



DISINFECTING EQUIPMENT



HQ/SQ
SALT CHLORINATOR

HQ/SQ SALT CHLORINATOR

DISINFECTING EQUIPMENT

HQ/SQ salt chlorinator improves your pool water quality by using harmless table salt, instead of using harsh chemicals, it is reliable, low maintenance, much more safety to health. Easy and simple programming and fully automatic operation lets you enjoy a relaxed swimming time.

Salt chlorinators are an alternative means of sanitizing your pool with chlorine by electrolysis process. The electrolysis process is achieved by passing the salty water through an electrolytic cell, sodium chlorine in the water is converted into chlorine to achieve pool water disinfection.



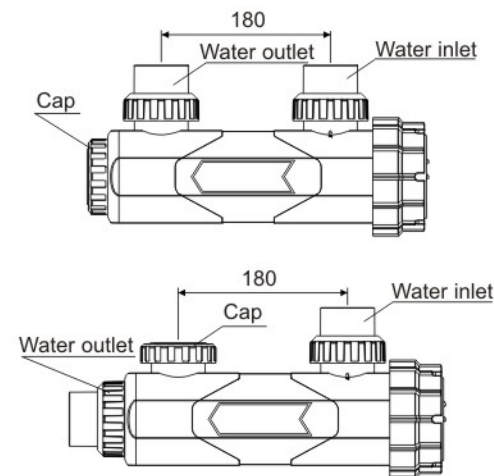
Features:

- Self clean function: by reverse the polarity automatically, which prevents calcium from accumulating and therefore prolong the cell's lifetime.
- Six different chlorine output control: easy adjustment of chlorine level, to meet demand of different time, this will save energy and environment friendly.
- HQ salt chlorinators are equipped with timer for pump and timer for underwater light.
- Smart cooling: the cooling intensity can be adjustment according to the temperature inside the control box.
- Protect from no adequate water causing the generator or cell destroyed.
- Two optional outlets make the installation more convenient.
- Overheat protection: prolong the control system life span.
- Detachable titanium panels are easy to install, clean and maintain.
- Alarm system: automatic protection for your system and pool if over-salting occurs or salt level is too low.
- Temperature sensor could be changed separately, reduce the maintenance cost.



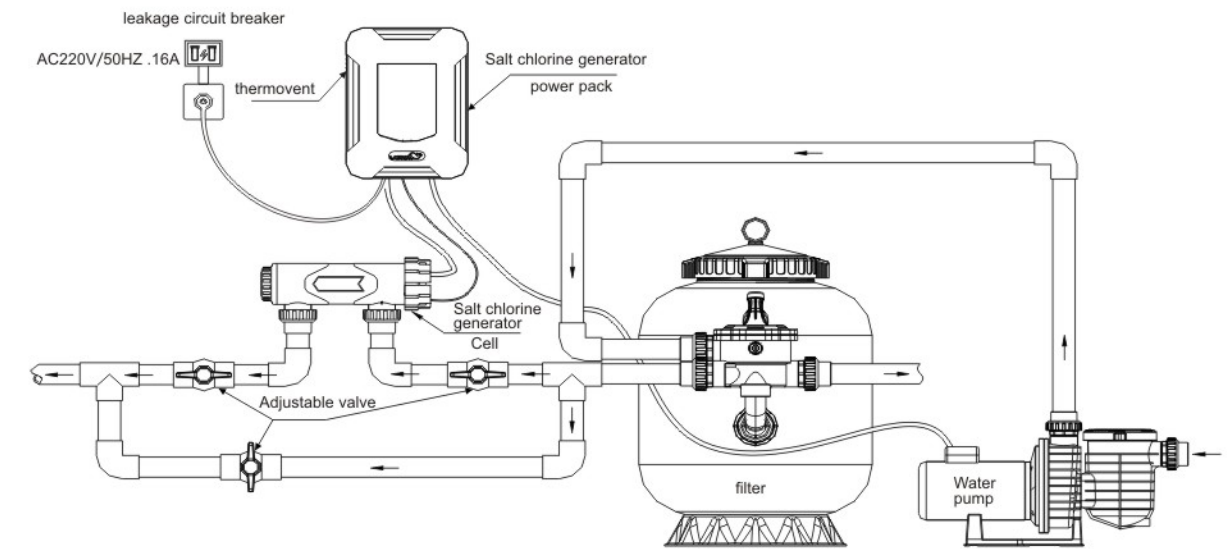
HQ salt chlorinator control panel

Humanized design of two outlets



Titanium panels with fast, efficient and stable chlorine output

- Titanium panels with coating enable to generator chlorine fast, efficiently and stably.
- Cell housing is made of high strength and Corrosion-resistant PC, which prolong the life time.
- Detachable titanium panels are easy to install, clean and daily maintain.
- Two optional outlets make installation more convenient.



HQ salt chlorinators are equipped with timers for pump and underwater light.

Model	Electrolytic cell dimensions LxWxH (mm)	Max Chlorine Output (g/h)	Voltage (V)	Total power (W)	Pump power (Max)	Light power (Max)	Max Pool Volume (m ³)
HQ 20	365x260x140	16	AC220~240V	1.70KW	1.5KW/6.8A	AC12V/100W	68
HQ 30	365x260x140	25	AC220~240V	1.75KW	1.5KW/6.8A	AC12V/100W	105
HQ 40	365x260x140	33	AC220~240V	1.80KW	1.5KW/6.8A	AC12V/100W	140
HQ 50	365x260x140	42	AC220~240V	1.85KW	1.5KW/6.8A	AC12V/100W	175
SQ 20	365x260x140	16	AC220~240V	0.25KW	----	----	68
SQ 30	365x260x140	25	AC220~240V	0.25KW	----	----	105
SQ 40	365x260x140	33	AC220~240V	0.25KW	----	----	140
SQ 50	365x260x140	42	AC220~240V	0.25KW	----	----	175

Note: • In practice, the local pool standards and professional habits should be considered, and the adjusting allowance of 20-30% should be reserved.
• For outdoor pool, cyanuric acid(stabilizer) should be added to pool water, the ideal range for cyanuric acid is 25-50ppm when used.