

Vacuum/Pressure Operation, single-stage

Technical Features

Maintenance-free through external permanently greased bearings, non-contacting impellers and fan-cooled motors

Environmentally safe through oil-free compression, low energy consumption and low noise level

User-friendly through robust yet lightweight construction of all sizes due to die cast aluminum, through vertical and horizontal mounting position and suited for variable speed control

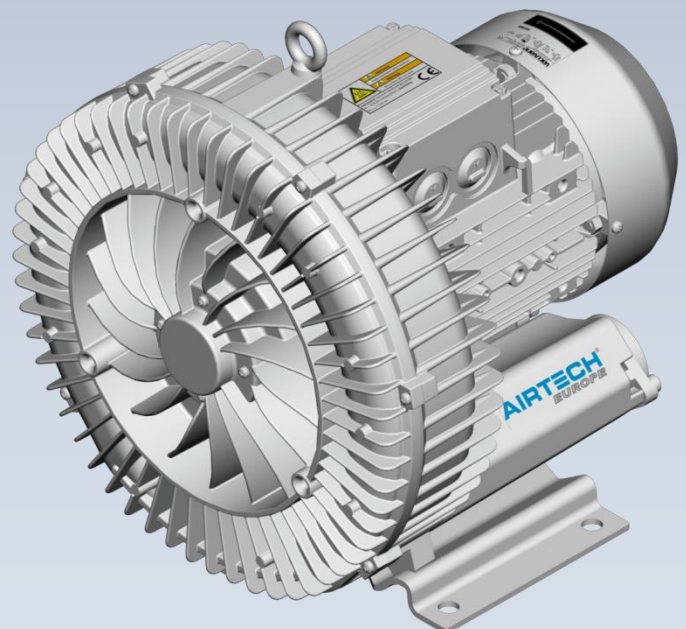
Worldwide usable through 50/60Hz wide voltage range motors with insulation class F and type of protection IP55, as well as built-in overheat protection and CE, UL and CSA certification

Customized for your specific needs and applications

ASC-Series,

ASC0140-1M

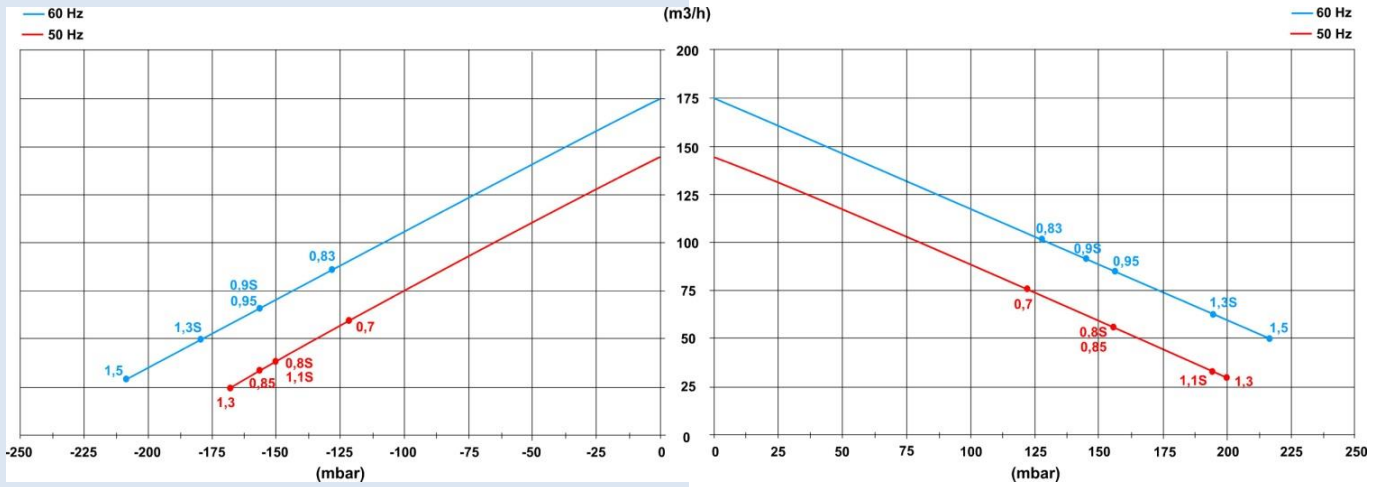
AIRTECH ASC side channel blowers are dynamic blowers that transfer kinetic energy to the medium agent by contactless rotating impellers. The gas is drawn in through a built-in silencer and then the energy transfer is taking place repeatedly in the blower housing. At the discharge side the gas is wiped off at the interrupter and discharged through a second built-in silencer. The energy transfer is achieved in single-stage version as well as two-stage version with two separate impellers for higher differential pressures.



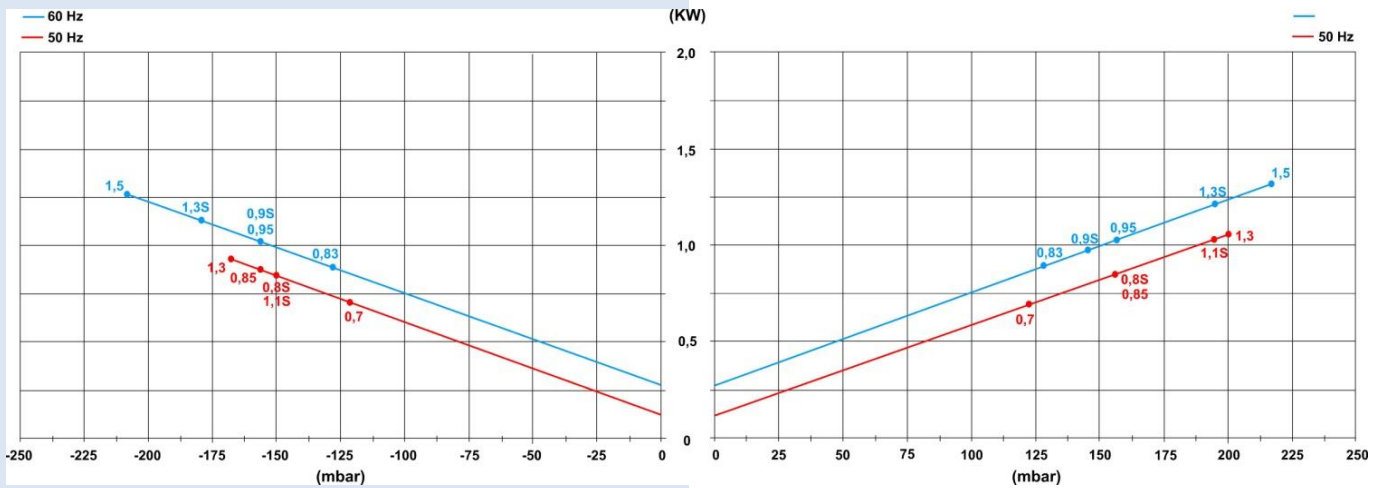
Vacuum Operation

Pressure Operation

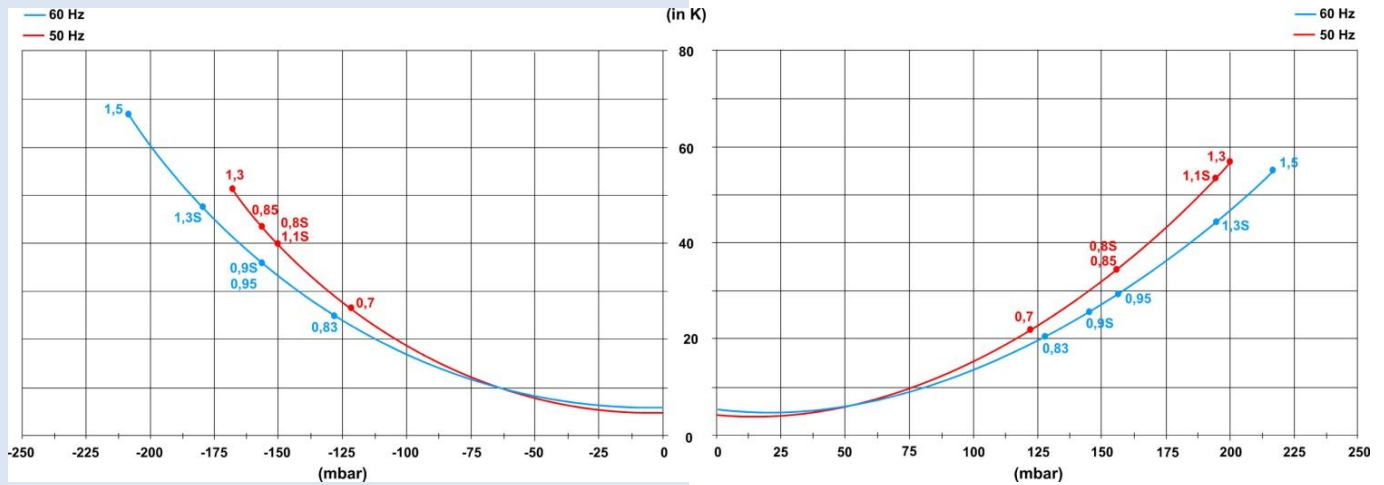
Suction air flow



Power requirement on the blower shaft



Temperature rise on the exhaust air



Curves are valid for continuous operation; medium: air at 15°C, measured at inlet port and 1013 hPa (mbar abs.) atmospheric backpressure, Tolerance: ± 10%; ambient temperature: -25° to +40°C

Curves are valid for continuous operation; medium: air at 15°C, measured at inlet port and 1013 hPa (mbar abs.) atmospheric pressure, Tolerance: ± 10%; ambient temperature: -25° to +40°C

Side channel blower single stage, TEFC

Type	kW	Hz	m ³ /h	hPa (mbar) ¹⁾	V ²⁾	A	dB(A) ³⁾	kg
ASC0140-1MT700-6	0,7	50	140	-120 / 120	200-240 Δ / 345-415 Y	3,8 Δ / 2,2 Y	63	13
	0,83	60	175	-130 / 130	220-275 Δ / 380-480 Y	3,75 Δ / 2,15 Y	64	13
ASC0140-1MA800-1	0,85	50	140	-150 / 160	230	5,2	63	15
	0,95	60	175	-160 / 140	230	5,8	64	15
ASC0140-1MT850-6	0,85	50	140	-160 / 160	200-240 Δ / 345-415 Y	4,2 Δ / 2,4 Y	63	16
	0,95	60	175	-160 / 160	220-275 Δ / 380-480 Y	4,0 Δ / 2,3 Y	64	16
ASC0140-1MS111-5	1,1S	50	140	-150 / 190	115 / 230	14,6 / 7,3	63	16
	1,3S	60	175	-180 / 190	115 / 230	16,6 / 8,3	64	16
ASC0140-1MA111-1	1,1S	50	140	-150 / 190	230	7,3	63	16
	1,3S	60	175	-180 / 190	230	8,3	64	16
ASC0140-1MT131-6	1,3	50	140	-170 / 200	200-240 Δ / 345-415 Y	5,7 Δ / 3,3 Y	63	17
	1,5	60	175	-210 / 220	220-275 Δ / 380-480 Y	5,7 Δ / 3,3 Y	64	17

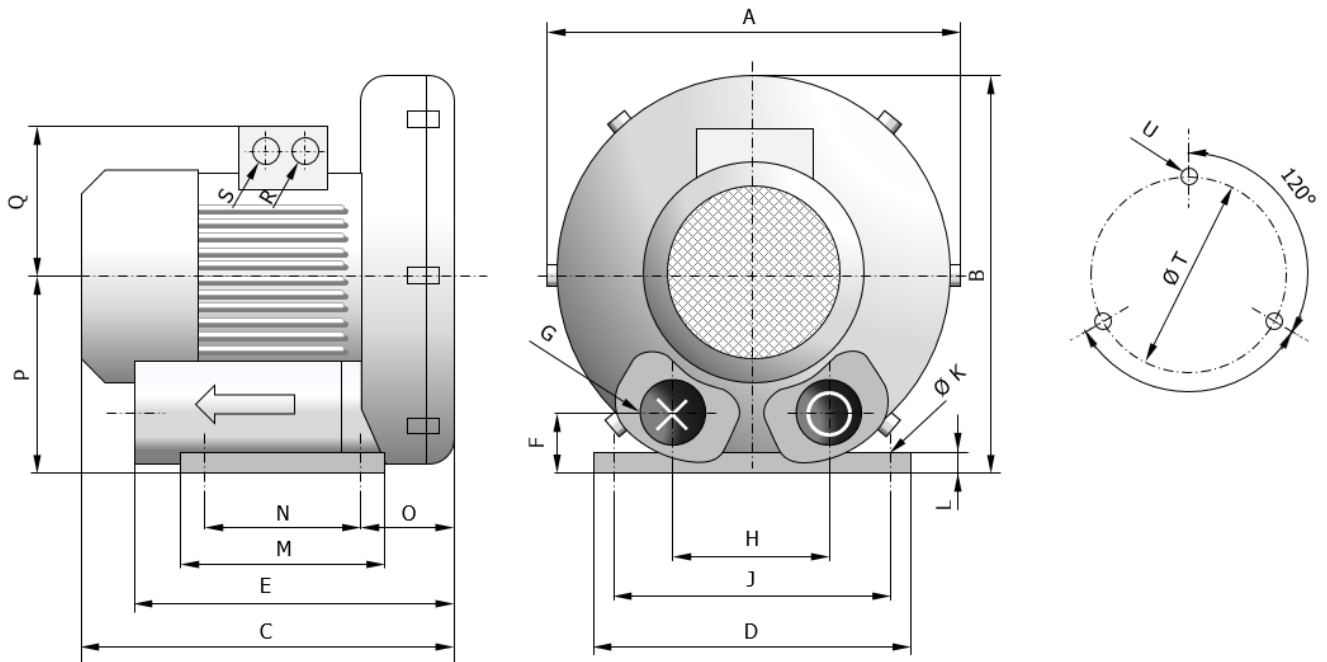
1) Relief valves are available for limiting differential pressure

2) Other voltages are available on request

3) Noise level measurement acc. to EN ISO 3744 at a distance of 1m with hoses connected

Type	Hz	V ²⁾	Tol.
ASCT...-1	50	185-225 Δ / 320-390 Y	+/- 5%
	60	200-240 Δ / 345-415 Y	+/- 5%
ASCT...-5	50	500 Δ	+/- 5%
	60	575 Δ	+/- 5%
ASCT...-6	50	200-240 Δ / 345-415 Y	+/- 5%
	60	220-275 Δ / 380-480 Y	+/- 5%
ASCT...-7	50	345-415 Δ / 600-720 Y	+/- 5%
	60	380-480 Δ / 660-720 Y	+/- 5%
ASCA...-1	50	230	+/- 5%
	60	230	+/- 5%
ASCS...-5	50	115/230	+/- 5%
	60	115/230	+/- 5%

Dimensions



Dimensions in mm

Typ / Type	A	B	C	D	E	F	G	H	J	K	L	M	N	O	P	Q	R	S	T	U
ASC0140-1MT700-6	285	302	269	255	240	46	G 1½"	115	225	12	3	130	95	75	154	120	M25 x 1,5	M16 x 1,5	174	M6 x 15
ASC0140-1MA800-1	285	302	292	255	240	46	G 1½"	115	225	12	3	130	95	75	154	120	M25 x 1,5	M16 x 1,5	174	M6 x 15
ASC0140-1MT850-6	285	302	292	255	240	46	G 1½"	115	225	12	3	130	95	75	154	120	M25 x 1,5	M16 x 1,5	174	M6 x 15
ASC0140-1MA111-1	285	302	292	255	240	46	G 1½"	115	225	12	3	130	95	75	154	120	M25 x 1,5	M16 x 1,5	174	M6 x 15
ASC0140-1MS111-5	285	302	292	255	240	46	G 1½"	115	225	12	3	130	95	75	154	120	M25 x 1,5	M16 x 1,5	174	M6 x 15
ASC0140-1MT131-6	285	302	292	255	240	46	G 1½"	115	225	12	3	130	95	75	154	120	M25 x 1,5	M16 x 1,5	174	M6 x 15

AIRTECH[®]
EUROPE



AIRTECH[®]
EUROPE

AIRTECH Europe GmbH
Pfaffenpfad 5
D – 97440 Werneck

Industry and Application

- **Your distinct application**
- Pneumatic Conveying Industry
- Electrical and Electronic
- Engineering
- Plastic Industry
- Material Handling
- Packaging
- Environmental Engineering
- Food & Beverage
- Printing & Paper
- Wood Working
- Textile
- Medical



HPE Pressure & Vacuum Technology
C. dels Amics d'Argentona, 40
ES – 08310 Argentona (Barcelona)