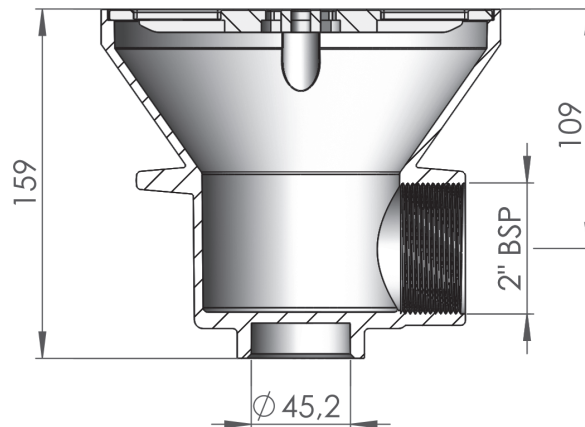


► MAIN DRAIN CONCRETE POOL Ø180



Complies with Standards  
EN 16582-1




PRODUCT DESCRIPTION

Circular main drain with side outlet. The grille of the main drain is provided with UV protected. Body and grille in white ABS. Fixed grille with screws.

Recommendations:

- Water passing speed 0.5 m/seg.
- Maximum suction velocity 1.5 m/seg.
- Place minimum 2 main drains for pool.
- Minimum distance between drains: >2 m.

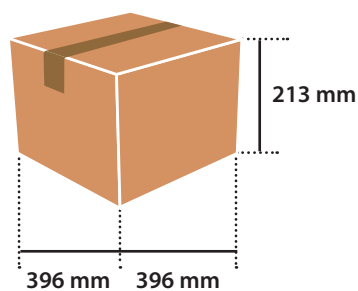
► TECHNICAL CHARACTERISTICS

CHARACTERISTICS	01467	06583
Thread type	EU	NTP
Side connection	2"	2"
Maximum flow rate	13 m <sup>3</sup> /h	13 m <sup>3</sup> /h
Swimming pool	Concrete	Concrete
Colours	   	

► LOGISTICS

PALLETIZED AND PACKAGING	
Standard box sizes (mm)	396 x 396 x 213
Units / Standard box	4
Volume / Standard box (m <sup>3</sup> )	0,035
Weight / Standard box (Kg)	2,82
Pallet sizes (mm)	1000 x 1200 x 2400
Units / Pallet	216
Volume / Pallet (m <sup>3</sup> )	2,227
Weight / Pallet (Kg)	160,84

► STANDARD BOX



► PALLET

