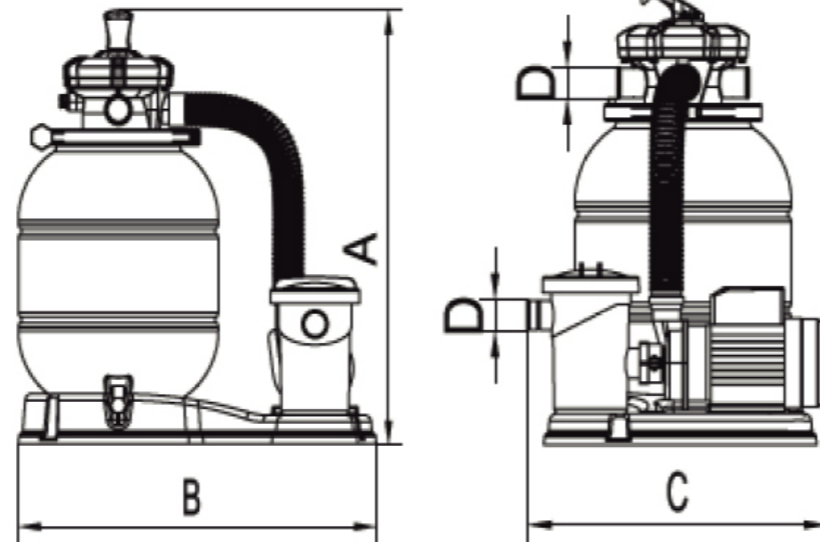
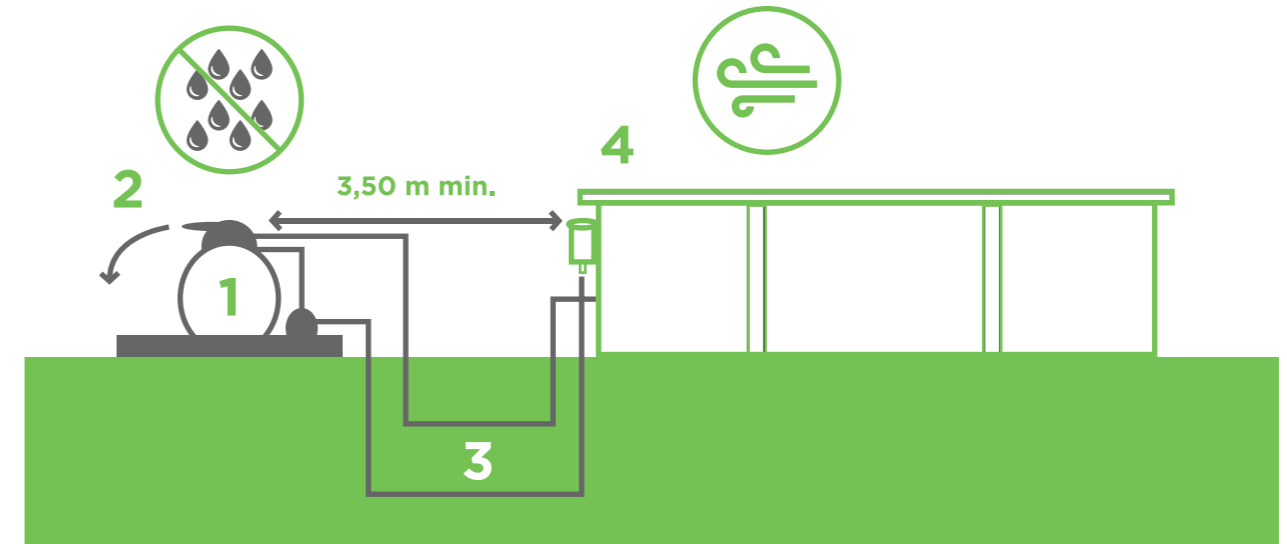


Samoa



FILTER PREVISIONS



SAMOA filtration systems are the ideal solution for above ground pools. Easy to assembly and operate, quiet and reliable.

The filter range features a one-piece blow molded body with no joints. It is made of HDPE plastic that is weather and chemical resistant. The filter assembled on a plastic base with a Fiji pump and all the necessary accessories.

Samoa is available on 300mm/12" and 400mm/16" filter tanks.

An aesthetic 1,25" - 5 way multiport top mount valve is included. The design of the valve makes it reliable on all the working conditions.

Fiji pump is available from 0,18Hp through 0,24Hp up to 0,30Hp with single phase motors in 230V and 50Hz.

A pre-filter prevents the entry of any foreign bodies which could cause damage to the hydraulic parts of the pump.

The motors are supplied with the motor pump unit and have been protected with IP-55 protection to hold hot atmospheres and high humidity levels.

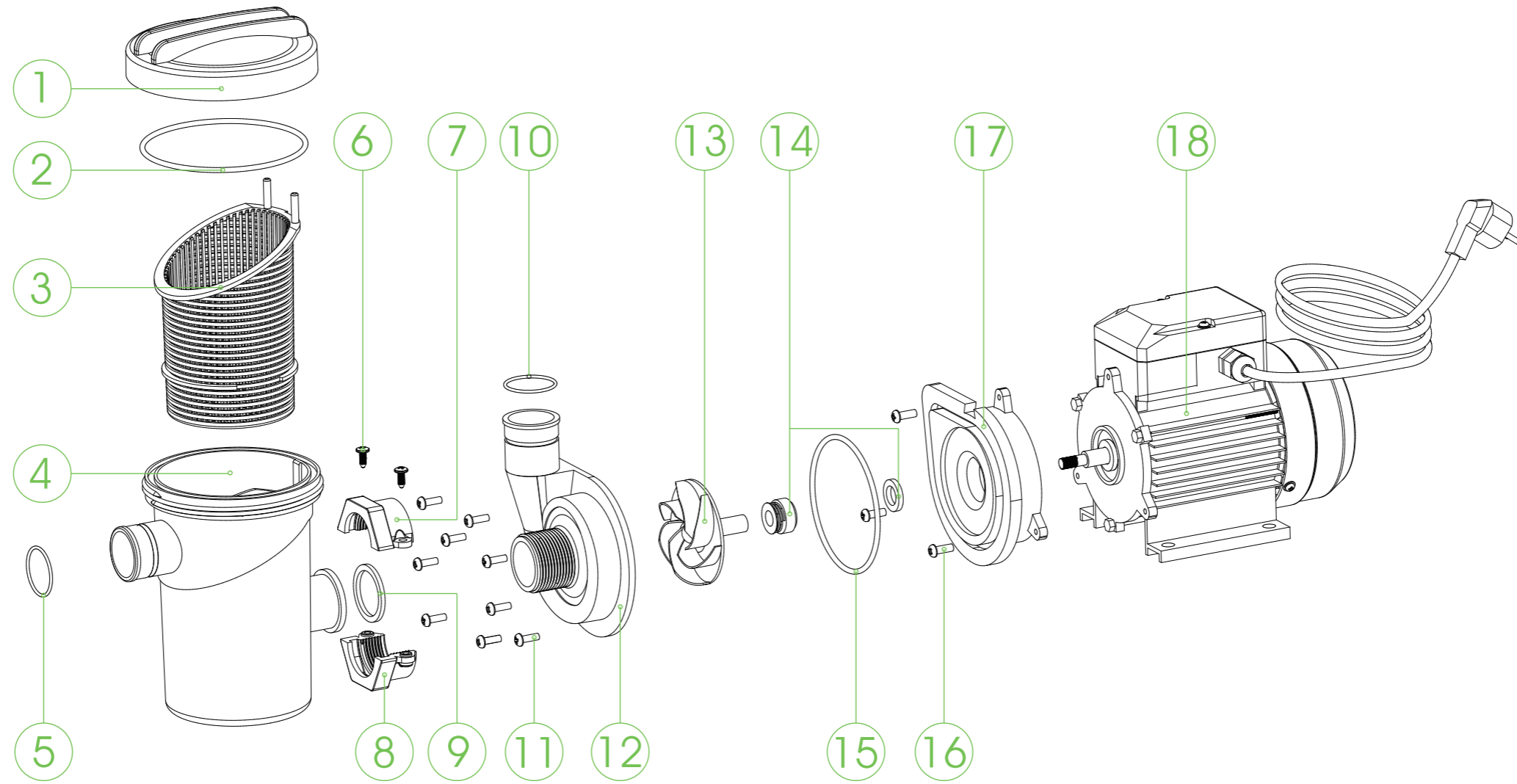
Fiji pumps are "GS" certified.

Samoa filtration system is CE certified by SGS.

Model		SAMOA 300	SAMOA 301	SAMOA 320	SAMOA 400
Code		T615-300	T615-301	T713	T616
Filter Dia.	mm	300	300	320	400
Pump	Hp/V /Hz	0.18/230 /50	0.24/230 /50	0.24/230 /50	0.32/230 /50
MPV		5ways /1.25"	5ways /1.25"	5ways /1.25"	5ways /1.25"
Flow Rate	m ³ /h	3	4	4	6
Filtration Speed	m ³ /h /m ²	42	56	50	48
A	mm	600	600	600	710
B	mm	540	540	540	590
C	mm	420	420	420	420
D	mm	38	38	38	38
Max Working Pressure	KPa	80	80	80	80
Test Pressure	KPa	110	110	110	110
Sand Filling	Kg	20	20	28	40
Grain Size	mm	0.4 - 0.8	0.4 - 0.8	0.4 - 0.8	0.4 - 0.8

- 1 FILTER GROUP**
The filter group and especially the electric pump should necessarily be located at a distance of at least 3.5 metres from the bowl (electricity regulation NFC-100).
 - 2 WATER EVACUATION**
Maintenance and wintering of the filter requires water evacuation. The evacuation should be foreseen when installing the filter group.
 - 3 FILTER TUBE**
In the case you want to bury the filter tubes, these should be protected against risk of deterioration, by protecting them with a cover before burying them.
 - 4 POOL ORIENTATION**
The pool should be positioned so the skimmer is facing the prevailing winds. The skimmer is a very important element in the filter system and is always installed facing the prevailing winds. The optimum filtering of the pool water depends on the suction capacity and position of the skimmer.
- ⚠** The filter group should be located below the level of the pool and ideally at floor level of the pool, otherwise there is a risk of the pump becoming deactivated. The filter pump should be protected from splashing of water, from floods, and from humidity, in a dry, well ventilated place. Otherwise, the metallic pieces and the pump motor may become deteriorated.

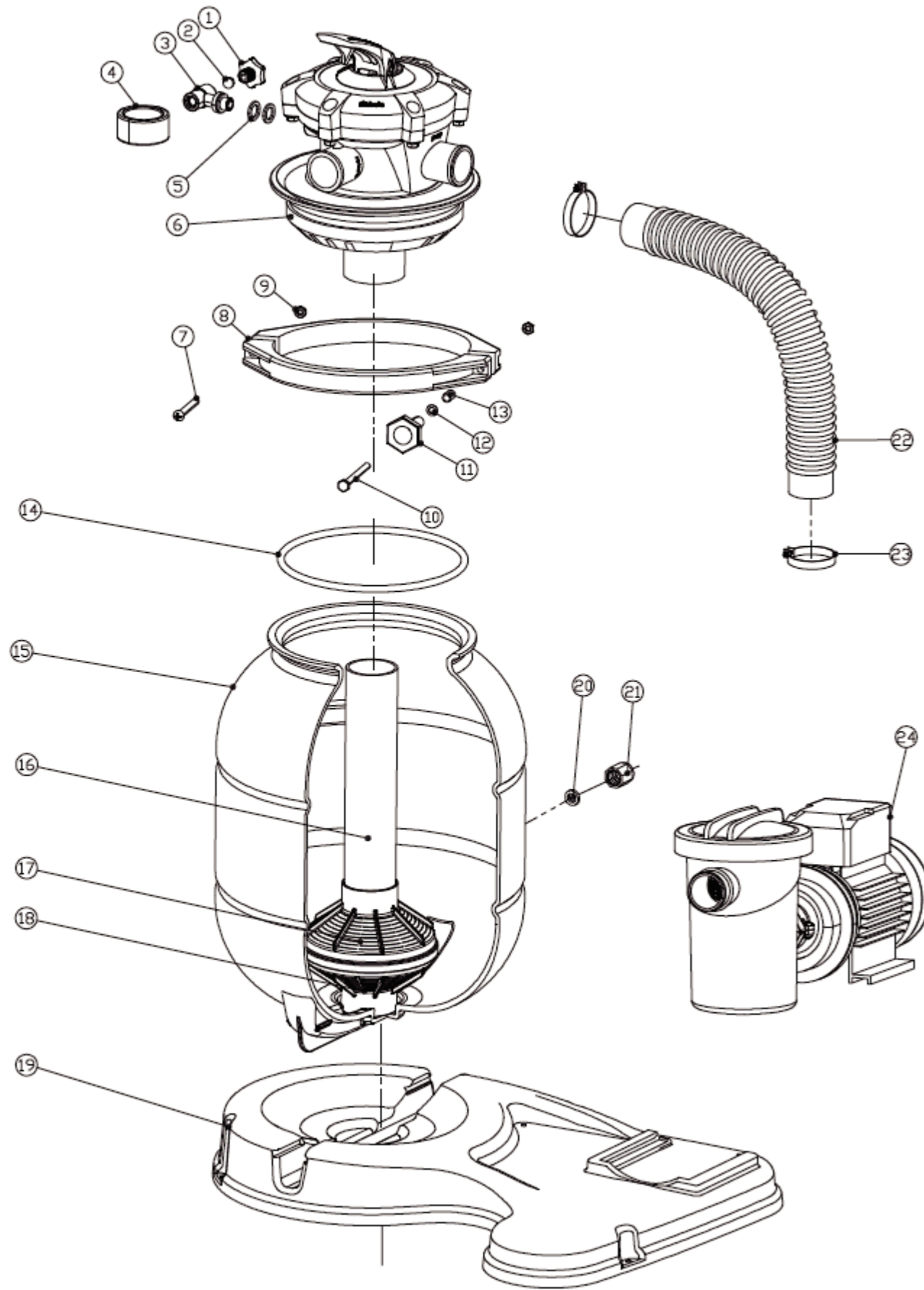
Fiji Pump Spare Parts List



Code	Spare Parts Code	Description	Quantity
1	04010600-0001	Transparent cover	1
2	04010600-0002	O-ring Ø110*3.5	1
3	04010600-0012	Pre-filter basket	1
4	04010600-0010	Pre-filter basket housing	1
5	04010600-0005	O-Ring	1
6	04010600-0007	Plastic self-tapping screws	2
7	04010600-0008	Half nut A	1
8	04010600-0009	Half nut B	1
9	04010600-0006	Flat washer	1
10	04010600-0031	O-Ring Ø37*2.7	1
11	04010600-0029	"+" tapping screw/big head	9
12	04010600-0016	The pump casing	1
13	04010601G-0001	Impeller for 04010601	1
	04010602G-0001	Impeller for 04010602	1
	04010603G-0001	Impeller for 04010603	1
14	04010600-0024	Mechanical seal	1
15	04010600-0030	O-Ring Ø95*3.5	1
16	04010600-0028	"+" Screw with round head	3
17	04010600-0017	Connection cover	1
18	04010601G-0100	Motor for 04010601	1
	04010602G-0100	Motor for 04010602	1
	04010603G-0100	Motor for 04010603	1

We reserve the right to change all or part of the features of the articles or contents of this document, without prior notice.

Spare Parts List for Samoa 300,301,400



Item	Spare Parts Code	Description	Qty	Remark
1	T9680-08A	M6 Square Bolt	1	
2	T5360-21 C	Rubber Gasket	1	
3	T5360-21A	Exhaust Body	1	
4	T5360-220	Pressure Gauge (0-1bar)	1	
5	T5360-21B	Gasket	2	
6	T5360-110	1.25" Top Mounted Valve	1	
7	T5360-1 6A	M6*45 Stainless Bolt	1	
8	T5360-080	Plastic Clamp	2	
9	T5360-1 6D	M 6 Stainless Nut	2	
10	T5360-1 6F	M6*80 Stainless Bolt	1	
11	T5360-070	Handle	1	
12	T5360-16C	D12*1.6 Stainless Gasket	1	
13	T5360-16B	D10*20 Stainless Tube	1	
14	T5360-16E	O Ring	1	
15	T5360-100	D300mm Filter Tank	1	Samoa 300/301
	T6160-010	D400mm Filter Tank	1	Samoa 400
16	T5360-09B	Hose 233mm	1	Samoa 300/301
	T5360-09A	Hose 318mm	1	Samoa 400
17	T5360-030	Top Collector cover	1	
18	T5360-040	Bottom Collector cover	1	
19	T6150-010	Base	1	
20	T5360-120	Rubber Gasket	1	Samoa 300/301
	T5360-120	Rubber Gasket	2	Samoa 400
21	T5360-050	Black Nut	1	
22	T9080-000	Hose Dia: 38mm 550mm	1	
23	T4080-000	Hose Clamps	6	
24	T615A-010	Pump (Fiji3, 125W)	1	Samoa 300
	T615B-010	Pump (Fiji4, 180W)	1	Samoa 301
	T615 D-010	Pump (Fiji6, 230W)	1	Samoa 400