

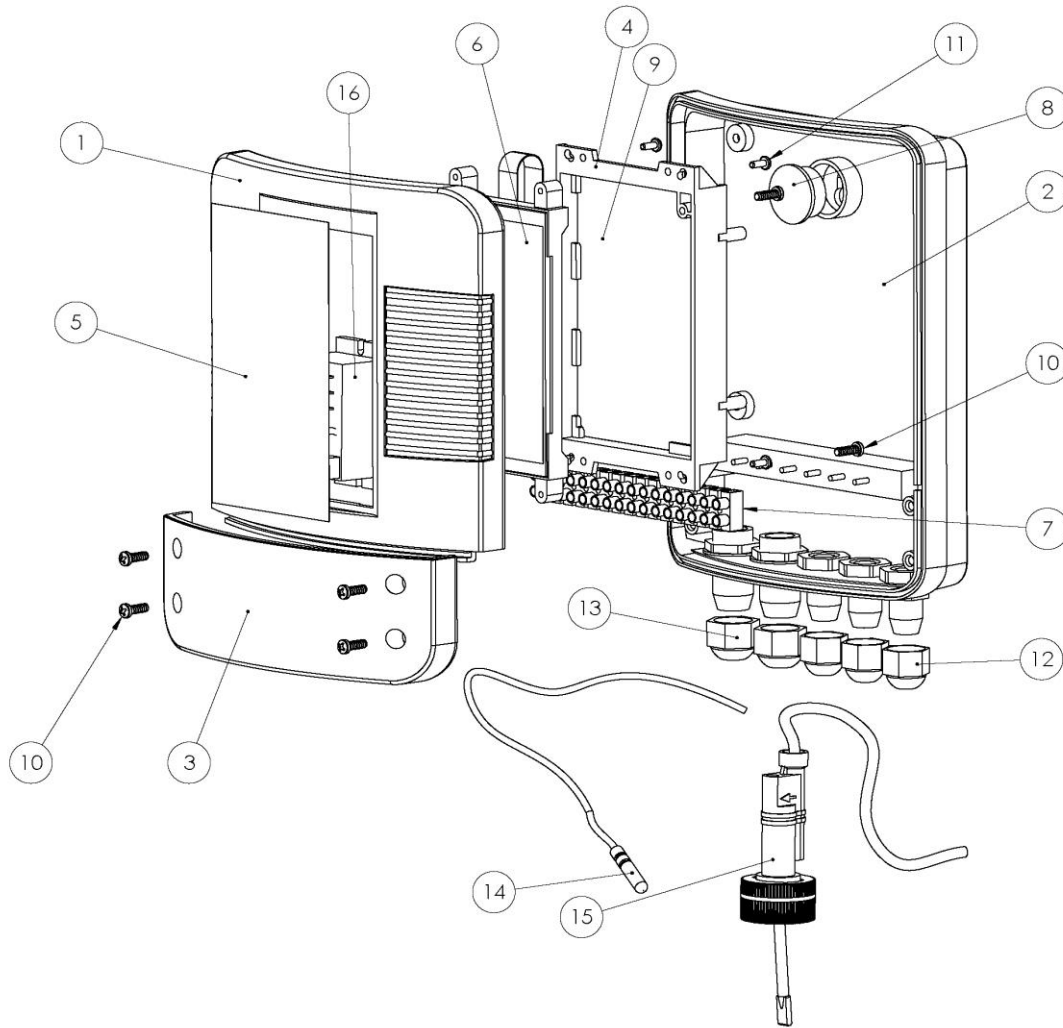
Heatsmart *plus*

SPARE PART LISTS



ELECRO
ENGINEERING

Heatsmart



Item No.:	Description:	Pcs/Unit:	Product Code:
1	PoolSmart Plus T/S Front Cover (Red)	1	Z-IM-SR-C-FC-TS
2	Solar Controller Enclosure	1	Z-IM-SR-C-ENC
3	PoolSmart Plus Access Cover (Red)	1	Z-IM-SR-C-AC-TS
4	Digital Controller Mounting Bracket	1	Z-IM-OC-DIG-MB
5	PoolSmart Plus Touchscreen Controller Overlay	1	Z-LAB-PS-PLUS
6	Touchscreen For BMS Digital Thermostat	1	Z-MIS-BMS-TS
7	12-Way 1.5mm ² Ensto Terminal	1	Z-MIS-TB1.5MM2
8	Solar Controller Enclosure Blanking Disc	1	Z-IM-SR-C-BD
9	PCB For BMS Digital Thermostat	1	Z-MIS-BMS-PCB
10	M4 x 25-mm Zinc Coated Pozi Pan Screw	8	Z-FIX-M4X25
11	M3 x 12 -mm FLG Pozi Zinc Coated	4	Z-FIX-M3X12-FLG
12	Black PG9 Cable Entry Gland	3	Z-CON-PG9BK
13	Black PG11 Cable Entry Gland	2	Z-CON-PG11BK + Z-CON-PG11NUT
14	NTC Temperature Sensor	1	X-NTC-HE
15	Flow Switch	1	U-FS-HE
16	Surface Mount Mini Relay	1	Z-MIS-SMMR