

SKIMMER 15 lts.

IMPORTANT: The instruction manual you are holding includes essential information on the safety measures to be implemented for installation and start-up. Therefore, the installer as well as the user must read the instructions before beginning installation and start-up.

▲ Keep this manual for future reference

To achieve optimum performance of the Skimmer, follow the instructions provided below:

▼ 1. General characteristics

Skimmers are primarily used to eliminate surface debris from the pool water. For this reason it is advisable to bear this in mind when building the pool to ensure that the skimmers are installed with their mouths facing the prevailing winds.

▼ 2. Installation

In order to select the number of skimmers which need to be installed in a pool, it is advisable to follow the following rule of thumb: 1 skimmer per 25 m² of pool water surface area, taking into account that the maximum flow rate through a skimmer should not exceed 5.000 l/h.

Generally speaking, in pools where there are 1 to 2 skimmers, these should be placed along the width of the pool at the deep end. In pools of 3 or more skimmers, they should be placed along the length of the pool. In all cases they should be positioned opposite the return inlets. (Fig. 1)

The installation should be carried out following the instructions in Figs. 2 and 3, depending on whether it is a concrete or prefabricated pool. To avoid air intake, great care must be taken to ensure the correct level of water is maintained.

To remove the cover and basket from the skimmer, bear in mind that they are assembled with a bayonet system. Do not pull brusquely upwards, first turn so that the two flat sides of the cover or basket match those of the body, and then gently pull upwards.

▼ 3. Pool cleaners

Skimmers can also be used for other functions including a connection point for the pool vac hose as in fig. 4.

To connect the pool cleaner to the skimmer, place the cover of the skimmer in the basket and insert the hose connection of the pool cleaner in the centre hole of the cover (Fig. 5). In order for the vac head connected to the skimmer to work properly you must previously ensure that the valve controlling the main drain suction has been slant.

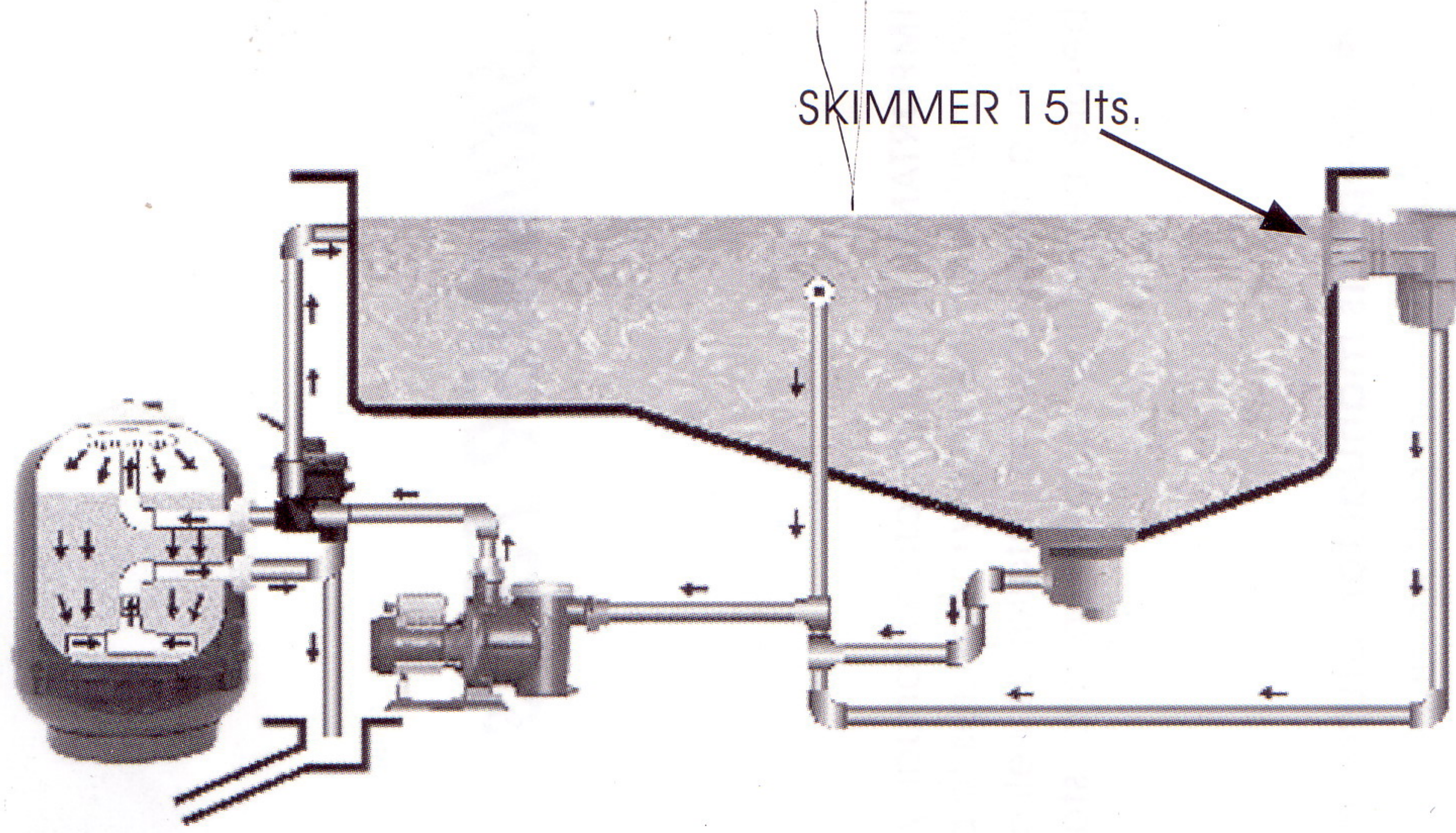
Should the pool contain more than one skimmer all the other skimmers should be closed off using the flow plug provided or cover the basket with the corresponding cover (Fig. 6).

Warning: In liner pools, shutting off the other skimmers and main drains could result in the vac head sticking to the liner.

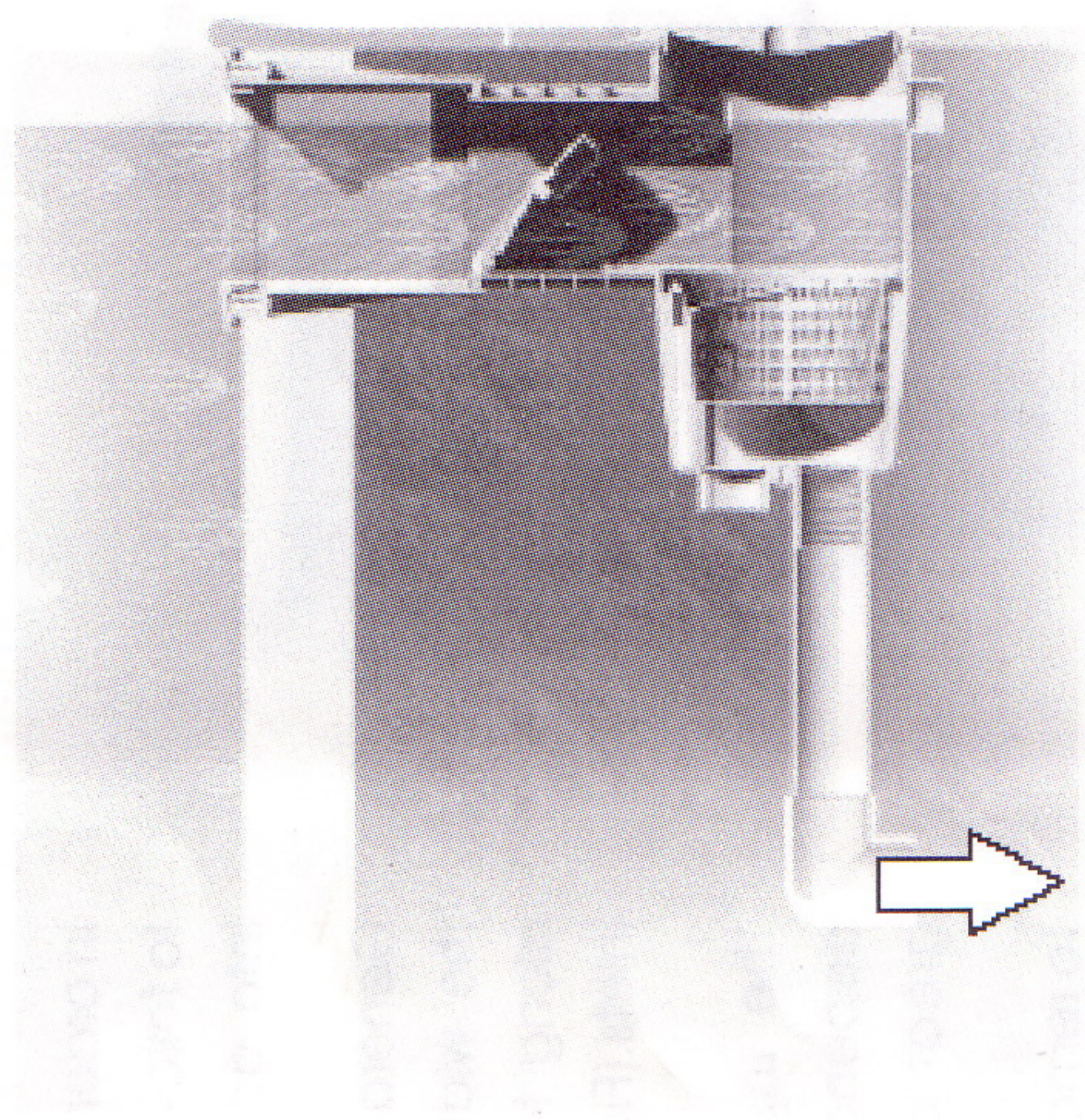
▼ 4. Safety warnings

- **The skimmer should be installed by a specialist technician.**
- **Do not place chlorine or bromide tablets in the skimmer basket.**

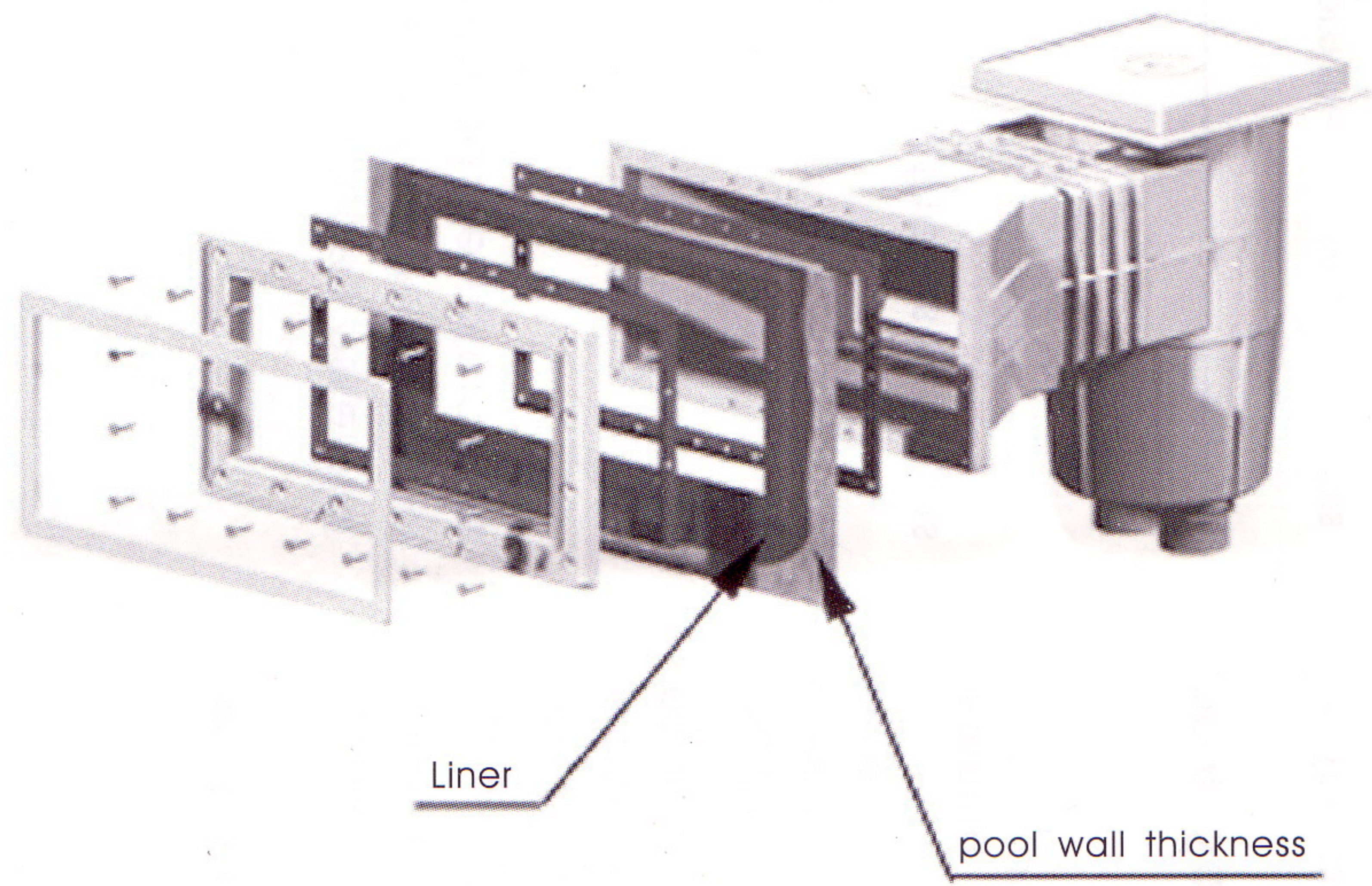
01



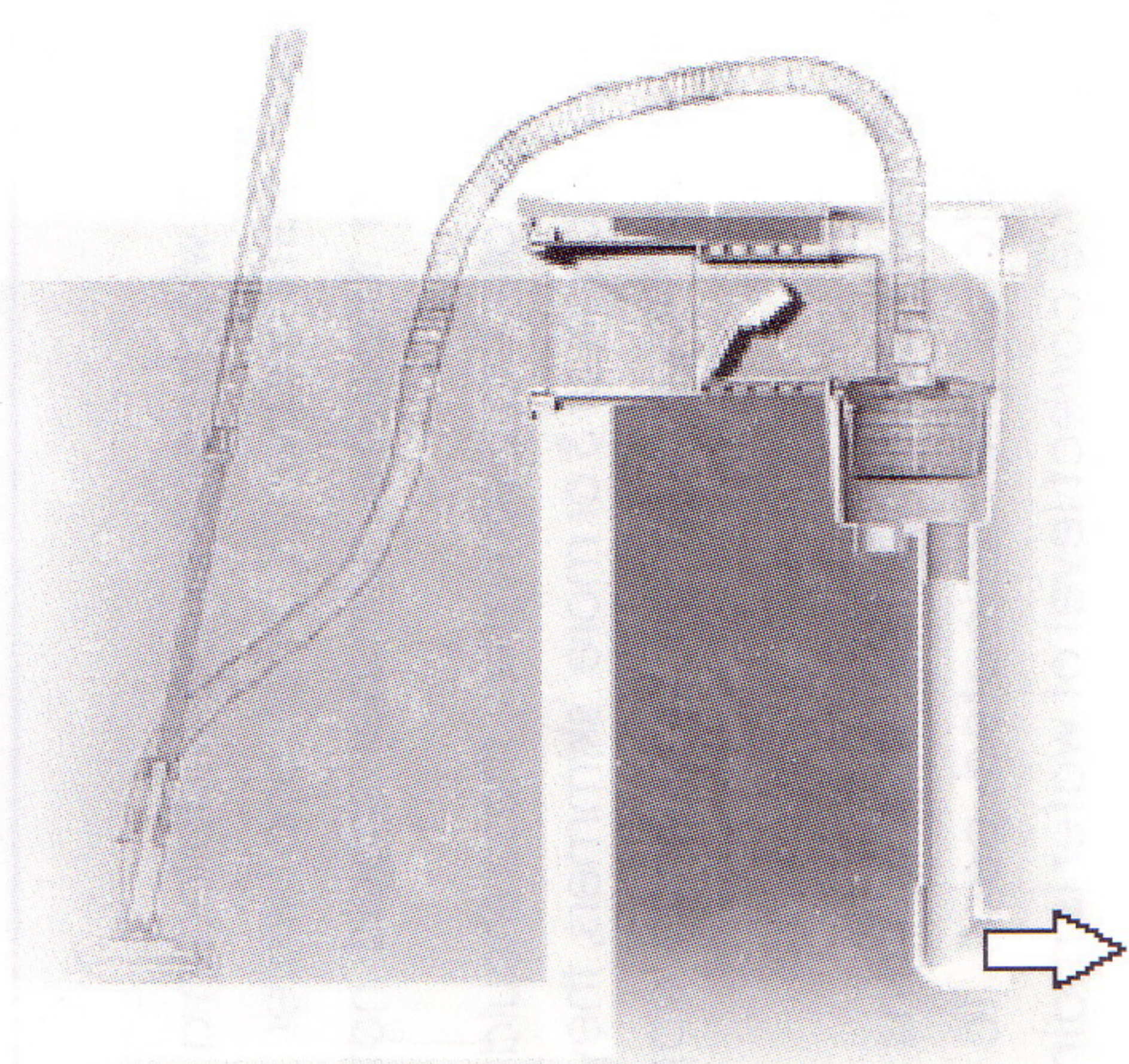
(Fig. 1)



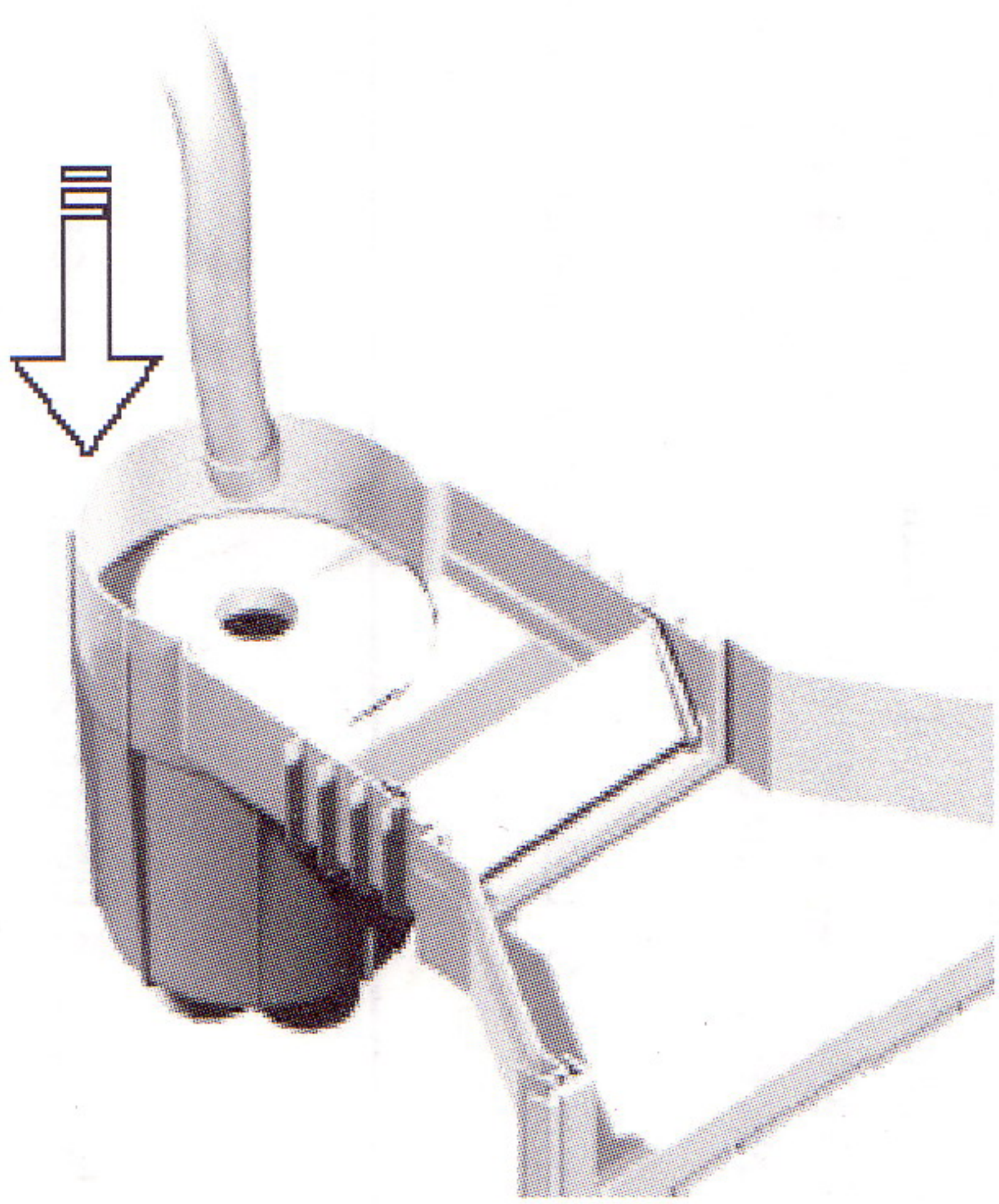
(Fig. 2)



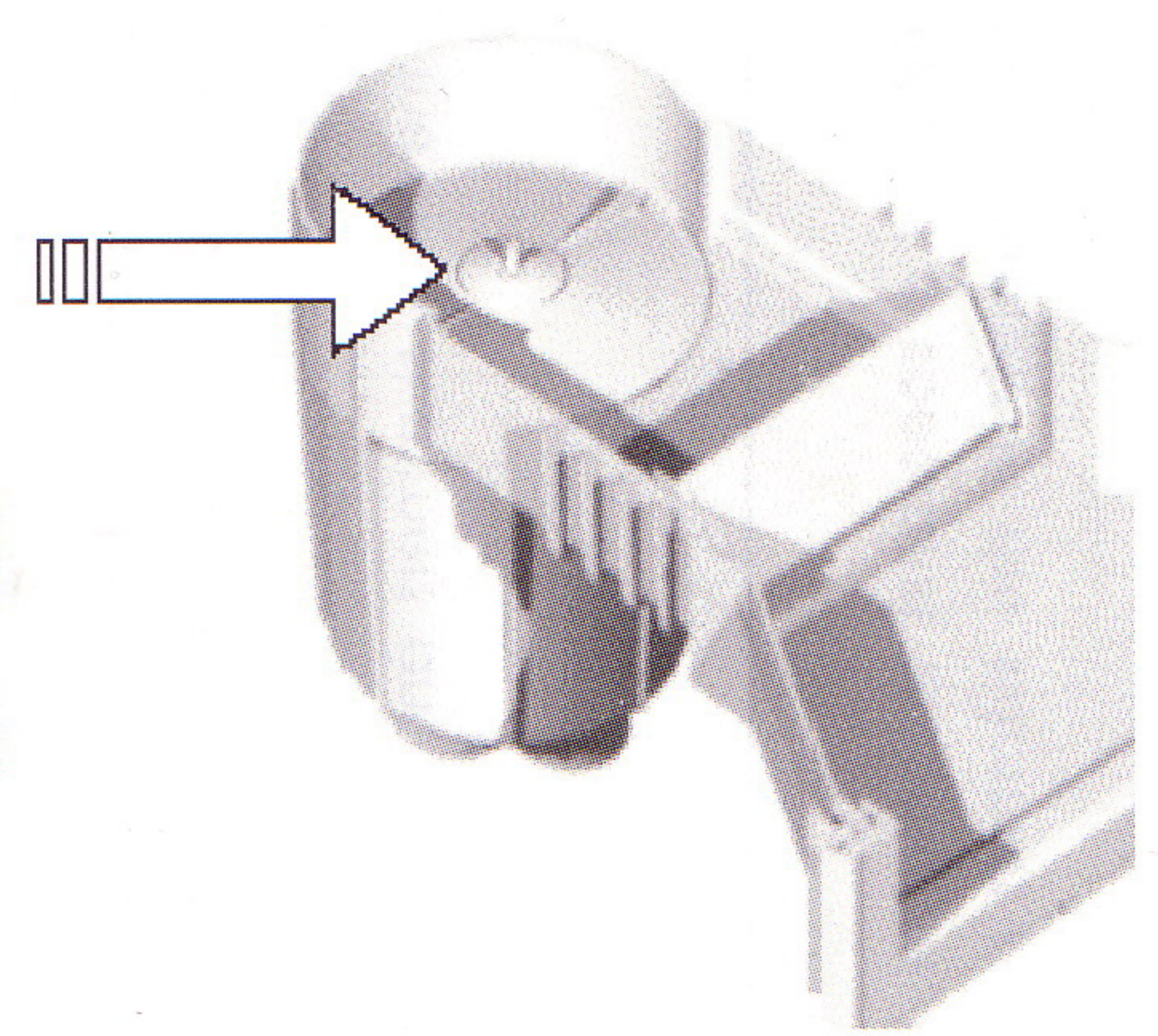
(Fig. 3)



(Fig. 4)



(Fig. 5)



(Fig. 6)