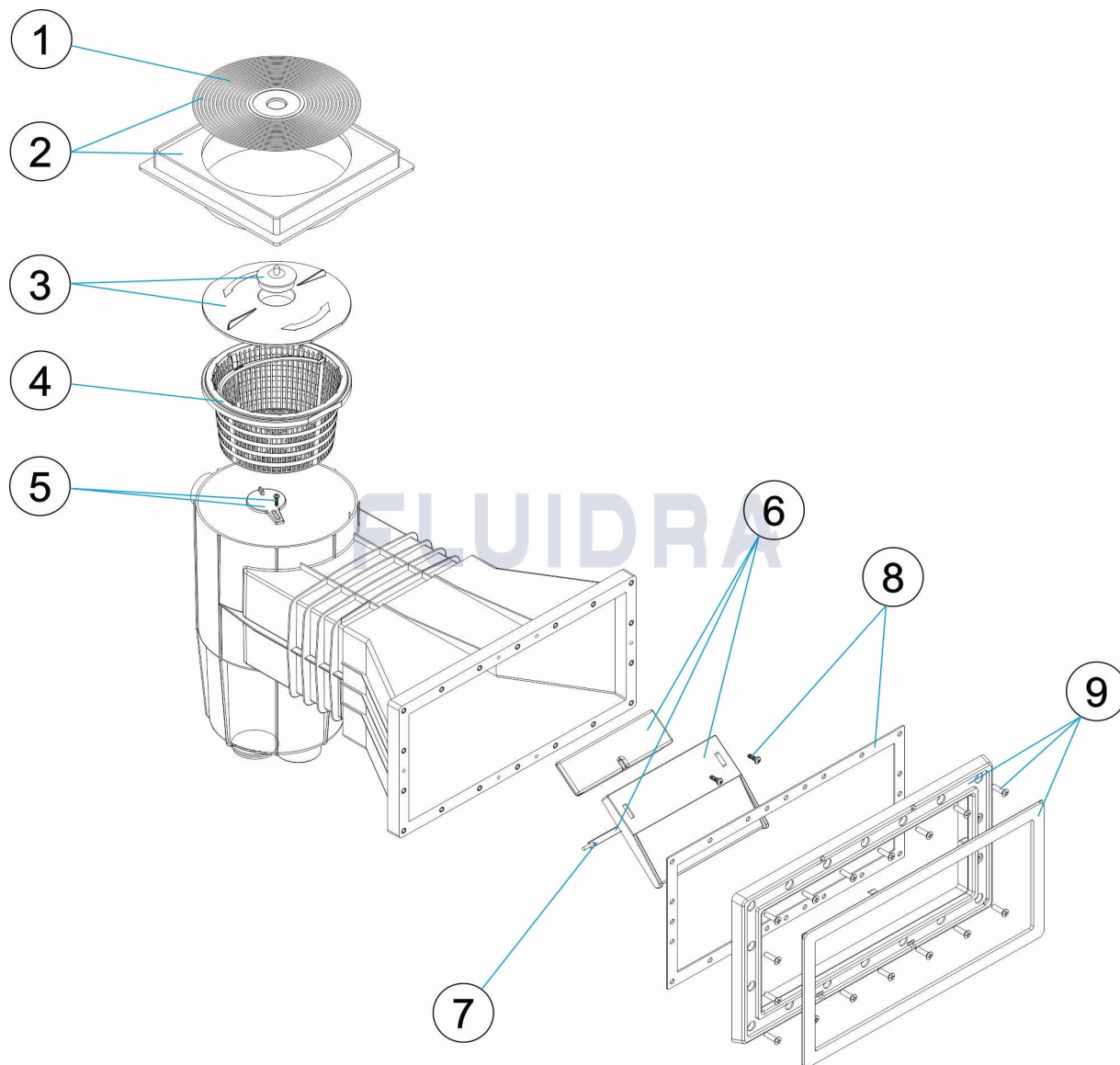


CODE **01464, 01464CL090, 01464CL129, 01464CL144**

DESCRIPTION: **SKIMMER 15L PP. B. EXTENSION SQUARE COVER**



POS	CODE	DESCRIPTION	QUANTITY	POS	CODE	DESCRIPTION	QUANTITY
1	4402010108	CIRCULAR SKIMMER LID		6	* 4402010072	FLAP RETAINING CLIP	
2	4402010106	SQUARE LID AND LID FRAME		7	4402010110	HINGE FLAP	
3	4402010104	VACUUM PLATE WITH PLUG		8	4402014101	LINER POOL GASKET	
4	4402010103	SKIMMER BASKET		9	* 4402010408	SKIMMER FRAME FOR LINER	
5	4402010102	KEYHOLE FLAP		9	* 4402010100	SKIMMER FRAME FOR LINER	
6	* 4402010101	FLAP RETAINING CLIP		9	* 4402010125	SKIMMER FRAME FOR LINER	
6	* 4402010026	FLAP RETAINING CLIP		9	* 4402010124	SKIMMER FRAME FOR LINER	
6	* 4402010030	FLAP RETAINING CLIP					

CODE **01464, 01464CL090, 01464CL129, 01464CL144**DESCRIPTION: **SKIMMER 15L PP. B. EXTENSION SQUARE COVER****OBSERVATIONS**

POS	CODE	OBSERVATIONS
6	* 4402010101	FOR: 01464 BLANCO / WHITE
6	* 4402010026	FOR: 01464CL090 BEIGE
6	* 4402010030	FOR: 01464CL129 GRIS / GREY
6	* 4402010072	FOR: 01464CL144 ANTRACITA / ANTHRACITE
9	* 4402010408	FOR: 01464 BLANCO / WHITE
9	* 4402010100	FOR: 01464CL090 BEIGE
9	* 4402010125	FOR: 01464CL129 GRIS / GREY
9	* 4402010124	FOR: 01464CL144 ANTRACITA / ANTHRACITE