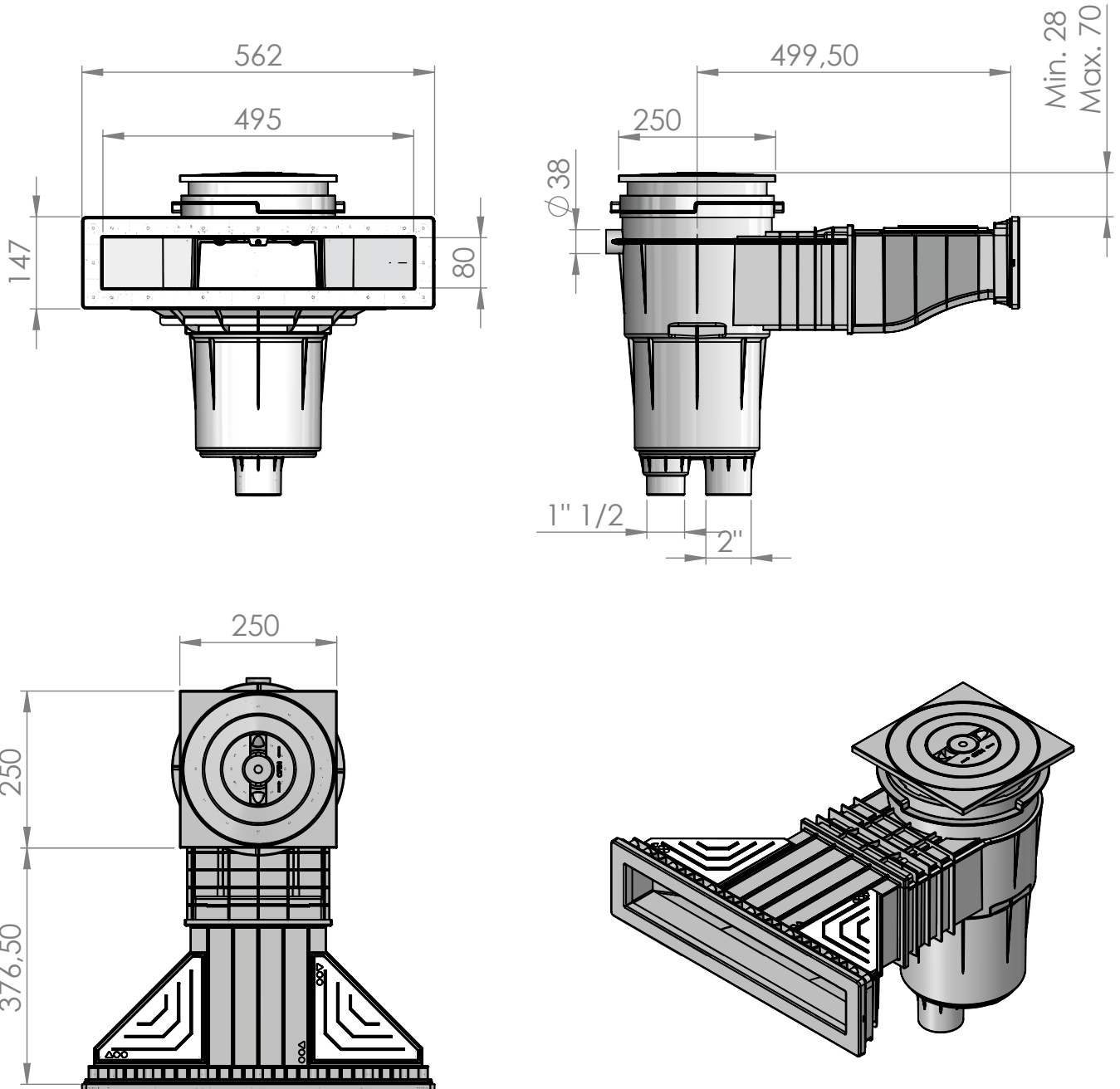


CODE: **56176**

DESCRIPTION: 17,5L SKIMMER / PP / SLIM / SQUARE TOP / WITH INSERTS



Maximum flow rate	7,5 m ³ /h
-------------------	-----------------------

Connections	1" 1/2 BSP and 2" BSP
-------------	-----------------------

Note: Units in mm