

# NOZZLESS FOR PREFABRICATED POOL



## INSTALLATION AND MAINTENANCE MANUAL

**IMPORTANT:** The instruction manual you are holding includes essential information on the safety measures to be implemented for installation and start-up. Therefore, the installer as well as the user must read the instructions before beginning installation and start-up.

One of the most important factors at the design stage of a swimming pool is the provision for an efficient and uniform recirculation of the pool water.

The specific function of the return inlets is to create a current within the pool using the return water from the filtration system.

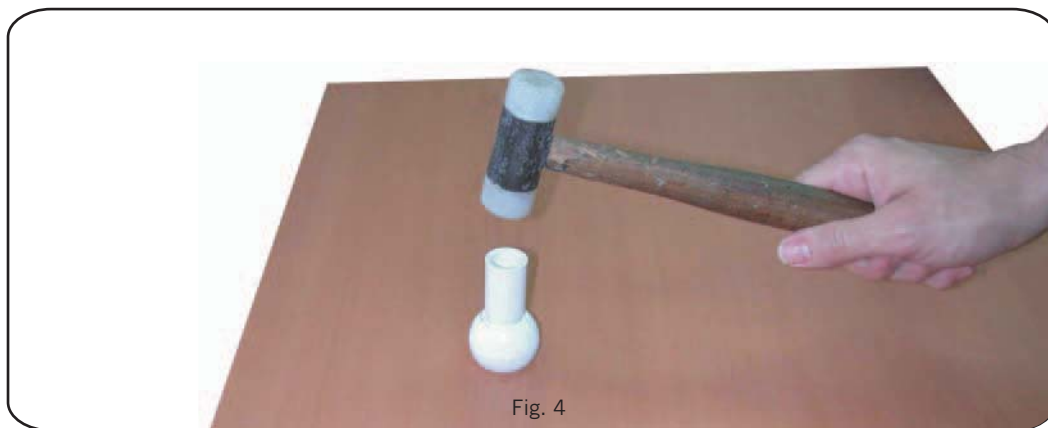
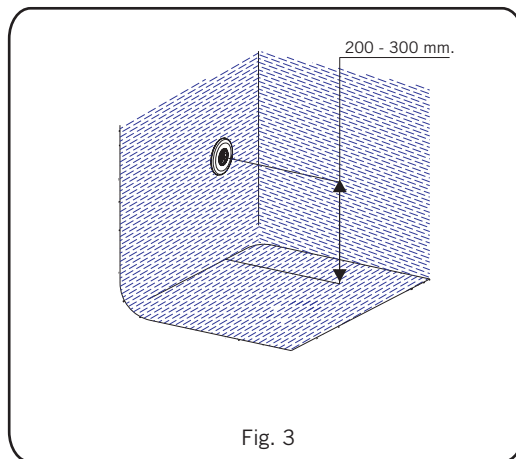
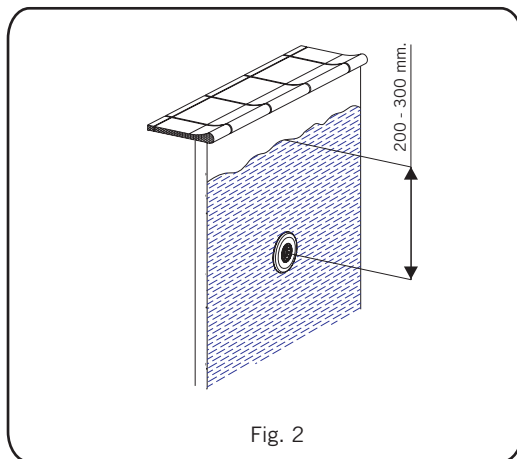
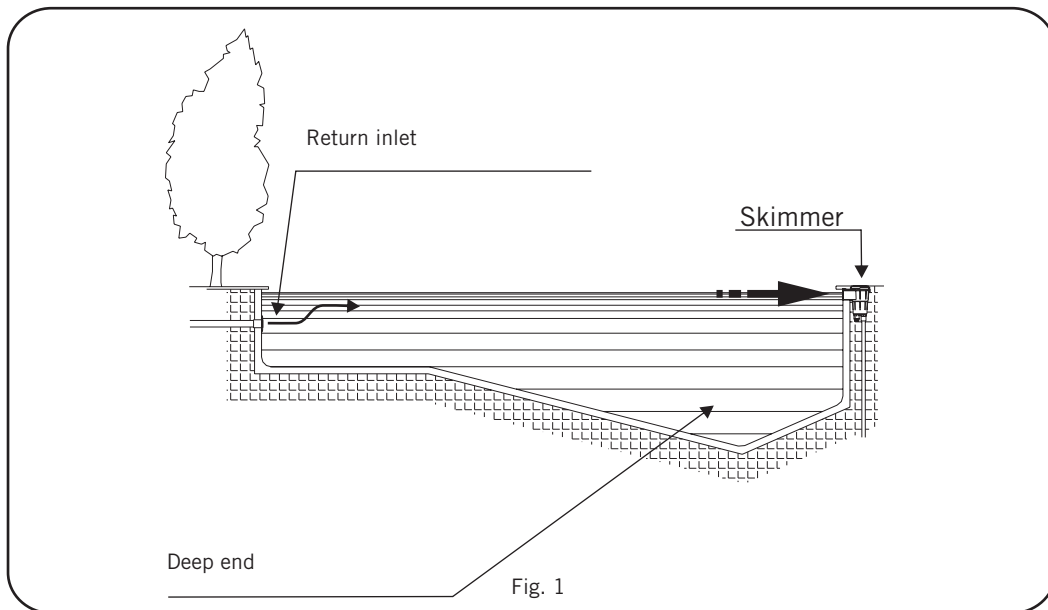
The type of pool and flow required will determine the number of inlets needed. The positioning of the inlets is also important so that a uniform circulation of water is created avoiding the possibility of dead spots.

In pools with skimmers (placed opposite the direction of the prevailing winds, figs. 1 & 2), the return inlets should be positioned either on the opposite wall or on the side walls.

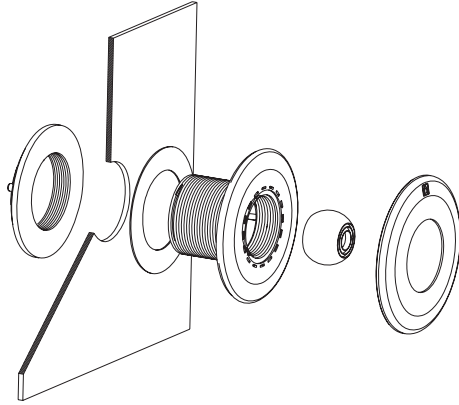
In those pools where an overflow channel has been installed, it is advisable to install the return inlets either in the bottom of the pool or in the lower part of the side walls. Fig 3

**IMPORTANT:** All new model return inlets are now supplied with the ball marked with a series of "knock-outs" at 14 mm, 20 mm and 25 mm thus enabling the required flow to be selected at the time of installation. A special tool is available which when used with a mallet will help remove the unwanted part(s) of the ball. (See figure 4)

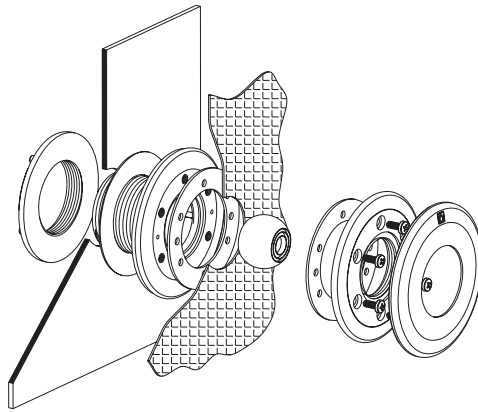
**N.B :** Remove the ball from the return inlet and carry out the "knock out" process on a flat surface.



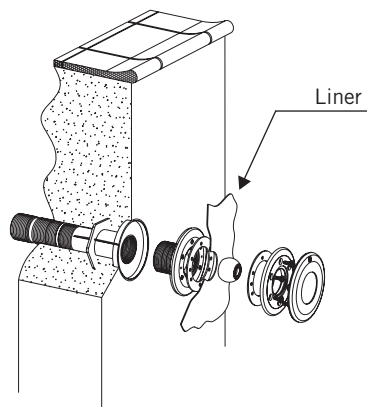
Prefabricated Polyester Pool Assembly



Prefabricated Pool with Liner Assembly



Assembly with threaded wall conduit (15663, 15664 and 15665) and Liner



## • TECHNICAL CHARACTERISTICS

Model according to required flow	
MODELS	
Ø	Prefabricated pool
14	2.200 l/h
20	4.500 l/h
25	7.000 l/h

**Made in EC**  
Sacopa, S.A.U.  
Pol. Ind. Poliger Sud – Sector I, s/n  
17854 Sant Jaume de Llierca (Spain)

ASTRALPOOL  
Avda. Francesc Macià, 38, planta 16  
08208 Sabadell (Barcelona) Spain

00330E201-03

• We reserve to change all or part of the articles or contents of this document, without prior notice