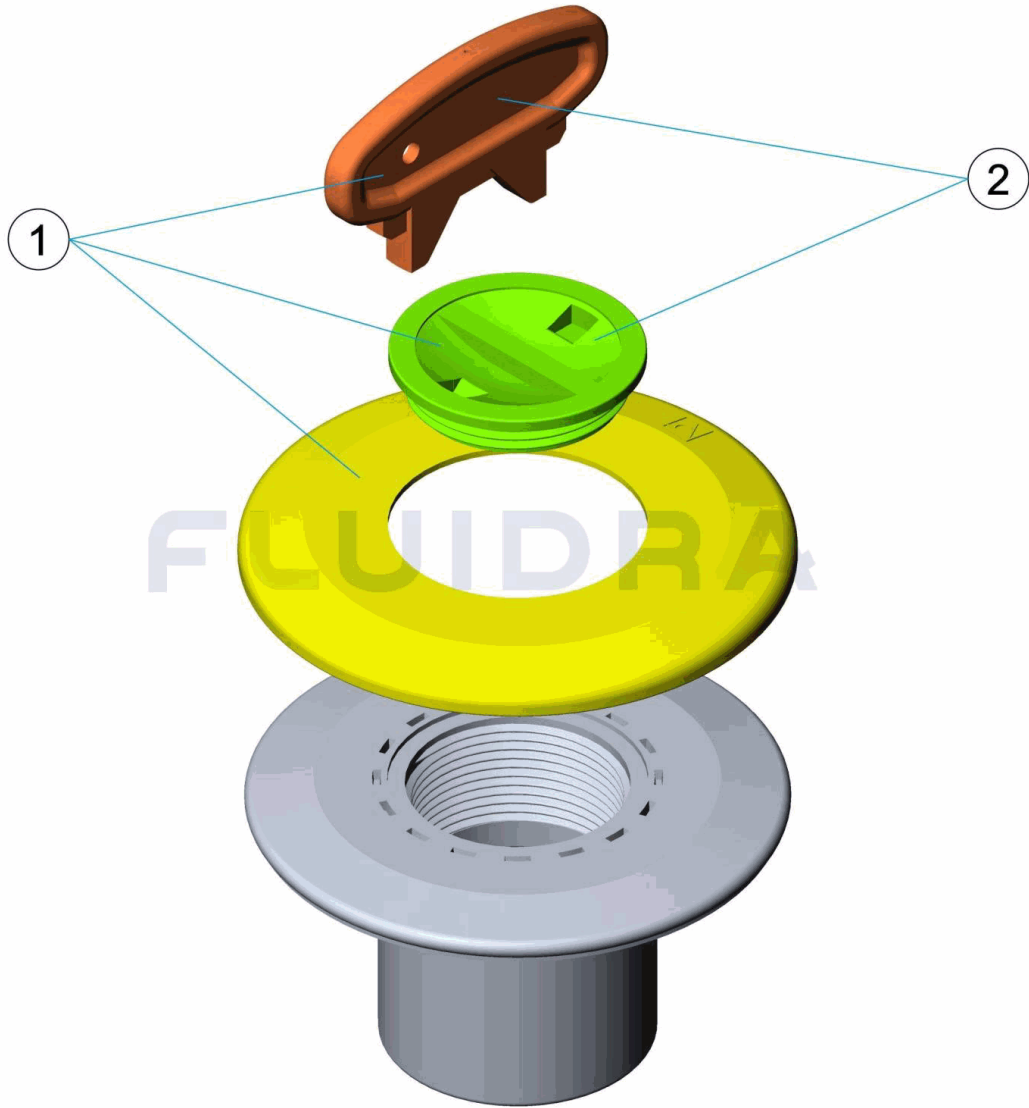


CODE **00300**

DESCRIPTION: **SOLVENT-SEAL SUCTION NOZZLE CONCRETE POOL D. 63**



ENGLISH

POS	CODE	DESCRIPTION	POS	CODE	DESCRIPTION
1	4402040501	INLET COVER PLATE + CAP	2	4402043101	INLET CAP