

## **5 - TERMS OF THE WARRANTY :**

As the original purchaser of this equipment has purchased from Emaux Water Technology Co Ltd, through Authorized International Distributor or Dealer, warrants its products free from defects in materials and workmanship under normal use during the warranty period. The warranty period begins on the day of purchase and extends only to the original purchaser. It is not transferable to anyone who subsequently purchases the product from you. It excludes all expendable parts.

During the warranty period, Emaux authorized reseller will repair or replace defective parts with new parts or, at the option of Emaux, serviceable used parts that are equivalent or superior to new parts in performance.

This Limited Warranty extends only to products purchased from Emaux authorized resellers. This Limited Warranty does not extend to any product that has been damaged or rendered defective.

- (a) as a result of an accident, misuse, or abuse;
- (b) as a result of an act of God;
- (c) by operation outside the usage parameters stated herein;
- (d) by the use of parts not manufactured or sold by Emaux;
- (e) by modification of the product;
- (f) as a result of war or terrorist attack; or
- (g) as a result of service by anyone other than Emaux authorized reseller or authorized agent.

EXCEPT AS EXPRESSLY OUTLINED IN THIS WARRANTY, EMAUX MAKES NO OTHER WARRANTIES EXPRESSED OR IMPLIED, INCLUDING ANY IMPLIED WARRANTIES OF MERCHANTABILITY AND FITNESS FOR A PARTICULAR PURPOSE. EMAUX EXPRESSLY DISCLAIMS ALL WARRANTIES NOT STATED IN THIS LIMITED WARRANTY. ANY IMPLIED WARRANTIES THAT MAY BE IMPOSED BY LAW ARE LIMITED TO THE TERMS OF THIS EXPRESS LIMITED WARRANTY.



## **WALL RETURN INLETS**

### **MANUAL INSTALLATION .**

#### **MODELS :**

EM4408(A) / EM4408(E)  
EM4408(A1) / EM4408(E1)  
EM4409(A) / EM4409(E)  
EM4409(A1) / EM4409(E1)  
EM4410(A) / EM4410(E)  
EM4413(A) / EM4413(E)  
EM4413(A1) / EM4413(E1)  
EM4414(A) / EM4414(E)  
EM4415(A) / EM4415(E)

**WALL RETURN INLETS**

**IMPORTANT :This instruction manual includes essential information on the safety measures to be implemented for installation and start up .Therefore the installer as well as the user must read the instructions beforestarting installation and start up .  
Keep this manual for future reference**

**1 .-WALL RETURN INLET :**

Return inlets are one of the most important pool fittings for a proper water recirculation . Two different models of return inlets are available :Wallreturn and Floor return inlets . Wall return inlets are specially designed for those pools with skimmers ,since the water recirculation in the pool is “horizontal” from the inlets to the skimmers . On the other hand the Floor return inlets are recommended to be installed in swimming pools with overflow channel .They prevent dirt from settling by lifting it towards the overflow , creating a “vertical” recirculation .

**2 .-INSTALLATION :**

The positioning of the wall return inlets is important in order to obtain a proper water recirculation and avoid any zone in the pool where water is not circulated periodically . It is recommended to install the Wall return inlets in the opposite side of the skimmers ,and 200 -300 mm depth from the water surface . Fig (1 )

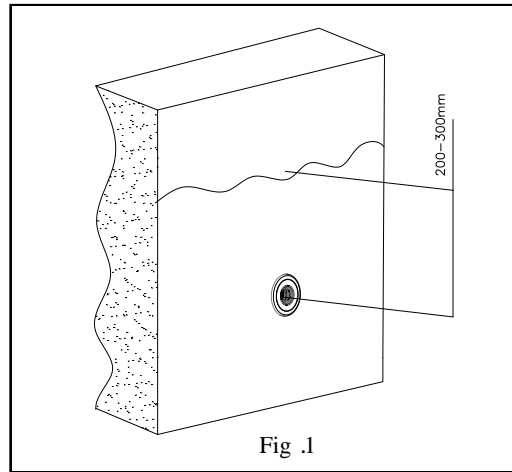
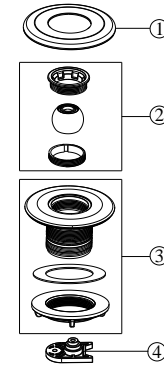


Fig .1

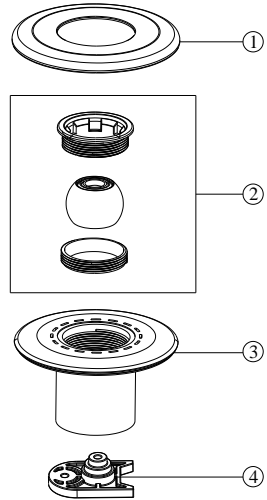
The flow rate required for the installation will determine the number of inlets needed. Three different diameters(14 mm, 20 mm and 25 mm) are available in the eye ball, so you can choose three different flow rates according the pool requirements:

**4 6 .-MODEL EM4415(A/E)**



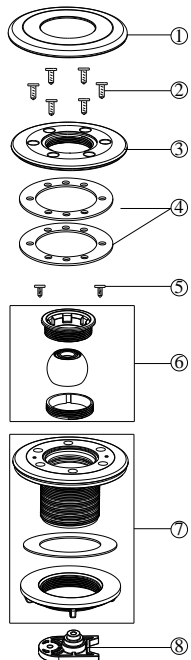
POS	CODE	PRODUCT DESCRIPTION
1	01050184	Face ring
2	89130105	Assembly eyeball
3	89130110	Body GB50
3	89130111	Body BS1.5"
4	01014172	Nut and eyeball regulator

#### 4 4 .-MODEL EM4413(A/E/A1/E1) :



POS	CODE	PRODUCT DESCRIPTION
1	01050184	Face ring
2	89130105	Assembly eyeball
3	01050193	Body GB63 / GB50 PN10 (EM4413E)
3	01050221	Body BS2"/1.5" Class 12 (EM4413A)
3	570056396	Body GB63 PN16 (EM4413E1)
3	570056395	Body BS2" Class 15 (EM4413A1)
4	01014172	Nut and eyeball regulator

#### 4 5 .-MODEL EM4414(A/E) :



POS	CODE	PRODUCT DESCRIPTION
1	01050184	Facing
2	03012115	Screws M5x14
3	01050190	Ring
4	02010280	Liner gaskets
5	03012116	Screws M3x9.5
6	89130105	Assembly eyeball
7	89130108	Body GB50
7	89130109	Body BS1.5"
8	01014172	Nut and eyeball regulator

Eyeball Ø 14 mm	Eyeball Ø 20 mm	Eyeball Ø 25 mm
Flow rate 3 m <sup>3</sup> /h	Flow rate 4.5 m <sup>3</sup> /h	Flow rate 7 m <sup>3</sup> /h

Unthread the central piece where the eyeball is placed with one of the tools supplied and with the other tool small pipe with Ø20 mm from one side and Ø25 mm from the other side and a hammer, remove the unwanted parts of the eyeball (Fig 2).

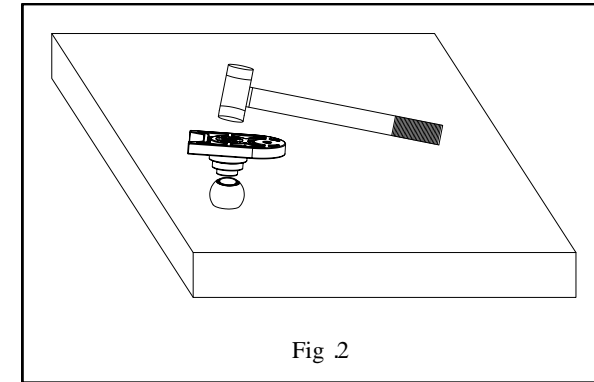


Fig 2

It is recommended to install the wall conduit model EM2841 (for concrete pools) or EM2842 (for Vinyl pools)

#### 3 .-MODELS :

	Concrete pools (Fig 3)			
	EM4408	EM4409	EM4410	EM4413
Metrical connections	Pipe Ø 32 mm Pipe Ø 50 mm PN6	Pipe Ø 50 mm Pipe Ø 63 mm PN6	Pipe Ø 50 mm or thread 2 "	Pipe Ø 50mm(EM4413E) Pipe Ø 63mm(EM4413E1)
Imperial connections	Pipe Ø 1 " Pipe Ø 2 "Class 6	Pipe Ø 1.5 " Pipe Ø 2.5 "Class 6	Pipe Ø 1.5 " or thread 2 "	Pipe Ø 1.5 "(EM4413A) Pipe Ø 2 "(EM4413A1)

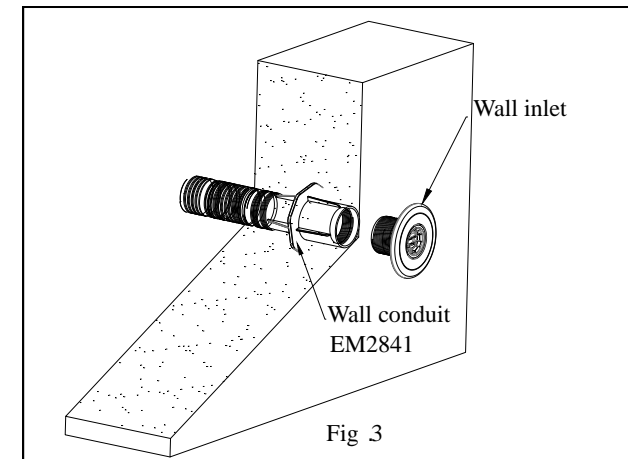
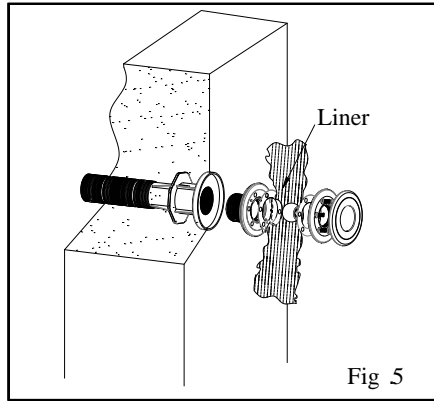
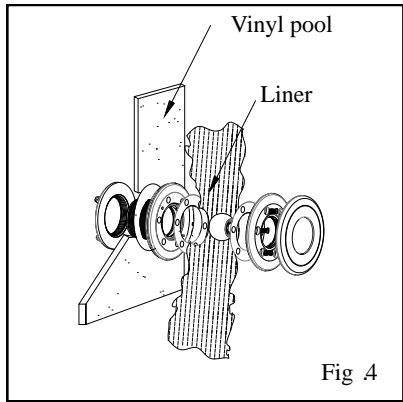


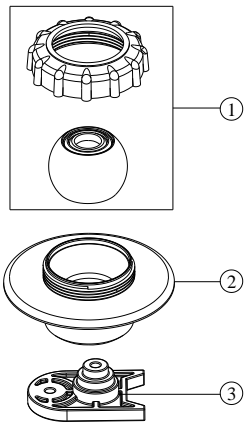
Fig 3

	Vinyl pools with Liner (Fig 4)		Concrete pools with Liner (Fig 5)	
	EM4414		EM4415	
Metrical connections	Pipe	50 mm or thread 2 "	Pipe	50 mm or thread 2 "
Imperial connections	Pipe	1 1/2" or thread 2 "	Pipe	1 1/2" or thread 2 "



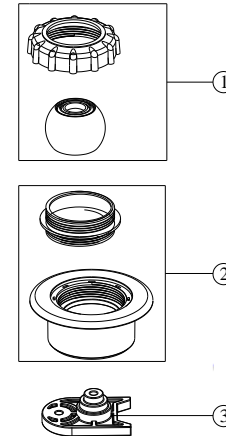
#### 4 .SPARE PARTS LIST :

##### 4 1 .MODEL EM4408(A/E/A1/E1) :



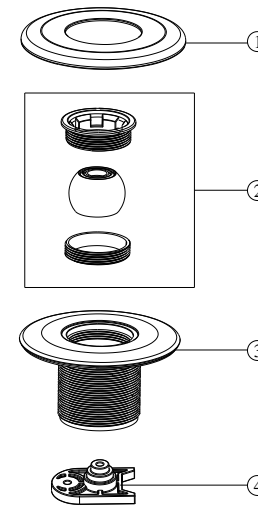
POS	CODE	PRODUCT DESCRIPTION
1	89130102	Face ring and eyeball
2	01050181	Body GB32/GB50 PN10 (EM4408E)
2	01050220	Body BS 1"/1.5" Class 12 (EM4408A)
2	570056402	Body GB32/GB50 PN16 (EM4408E1)
2	570056401	Body BS 1"/1.5" Class 15 (EM4408A1)
3	01014172	Nut and eyeball regulator

##### 4 2 .MODEL EM4409(A/E/A1/E1) :



POS	CODE	PRODUCT DESCRIPTION
1	89130102	Face ring and eyeball
2	89130103	Body GB50/GB63 PN10 (EM4409E)
2	89130104	Body BS 1.5"/2" Class 12 (EM4409A)
2	570056400	Body GB63 PN16 (EM4409E1)
2	570056399	Body BS 2" Class 15 (EM4409A1)
3	01014172	Nut and eyeball regulator

##### 4 3 .MODEL EM4410(A/E) :



POS	CODE	PRODUCT DESCRIPTION
1	01050184	face ring
2	89130105	Assembly eyeball
3	01050187	Body GB50
3	01050218	Body BS1.5"
4	01014172	Nut and eyeball regulator