

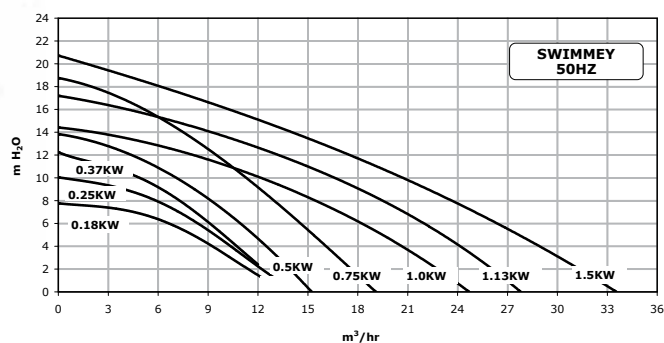


PUMPS

Pumpen | Pompen | Pompes | Bombas | Pompe



SWIMMEY™



FEATURES

- Self-priming pump with prefilter for swimming pools
- Designed to achieve maximum operational reliability in filtering and recirculating water treated with chlorine
- Suitable for continuous use
- Includes 2 meter cord for direct plug installations
- Swivel unions included for easy assembly
- Thermal protection on single phase units

FUNKTIONSUMFANG

- Selbstansaugende Schwimmbadpumpe mit Vorfilter
- Maximale Zuverlässigkeit für den Filtrierungs- und Beckenwasserkreislauf mit chlorhaltigem Wasser
- Geeignet als Dauerläufer
- Inkl. 2-Meter-Kabel für Installationen mit direktem Stromanschluss
- Inkl. justierbarer Klebeverschraubungen für einfache Montage
- Einphasenmotoren mit Thermo-Motorschutz ausgestattet

EIGENSCHAPPEN

- Zelfaanzuigende pomp met voorfilter bestemd voor zwembaden
- Ontworpen voor maximale operationele betrouwbaarheid in filtratie en het hercirculeren van met chloor behandeld water
- Geschikt voor continu gebruik
- 2 meter lang snoer inbegrepen voor directe stroomaansluiting
- Koppelstukken inbegrepen voor gemakkelijke assemblage
- Thermische beveiliging inbegrepen bij enkelfasige motoren

CARACTÉRISTIQUES

- Pompe de piscine auto-amorçante avec préfiltre
- Conçue pour atteindre une fiabilité maximum dans la filtration et la circulation des eaux traitées au chlore
- Adaptée à une utilisation en continu
- Cable de 2 mètres inclus pour les branchements directs
- Raccords union pivotantes incluses pour un assemblage facilité
- Protection thermique sur les moteurs monophasés

CARACTERÍSTICAS

- Bomba de auto cebado con prefiltro para piscinas
- Diseñado para proponer más fiabilidad en la filtración del agua tratada con cloro
- Apta para uso continuo
- Incluye cable de 2 metros para su conexión directa a la red
- Uniones pivotantes para un fácil montaje
- Motores monofásicos con protección térmica

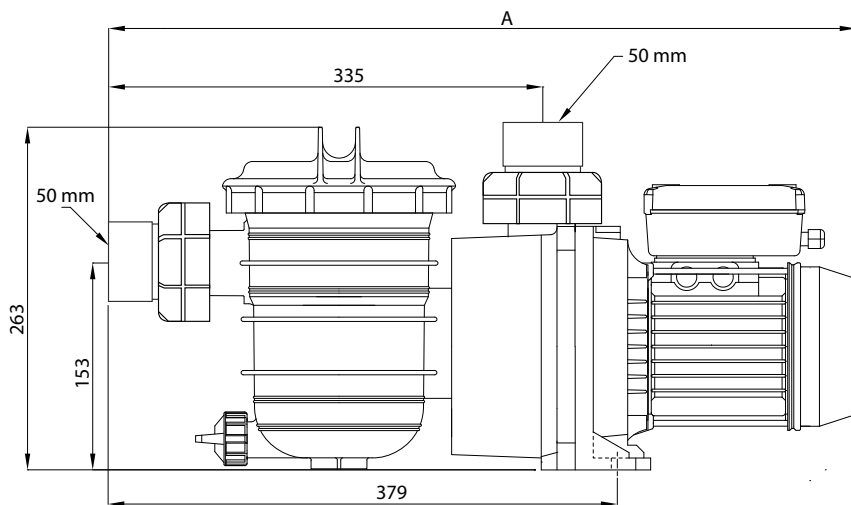
CARATTERISTICHE

- Elettropompe autoadescanti con prefiltro per piscina
- Disegno per ottenere la massima affidabilità di funzionamento nella filtrazione e nel ricircolo dell'acqua trattata con cloro
- Adatte per uso continuo
- Cavo 2 m per installazioni con collegamento diretto incluso
- Giunti a perno inclusi per facilitare il montaggio
- Protezione termica sulle unità monofase

Model	kW	HP	Volt	Phase
P7242380	0,18	1/4	220-240V	1~
P7242390	0,25	1/3	220-240V	1~
P7242160	0,37	1/2	220-240V	1~
P7242170	0,50	3/4	220-240V	1~
P7242240	0,50	3/4	380-420V	3~
P7242180	0,75	1	220-240V	1~
P7242250	0,75	1	380-420V	3~
P7242220	1,00	1,3	220-240V	1~
P7242270	1,13	1,5	220-240V	1~
P7242280	1,13	1,5	380-420V	3~
P7242290	1,50	2	220-240V	1~
P7242300	1,50	2	380-420V	3~

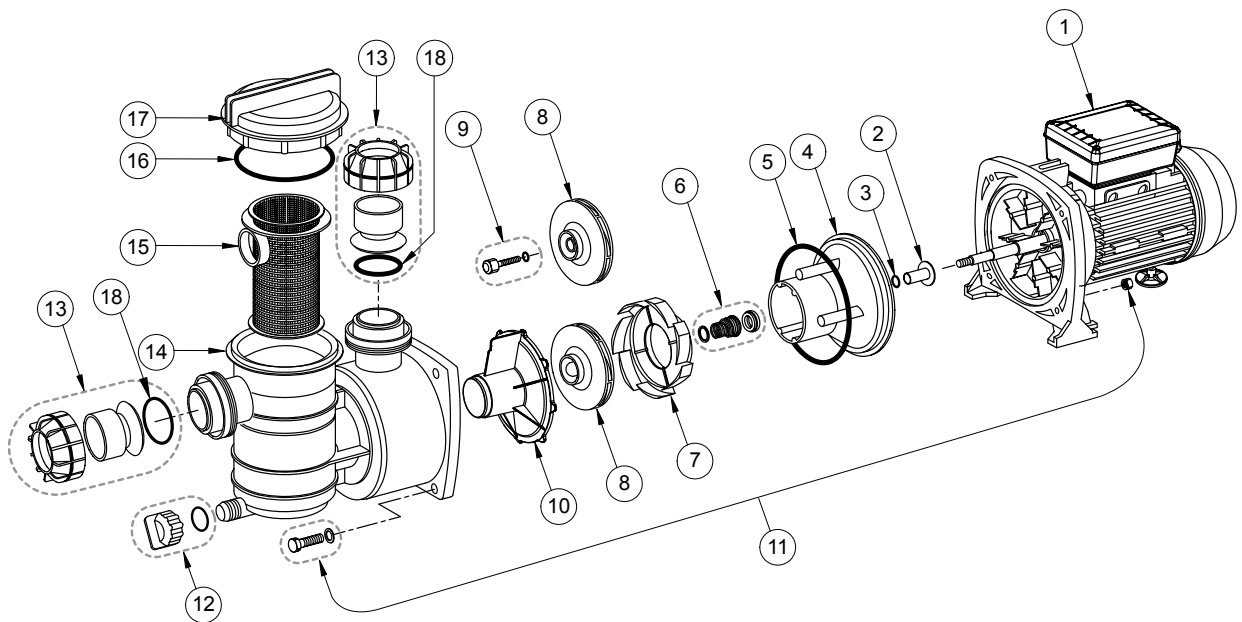
Union Kit included (p 172) / Anschluss-Set inbegriffen (S 172) / Verbindingskit inbegrepen (p 172) / Kit Union inclus (p 172) / Kit de uniones incluido (p 172) / Kit giunti incluso (p 172)

Model	Length (cm)	Width (cm)	Height (cm)	Gross Weight (kg)	Pcs by pallet	Length pallet (cm)	Width pallet (cm)	Height pallet (cm)
P7242380	57	20	32	8,3	40	120	80	180
P7242390	57	20	32	8,4	40	120	80	180
P7242160	57	20	32	8,6	40	120	80	180
P7242170	57	20	32	9,0	40	120	80	180
P7242240	57	20	32	9,0	40	120	80	180
P7242180	59	20	32	11,2	40	120	80	180
P7242250	59	20	32	11,2	40	120	80	180
P7242220	61	20	32	11,2	40	120	80	180
P7242270	64	20	32	13,0	40	120	80	180
P7242280	64	20	32	13,0	40	120	80	180
P7242290	64	20	32	14,5	40	120	80	180
P7242300	64	20	32	14,5	40	120	80	180



Model	A
	mm
P7242380 P7242390	565
P7242160	565
P7242170 P7242240	565
P7242180 P7242250	590
P7242220	610
P7242270 P7242280	635
P7242290 P7242300	635

SWIMMEY™



SWIMMEY™

Replacement Parts

No.	Part No.	Description	Part No. Includes*
1**	N/A	Motor	1
2	R604000	Shaft Sleeve (0,18KW -> 0,75KW)	1
	R505070	Shaft Sleeve (1,00KW -> 1,50KW)	1
3	R111P0960	O-Ring (0,18KW -> 0,75KW)	1
	R702218	O-Ring (1,00KW -> 1,50KW)	1
4	R731S2380	Seal Plate (0,18KW -> 0,75KW)	1
	R303350	Seal Plate (1,00KW -> 1,50KW)	1
5	R111P0970	O-Ring	1
6	R111P0910	Mechanical Seal (0,18KW -> 0,75KW)	1
	R700270	Mechanical Seal (1,00KW -> 1,50KW)	1
7	R302200	Diffuser (0,18KW -> 0,37KW)	1
	R302191	Diffuser (0,50KW -> 0,75KW)	1
	R303460	Diffuser (1,00KW -> 1,50KW)	1
8	R731SA220	Impeller 0,18KW (SW8) Mono Phase	1
	R731SA210	Impeller 0,25KW (SW10) Mono Phase	1
	R731S3090	Impeller 0,37KW (SW12) Mono & Tri Phase	1
	R504593	Impeller 0,50KW (SW15) Mono & Tri Phase	1
	R504820	Impeller 0,75KW (SW19) Mono & Tri Phase	1
	R731S2360	Impeller 1,00KW (SW24M) Mono Phase	1
	R731S2670	Impeller 1,00KW (SW24T) Tri Phase	1
	R506820	Impeller 1,13KW (SW28M) Mono Phase	1
	R731S2680	Impeller 1,13KW (SW28T) Tri Phase	1
	R507650	Impeller 1,50KW (SW33M) Mono Phase	1
	R731S2690	Impeller 1,50KW (SW33T) Tri Phase	1
9	R373376081	Impeller Lock Screw (1,00 -> 1,50KW)	1
10	R101P6420	Separator Plate (0,18KW -> 0,75KW)	1
11	RHWSWIM	Hardware Kit	4
12	R504605	Drain Cap and O-Ring	1
13	R505426	Union Kit Slip Fit 50mm	2
	R505427	Union Kit Slip Fit 1-1/2"	2
14	R303110	Pump Body	1
15	R302310	Basket	1
16	R702208	O-Ring	1
17	R404293	Lid	1
18	R111P1070	O-Ring	2

* PART NUMBER INCLUDES REQUIRED QUANTITY PER PRODUCT

** SEE MOTOR SHEET FOR MOTOR SPARE PARTS