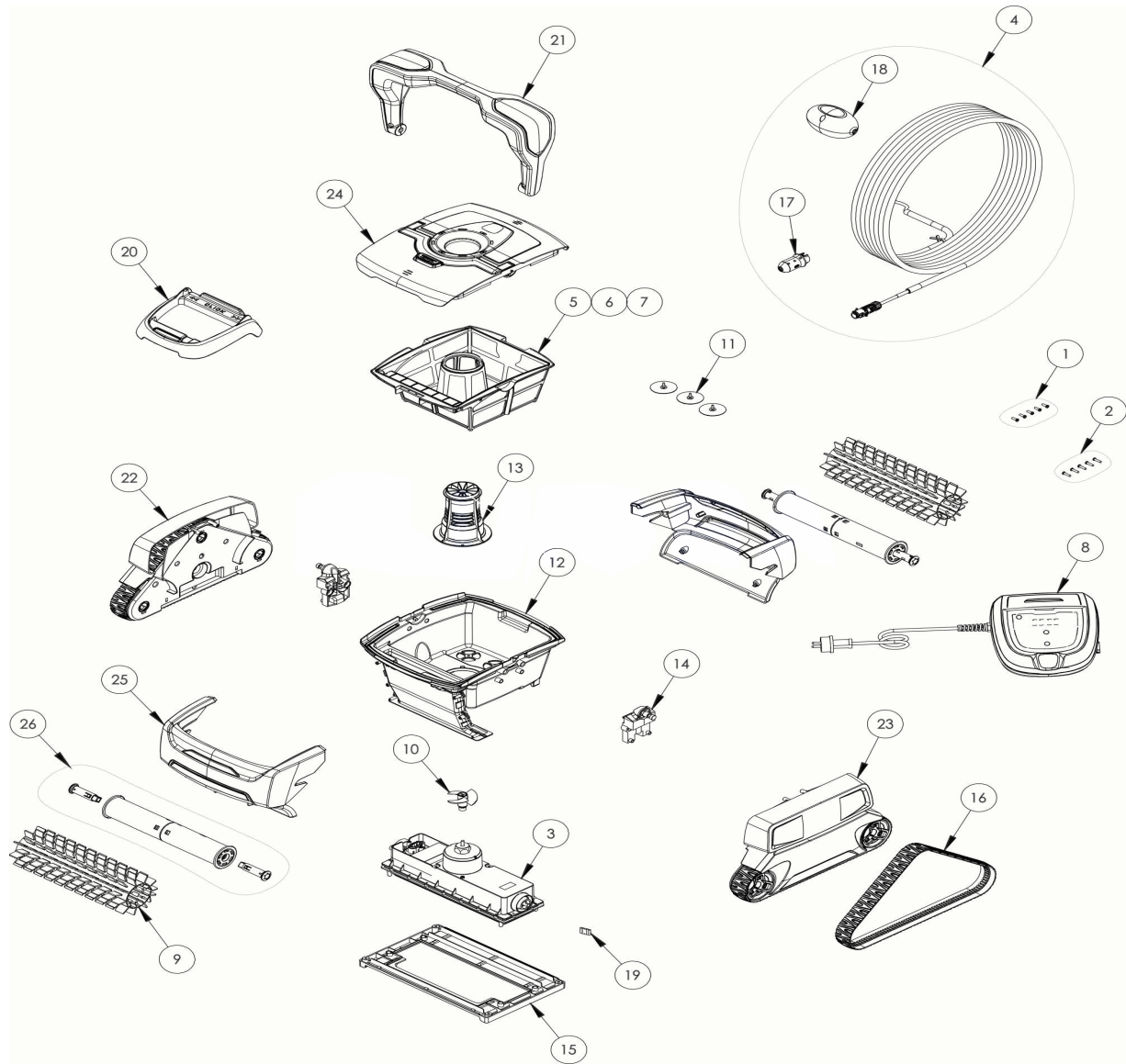


CODE **WR000253**

DESCRIPTION: **RX 4350**



POS	CODE	DESCRIPTION	QUANTITY	POS	CODE	DESCRIPTION	QUANTITY
1	R0516700	SCREWS 4*12 MM (X5)	1	14	R0633600	HANDLE SHAFT CYCLONX	2
2	R0608500	SCREW 4*16MM (set of 5)	1	15	R0633800	BOTTOM PLATE CYCLONX	1
3	R0632000	COMPLETE MOTOR BLOCK CYCLONX	1	16	R0633900	TRACK CYCLONX ZODIAC (SET OF 2)	1
4	R0632100	COMPLETE FLOATING CABLE CYCLONX 1.	1	17	R0634100	CONNECTOR 3PTS BODY	1
5	R0632600	COMPLETE FILTER 100 CYCLONX ZODIAC	1	18	R0634200	CABLE FLOAT CYCLONX ZODIAC	1
6	R0632601	COMPLETE FILTER 200 CYCLONX ZODIAC	1	19	R0657900	MOTOR BLOCK SHAFT PIN Ø4 (SET OF 5)	1
7	R0632602	COMPLETE FILTER 60 CYCLONX ZODIAC	1	20	R0662600	CONTROL UNIT BASE	1
8	R0633001	CONTROL BOX TYPE 2 C	1	21	R0715200	COMPLETE HANDLE B BLUE-RAL9022 Z	1
9	R0633100	BRUSH SCRUBBER CYCLONX RAL9022 ZC	1	22	R0715300	COMPLETE FREE GEAR BOX W C RAL9022	1
10	R0633200	IMPELLER CYCLONX	1	23	R0715400	COMPLETE GEAR BOX W C RAL9022	1
11	R0633300	EXHAUST VALVE CYCLONX (SET OF 3)	1	24	R0715500	COMPLETE COVER C B-0	1
12	R0633400	BOWL CYCLONX	1	25	R0715600	BODY B BLUE C	2
13	R0633500	FLOW OUTLET CYCLONX	1	26	R0722400	BRUSH ROLLER + KEYS C	2