

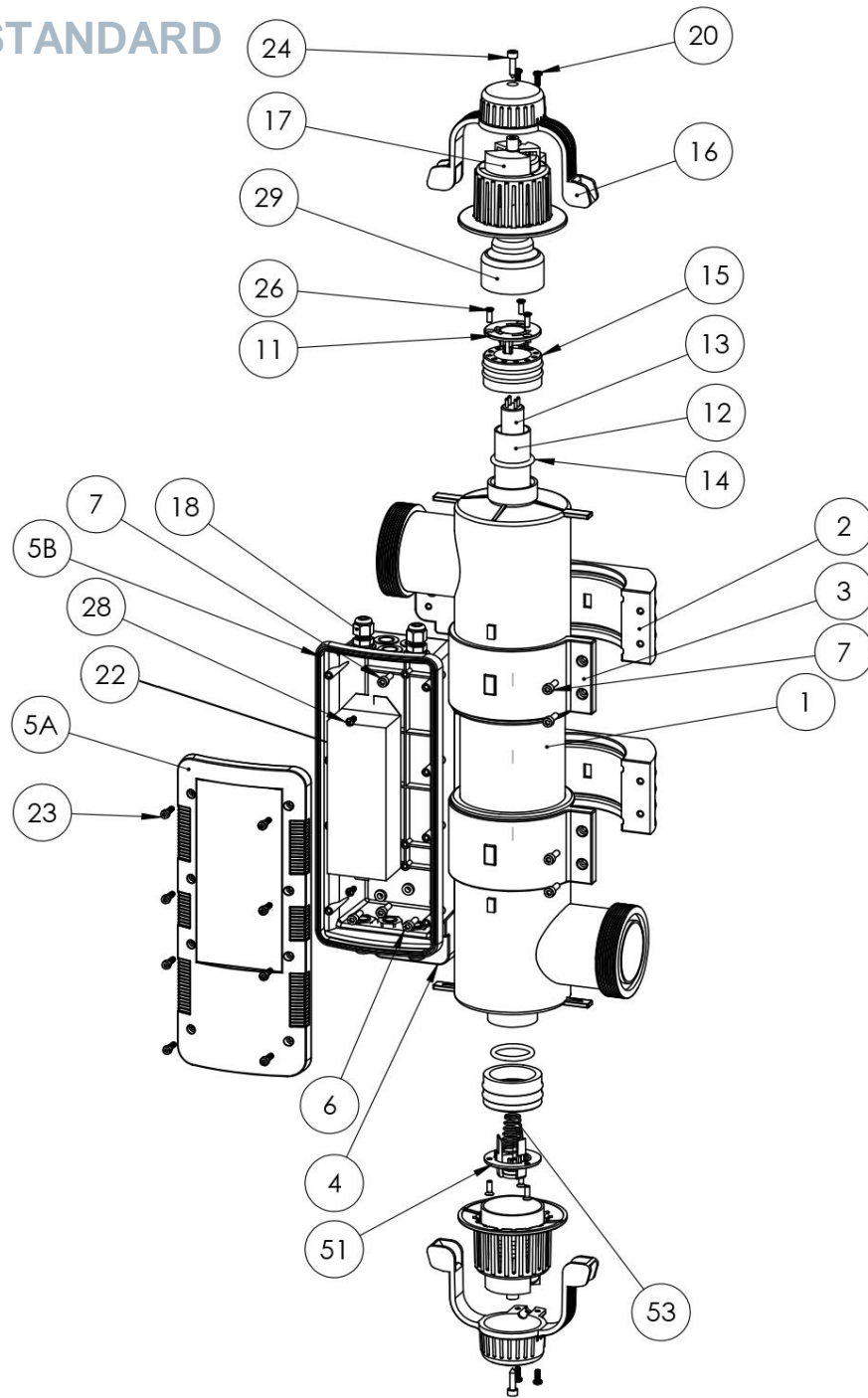
MINI HR-UVC

SPARE PART LISTS



ELEGR0
ENGINEERING

MINI HR UV-C STANDARD



Item No.:	Description	Pcs/Unit HR-30	Electro Part Number HR-30
1	Mini HR-UVC Replacement Body Assembly (Complete with PTFE reflector and T-Piece)	1	SP-UV-B-HR-FS-30
2	Rear Mounting Bracket	2	Z-IM-UV-ST-RB
3	Front Mounting Bracket	2	Z-IM-UV-ST-FB
4	Mini HR-UVC Wall Mounting Bracket	2	Z-IM-UV-M-WMB
5A	Mini HR-UVC Front Cover	1	Z-IM-UV-M-FC
5B	Mini HR-UVC Rear Enclosure	1	Z-IM-UV-M-ENC
6	M5 Flat Form C Washer A2	2	Z-FIX-M5FCW
7	POD Fixing Screw	2	Z-FIX-M4.8X19STS-SC
12	Mini HR-UVC Quartz Sleeve	1	SP-UV-QS-30
13	Mini Quantum UV Lamp	1	SP-UV-LAMP-30
14	Quartz Sleeve O-Ring Seal	2	SP-UV-ORS
15	Quartz Sleeve Locking Nut	2	SP-UV-LNUT
16	UV Lamp Holder Clip	2	Z-IM-UV-LH-CLIP
17	UV Lamp Holder Hard Cap	2	Z-IM-UV-LH-CAP
18	PG7 Entry Gland	6	Z-CON-PG7BK
20	Lamp Lead Clamp Pozi Pan Screw	4	Z-FIX-M4X14
22	Electronic ballast	1	SP-UV-BB-30
23	Enclosure Fixing Screw	6	Z-FIX-M4X16-SC-ST
24	Lamp Holder Clip Screw	2	Z-FIX-M4.8X19STS-SC
26	Bracket Screw	6	Z-FIX-M4X14
28	Ballast Fixing Screw	2	Z-FIX-M4X14
29	Lamp Lead Connection	2	SP-UV-LLL-S
51	Mini UV Lamp Retaining Cap - Closed	1	Z-SMW-UV-LRC-C
52	Mini UV Lamp Retaining Cap - Open	1	Z-SMW-UV-LRC-O
53	Mini UV Spring	1	Z-UV-M-S