

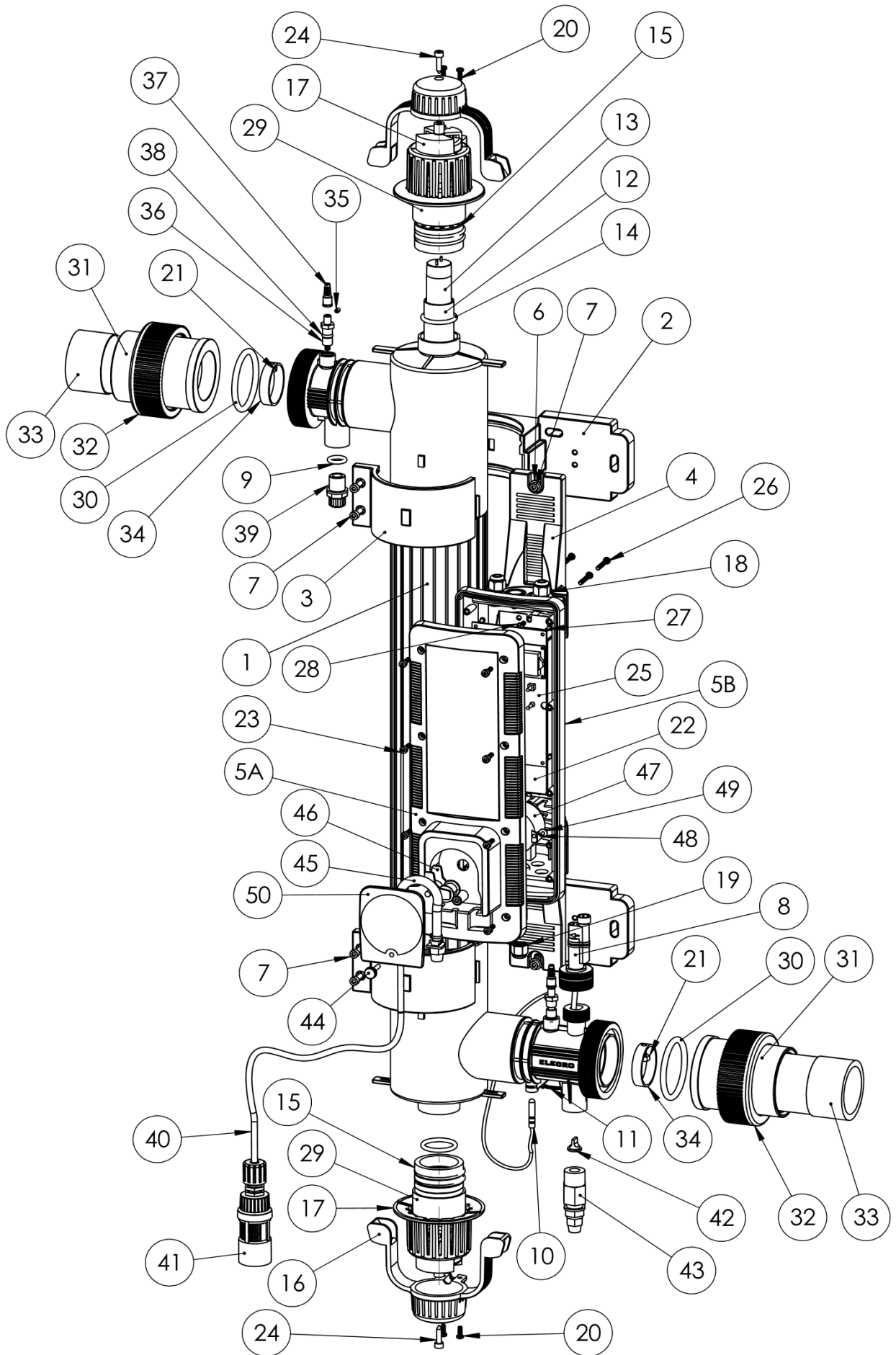
Quantum

SPARE PART LISTS

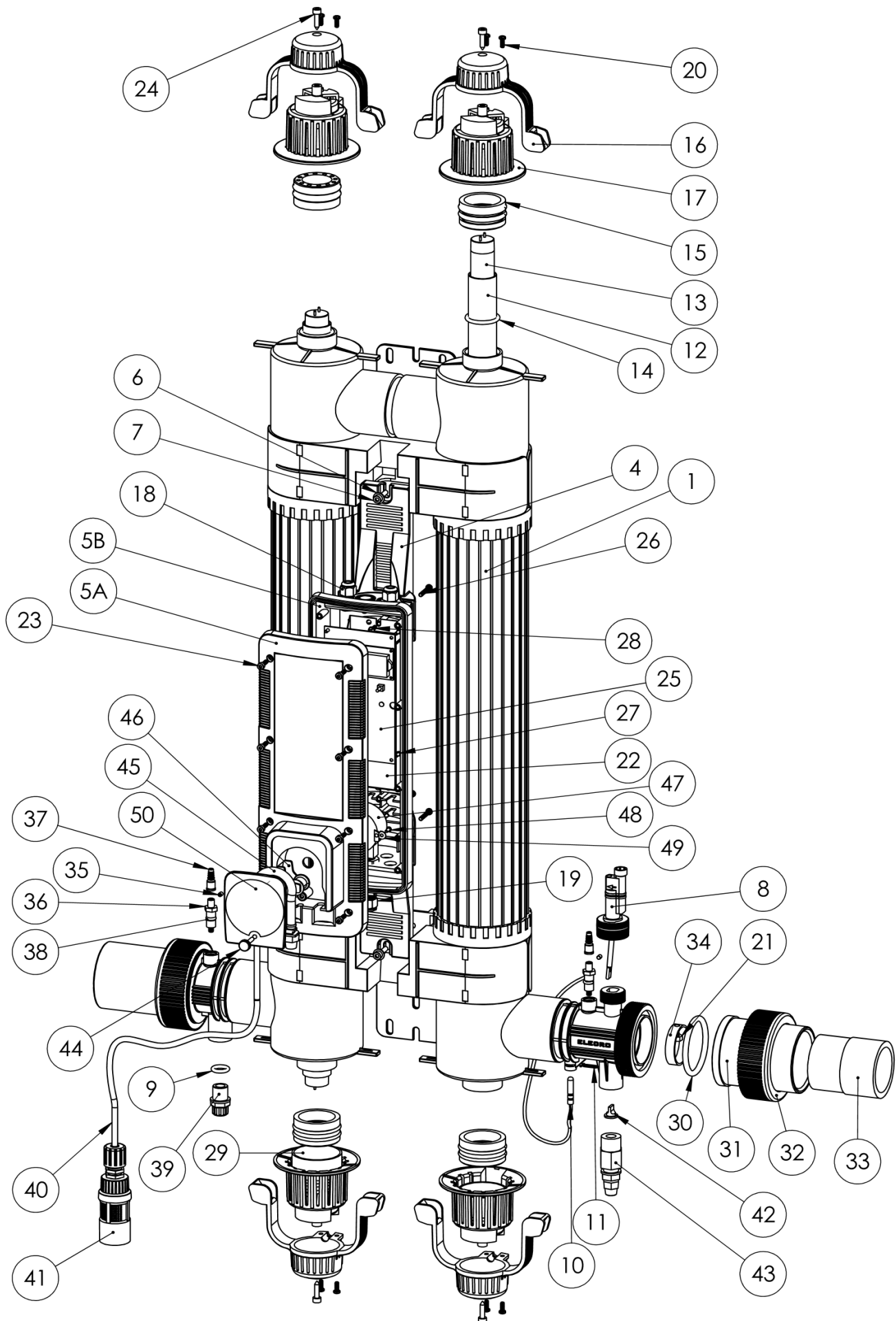


ELECRO
ENGINEERING

Quantum PRO



Quantum PRO



Item No.:	Description:	Pcs/Unit QP-65	Pcs/Unit QP-130	Elecro Part Number for QP-65	Elecro Part Number for QP-130	GBP RRP (£)		EUR RRP (€)	
						QP-65	QP-130	QP-65	QP-130
1	Quantum Replacement Body Assembly (Complete with Titanium reflector and T-Piece)	1	1	SP-UV-B-Q-65	SP-UV-B-Q-130	315.00	450.00	352.80	504.00
2	Rear Mounting Bracket	2	-	Z-IM-UV-ST-RB	-	11.00	-	12.32	-
3	Front Mounting Bracket	2	-	Z-IM-UV-ST-FB	-	5.00	-	5.60	-
4	Enclosure Bracket	2	2	Z-IM-UV-ENC-B		10.00		11.20	
5A	Quantum Front Cover with Pump	1	1	Z-IM-UV-FC		11.00		12.32	
5B	Rear Enclosure	1	1	Z-IM-UV-ENC-N		17.00		19.04	
6	M5 Flat Form C Washer A2	2	2	Z-FIX-M5FCW		5.25		5.88	
7	POD Fixing Screw	2	2	Z-FIX-M4.8X19STS-SC		5.25		5.88	
8	Flow Switch	1	1	SP-107-UV-B		38.75		43.40	
9	Blanking Cap O-Ring Seal	1	1	Z-ORS-SR-PC-S		1.25		1.40	
10	Temperature Sensor	1	1	SP-NTC-1000		30.75		34.44	
11	R' Clip	1	1	Z-MIS-R-CLIP		3.00		3.36	
12	Quartz Sleeve	1	2	SP-UV-QS		39.25		43.96	
13	UV Lamp	1	2	SP-UV-LAMP-EL		47.75		53.48	
14	Quartz Sleeve O-Ring Seal	2	4	SP-UV-ORS		1.20		1.34	
15	Quartz Sleeve Locking Nut	2	4	SP-UV-LNUT		7.15		8.01	
16	UV Lamp Holder Clip	2	4	Z-IM-UV-LH-CLIP		5.50		6.16	
17	UV Lamp Holder Hard Cap	2	4	Z-IM-UV-LH-CAP		7.50		8.40	
18	PG7 Entry Gland	3	3	Z-CON-PG7BK		7.00		7.84	
19	PG7 Entry Gland	4	4	Z-CON-PG7BK		7		7.84	
20	Lamp Lead Clamp Pozi Pan Screw	4	8	Z-FIX-M4X14		1.5		1.68	
21	Current Collector Hex Nut	2	2	Z-FIX-M5HEX		5.25		5.88	
22	Electronic ballast	1	1	SP-UV-BB-55	SP-UV-BB-110	110.00	150.00	123.20	168.00
23	Enclosure Fixing Screw	6	6	Z-FIX-M4X16-SC-ST		1.50		1.68	
24	Lamp Holder Clip Screw	2	4	Z-FIX-M4.8X19STS-SC		5.25		5.88	
25	Quantum Maintenance Timer PCB	1	1	SP-UV-QP-PCB		195.00		218.40	
26	Bracket Screw	6	6	Z-FIX-M4X14		1.5		1.68	
27	M3 x 8mm PCB Fixing	5	5	Z-FIX-M3X8-BLK		1.50		1.68	
28	Ballast Fixig Screw	2	2	Z-FIX-M4X14		1.5		1.68	
29	Lamp Lead Connection	2	4	SP-UV-LLL-S		17.50		19.60	
30	Large Union O-Ring Seal	2	2	Z-ORS-UNI-L		4.25		4.76	
31+32	Union Socket 2" / 63mm	2	2	SP-122		13.50		15.12	
	Union Nut								
33	Union Reducer 1½" / 50mm	2	2	SP-UV-R		4.50		5.04	
34	10mm / 44.5mm OD Stainless Steel Ring	2	2	Z-TUB-SS44.5X10		8.50		9.52	
35	Current Collector Grub Screw	2	2	Z-FIX-M4X4GS		1.50		1.68	
36	Current Collector Pin (316 S/S)	2	2	Z-UV-CC-PIN		14.50		16.24	
37	UV Current Collector Rubber Boot	2	2	Z-UV-CC-RB		4.50		5.04	
38	UV Current Collector 'O' Ring	2	2	Z-ORS-UV-CC		2.50		2.80	
39	UV Blanking Plug	2	2	Z-IM-UV-BP		3.50		3.92	
40	Suction Tubing	1	1	Z-DP-PVCH		7.50		8.40	
41	Foot Valve Strainer Assembly	1	1	Z-DP-FS		42.00		47.04	
42	Rubber Lip Valve and Top Hat Bush	1	1	SP-UV-DP-RDV		8.00		8.96	
43	Dosing Port ssembly	1	1	SP-UV-DP-PA		7.50		8.40	
44	Dosing Pump Front Cover Screw	1	1	Z-DP-CF-TEC		10.50		11.76	
45	Dosing Tube Assembly	1	1	SP-DP-ST-TEC		22.00		24.64	
46	Dosing Pump Roller Assembly	1	1	SP-DP-PR-TEC		30.00		33.60	
47	Dosing Pump Motor	1	1	SP-DP-M-TEC		58.00		64.96	
48	Dosing Pump Motor Screw	2	2	Z-FIX-M3X8-BLK		1.50		1.68	
49	Dosing Pump Motor Washer	2	2	Z-FIX-M3LW		1.50		1.68	
50	Dosing Pump Front Cover	1	1	Z-DP-FCC-TEC		12.50		14.00	