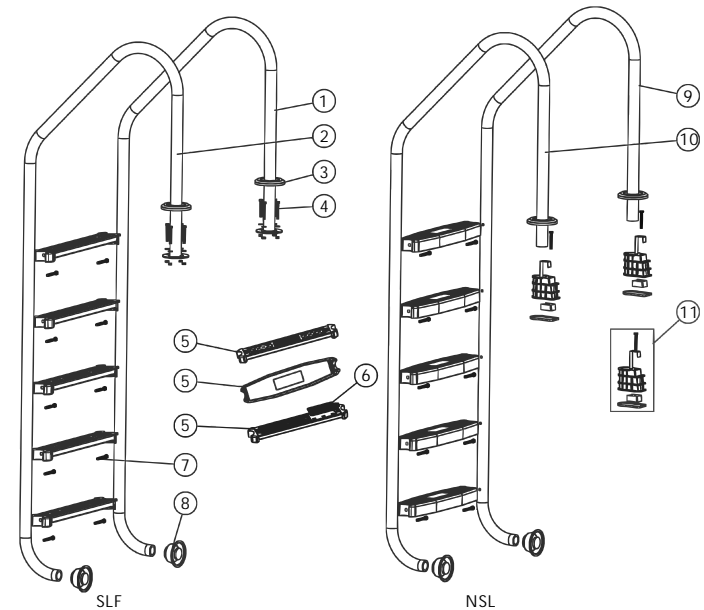


SL SERIES LADDER INSTALLATION FOR CONCRETE POOL

Key No.	Part No.	Description	Qty
1	03016145	Ladders Left Hand-Side (AISI304) for SLF215 (Flange)	1
1	03016146	Ladders Left Hand-Side (AISI304) for SLF315 (Flange)	1
1	03016147	Ladders Left Hand-Side (AISI304) for SLF415 (Flange)	1
1	03016148	Ladders Left Hand-Side (AISI304) for SLF515 (Flange)	1
1	03016196	Ladders Left Hand-Side (AISI316) for SLF215 (Flange)	1
1	03016197	Ladders Left Hand-Side (AISI316) for SLF315 (Flange)	1
1	03016198	Ladders Left Hand-Side (AISI316) for SLF415 (Flange)	1
1	03016199	Ladders Left Hand-Side (AISI316) for SLF515 (Flange)	1
2	03016149	Ladders Right Hand-Side (AISI304) for SLF215 (Flange)	1
2	03016150	Ladders Right Hand-Side (AISI304) for SLF315 (Flange)	1
2	03016151	Ladders Right Hand-Side (AISI304) for SLF415 (Flange)	1
2	03016152	Ladders Right Hand-Side (AISI304) for SLF515 (Flange)	1
2	03016200	Ladders Right Hand-Side (AISI316) for SLF215 (Flange)	1
2	03016201	Ladders Right Hand-Side (AISI316) for SLF315 (Flange)	1
2	03016202	Ladders Right Hand-Side (AISI316) for SLF415 (Flange)	1
2	03016203	Ladders Right Hand-Side (AISI316) for SLF515 (Flange)	1
3	03016046	Cover	2
4	112000078	M8*50 Screw	8
5*	89070102	Ladders Stainless Steel Step (AISI304)	*
5*	89070105	Ladders Stainless Steel Step (AISI316)	*
5*	01051173	Ladders Plastic Step	*
5*	89070107	Ladders Stainless Steel Step (AISI316) with Anti-Slippery Pad	*



SL SERIES LADDER INSTALLATION FOR CONCRETE POOL

5*	89070108	Ladders Stainless Steel Step (AISI304) with Anti-Slippery Pad	*
6	02141006	Anti-Slippery Pad	*
7	112000069	M8*35 Screw for Step (AISI304)	*
7	112010126	M8*35 Screw for Step (AISI316)	*
8	89070104	Cap	2
9	03016069	Ladders Left Hand-Side (AISI304) for SL215	1
9	03016070	Ladders Left Hand-Side (AISI304) for SL315	1
9	03016071	Ladders Left Hand-Side (AISI304) for SL415	1
9	03016072	Ladders Left Hand-Side (AISI304) for SL515	1
9	03016088	Ladders Left Hand-Side (AISI316) for SL215	1
9	03016089	Ladders Left Hand-Side (AISI316) for SL315	1
9	03016090	Ladders Left Hand-Side (AISI316) for SL415	1
9	03016091	Ladders Left Hand-Side (AISI316) for SL515	1
10	03016073	Ladders Right Hand-Side (AISI304) for SL215	1
10	03016074	Ladders Right Hand-Side (AISI304) for SL315	1
10	03016075	Ladders Right Hand-Side (AISI304) for SL415	1
10	03016076	Ladders Right Hand-Side (AISI304) for SL515	1
10	03016092	Ladders Right Hand-Side (AISI316) for SL215	1
10	03016093	Ladders Right Hand-Side (AISI316) for SL315	1
10	03016094	Ladders Right Hand-Side (AISI316) for SL415	1
10	03016095	Ladders Right Hand-Side (AISI316) for SL515	1
11	89070101	Anchor Type Fittings (Concrete Pool)	2

Notes:

NSL&SLF 215-S need 2pcs of Ladder Stainless Steel Step and 4pcs of M8*35 Screw for Step (AISI304 or AISI316)

NSL&SLF 315-S need 3pcs of Ladder Stainless Steel Step and 6pcs of M8*35 Screw for Step

NSL&SLF 415-S need 4pcs of Ladder Stainless Steel Step and 8pcs of M8*35 Screw for Step

NSL&SLF 515-S need 5pcs of Ladder Stainless Steel Step and 10pcs of M8*35 Screw for Step

NSL&SLF 815-S need 8pcs of Ladder Stainless Steel Step and 16pcs of M8*35 Screw for Step

NSL&SLF 215-SR need 2pcs of Ladder Stainless Steel Step with Anti-Slippery Pad and 4pcs of Anti-Slippery Pad and 4pcs of M8*35 Screw for Step (AISI304 or AISI316)

NSL&SLF 315-SR need 3pcs of Ladder Stainless Steel Step with Anti-Slippery Pad and 6pcs of Anti-Slippery Pad and 6pcs of M8*35 Screw for Step (AISI304 or AISI316)

NSL&SLF 415-SR need 4pcs of Ladder Stainless Steel Step with Anti-Slippery Pad and 8pcs of Anti-Slippery Pad and 8pcs of M8*35 Screw for Step (AISI304 or AISI316)

NSL&SLF 515-SR need 5pcs of Ladder Stainless Steel Step with Anti-Slippery Pad and 10pcs of Anti-Slippery Pad and 10pcs of M8*35 Screw for Step (AISI304 or AISI316)

NSL&SLF 815-SR need 8pcs of Ladder Stainless Steel Step with Anti-Slippery Pad and 16pcs of Anti-Slippery Pad and 16pcs of M8*35 Screw for Step (AISI304 or AISI316)

NSL&SLF 215-P need 2pcs of Ladder Plastic Step and 4pcs of M8*35 Screw for Step (AISI304 or AISI316)

NSL&SLF 315-P need 3pcs of Ladder Plastic Step and 6pcs of M8*35 Screw for Step (AISI304 or AISI316)

NSL&SLF 415-P need 4pcs of Ladder Plastic Step and 8pcs of M8*35 Screw for Step (AISI304 or AISI316)

NSL&SLF 515-P need 5pcs of Ladder Plastic Step and 10pcs of M8*35 Screw for Step (AISI304 or AISI316)

NSL&SLF 815-P need 8pcs of Ladder Plastic Step and 16pcs of M8*35 Screw for Step (AISI304 or AISI316)