

# Pool Ladders

Stainless Steel 304 or 316 ( $\phi 42\text{mm}$ ) tubes with a polished finish



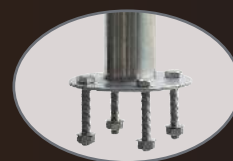
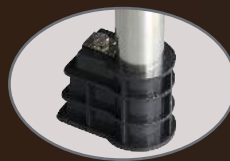
**Ancillary Shoring**  
- is provided with a supporting construction on the wall.



## Installation Options :

1) Anchor Type

2) Flange Type



Pool ladders can be easily installed either with anchors embedded in the concrete deck or bolted flanges. The fixtures are concealed by stainless steel escutcheons.



## Step Options :

- 1) Stainless Steel
- 2) Stainless Steel (with anti-slip pad)
- 3) Plastic

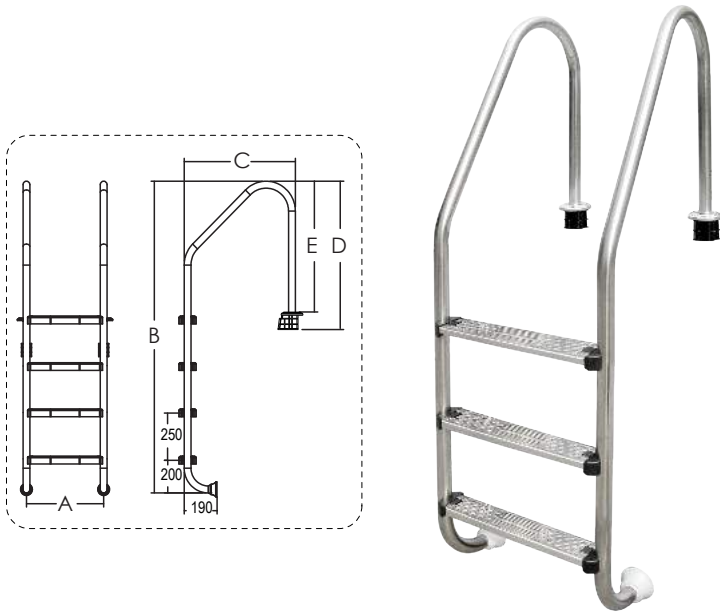
# Robust Steel Arms of Pools

## Quality ladders provide safety and ease for your pool

Ladder handrails are made of  $\phi 42\text{mm}$  tubes in polished stainless steel 304 (or 316 for saltwater pools). Correct selection and proper placement of handrails and ladders add a significant measure of safety to every pool area.

Three kinds of step are available: Plastic, stainless steel, and stainless steel with anti-slip pads. All ladders are available with anchor or flange type fixtures for easy installation.

# NSL SERIES



## Anchor Type Stainless Steel Step:

Code (AISI-304)	Code (AISI-316)	Model No.	A mm	B mm	C mm	D mm	E mm
88072601	88072606	NSL215-S	493	1320	686	788	708
88072602	88072607	NSL315-S	493	1570	686	788	708
88072603	88072608	NSL415-S	493	1820	686	788	708
88072604	88072609	NSL515-S	493	2070	686	788	708
88072613	88072616	NSL815-S	493	2830	692	699	619

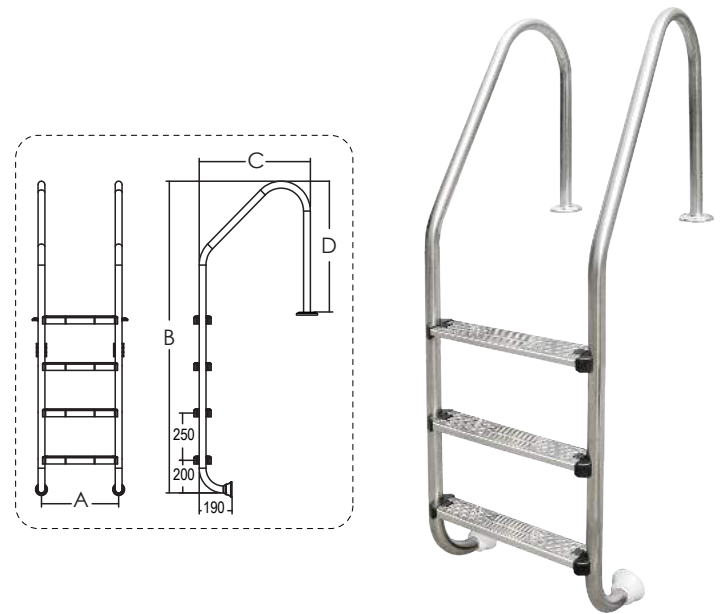
## Anchor Type Stainless Steel Step: (with Anti-Slip Pad)

Code (AISI-304)	Code (AISI-316)	Model No.	A mm	B mm	C mm	D mm	E mm
88076501	88076506	NSL215-SR	493	1320	686	788	708
88076502	88076507	NSL315-SR	493	1570	686	788	708
88076503	88076508	NSL415-SR	493	1820	686	788	708
88076504	88076509	NSL515-SR	493	2070	686	788	708
88076513	88076516	NSL815-SR	493	2830	692	699	619

## Anchor Type Plastic Step:

Code (AISI-304)	Code (AISI-316)	Model No.	A mm	B mm	C mm	D mm	E mm
88072701	88072706	NSL215-P	476	1320	686	788	708
88072702	88072707	NSL315-P	476	1570	686	788	708
88072703	88072708	NSL415-P	476	1820	686	788	708
88072704	88072709	NSL515-P	476	2070	686	788	708
88072713	88072716	NSL815-P	476	2830	692	699	619

# SLF SERIES



## Flange Type Stainless Steel Step:

Code (AISI-304)	Code (AISI-316)	Model No.	A mm	B mm	C mm	D mm
88072001	88072006	SLF215-S	493	1320	686	788
88072002	88072007	SLF315-S	493	1570	686	788
88072003	88072008	SLF415-S	493	1820	686	788
88072004	88072009	SLF515-S	493	2070	686	788
88072013	88072016	SLF815-S	493	2830	692	699

## Flange Type Stainless Steel Step: (with Anti-Slip Pad)

Code (AISI-304)	Code (AISI-316)	Model No.	A mm	B mm	C mm	D mm
88077201	88077206	SLF215-SR	493	1320	686	788
88077202	88077207	SLF315-SR	493	1570	686	788
88077203	88077208	SLF415-SR	493	1820	686	788
88077204	88077209	SLF515-SR	493	2070	686	788
88077213	88077216	SLF815-SR	493	2830	692	699

## Flange Type Plastic Step:

Code (AISI-304)	Code (AISI-316)	Model No.	A mm	B mm	C mm	D mm
88072101	88072106	SLF215-P	476	1320	686	788
88072102	88072107	SLF315-P	476	1570	686	788
88072103	88072108	SLF415-P	476	1820	686	788
88072104	88072109	SLF515-P	476	2070	686	788
88072113	88072116	SLF815-P	476	2830	692	699

\* Handrails in polished stainless steel 304 or 316 (φ42mm) tube. Steps made of stainless steel and plastic are available. Complete with anchoring or flange fixtures