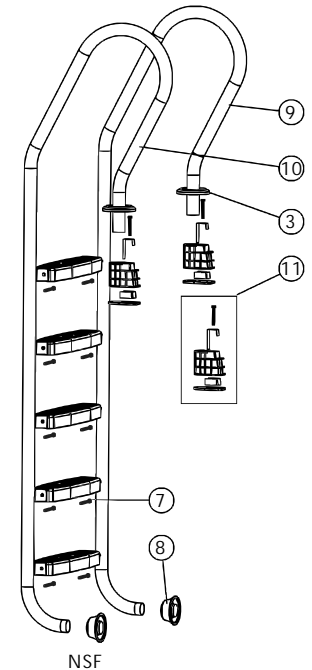
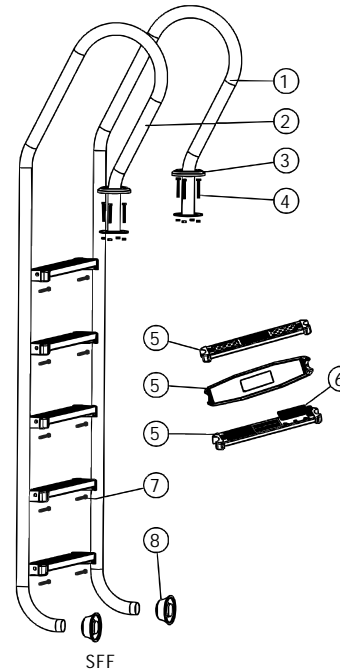


# SF SERIES LADDER INSTALLATION FOR CONCRETE POOL

Key No.	Part No.	Description	Qty
1	03016093	Ladders Left Hand-Side (AISI304) for SFF215 (Flange)	1
1	03016094	Ladders Left Hand-Side (AISI304) for SFF315 (Flange)	1
1	03016095	Ladders Left Hand-Side (AISI304) for SFF415 (Flange)	1
1	03016096	Ladders Left Hand-Side (AISI304) for SFF515 (Flange)	1
1	03016212	Ladders Left Hand-Side (AISI316) for SFF215 (Flange)	1
1	03016213	Ladders Left Hand-Side (AISI316) for SFF315 (Flange)	1
1	03016214	Ladders Left Hand-Side (AISI316) for SFF415 (Flange)	1
1	03016215	Ladders Left Hand-Side (AISI316) for SFF515 (Flange)	1
2	03016097	Ladders Right Hand-Side (AISI304) for SFF215 (Flange)	1
2	03016098	Ladders Right Hand-Side (AISI304) for SFF215 (Flange)	1
2	03016099	Ladders Right Hand-Side (AISI304) for SFF415 (Flange)	1
2	03016136	Ladders Right Hand-Side (AISI304) for SFF515 (Flange)	1
2	03016216	Ladders Right Hand-Side (AISI316) for SFF215 (Flange)	1
2	03016217	Ladders Right Hand-Side (AISI316) for SFF215 (Flange)	1
2	03016218	Ladders Right Hand-Side (AISI316) for SFF415 (Flange)	1
2	03016219	Ladders Right Hand-Side (AISI316) for SFF515 (Flange)	1
3	03016046	Cover	2
4	112000078	M8*50 Screw	8
5*	89070102	Ladders Stainless Steel Step (AISI304)	*
5*	89070105	Ladders Stainless Steel Step (AISI316)	*
5*	01051173	Ladders Plastic Step	*
5*	89070107	Ladders Stainless Steel Step (AISI316) with Anti-Slippery Pad	*



# SF SERIES LADDER INSTALLATION FOR CONCRETE POOL

5*	89070108	Ladders Stainless Steel Step (AISI304) with Anti-Slippery Pad	*
6	02141006	Anti-Slippery Pad	*
7	112000069	M8*35 Screw for Step (AISI304)	*
7	112010126	M8*35 Screw for Step (AISI316)	*
8	89070104	Cap	2
9	03016077	Ladders Left Hand-Side (AISI304) for SF215	1
9	03016078	Ladders Left Hand-Side (AISI304) for SF315	1
9	03016079	Ladders Left Hand-Side (AISI304) for SF415	1
9	03016080	Ladders Left Hand-Side (AISI304) for SF515	1
9	03016180	Ladders Left Hand-Side (AISI316) for SF215	1
9	03016181	Ladders Left Hand-Side (AISI316) for SF315	1
9	03016182	Ladders Left Hand-Side (AISI316) for SF415	1
9	03016183	Ladders Left Hand-Side (AISI316) for SF515	1
10	03016081	Ladders Right Hand-Side (AISI304) for SF215	1
10	03016082	Ladders Right Hand-Side (AISI304) for SF315	1
10	03016083	Ladders Right Hand-Side (AISI304) for SF415	1
10	03016084	Ladders Right Hand-Side (AISI304) for SF515	1
10	03016184	Ladders Right Hand-Side (AISI316) for SF215	1
10	03016185	Ladders Right Hand-Side (AISI316) for SF315	1
10	03016186	Ladders Right Hand-Side (AISI316) for SF415	1
10	03016187	Ladders Right Hand-Side (AISI316) for SF515	1
11	89070101	Anchor Type Fittings (Concrete Pool)	2

## Notes:

NSF&SFF 215-S need 2pcs of Ladder Stainless Steel step and 4pcs of M8\*35 Screw for Step (AISI304 or AISI316)

NSF&SFF 315-S need 3pcs of Ladder Stainless Steel step and 6pcs of M8\*35 Screw for Step (AISI304 or AISI316)

NSF&SFF 415-S need 4pcs of Ladder Stainless Steel step and 8pcs of M8\*35 Screw for Step (AISI304 or AISI316)

NSF&SFF 515-S need 5pcs of Ladder Stainless Steel step and 10pcs of M8\*35 Screw for Step (AISI304 or AISI316)

NSF&SFF 215-SR need 2pcs of Ladder Stainless Steel Step with Anti-Slippery Pad and 4pcs of Anti-Slippery Pad and 4pcs of M8\*35 Screw for Step (AISI304 or AISI316)

NSF&SFF 315-SR need 3pcs of Ladder Stainless Steel Step with Anti-Slippery Pad and 6pcs of Anti-Slippery Pad and 6pcs of M8\*35 Screw for Step (AISI304 or AISI316)

NSF&SFF 415-SR need 4pcs of Ladder Stainless Steel Step with Anti-Slippery Pad and 8pcs of Anti-Slippery Pad and 8pcs of M8\*35 Screw for Step (AISI304 or AISI316)

NSF&SFF 515-SR need 5pcs of Ladder Stainless Steel Step with Anti-Slippery Pad and 10pcs of Anti-Slippery Pad and 10pcs of M8\*35 Screw for Step (AISI304 or AISI316)

NSF&SFF 215-P need 2pcs of Ladder Plastic Step and 4pcs of M8\*35 Screw for Step (AISI304 or AISI316)

NSF&SFF 315-P need 3pcs of Ladder Plastic Step and 6pcs of M8\*35 Screw for Step (AISI304 or AISI316)

NSF&SFF 415-P need 4pcs of Ladder Plastic Step and 8pcs of M8\*35 Screw for Step (AISI304 or AISI316)

NSF&SFF 515-P need 5pcs of Ladder Plastic Step and 10pcs of M8\*35 Screw for Step (AISI304 or AISI316)