

Pool Ladders

Stainless Steel 304 or 316 ($\phi 42\text{mm}$) tubes with a polished finish



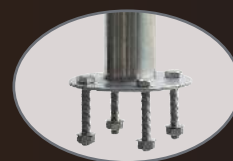
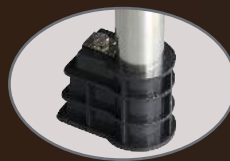
Ancillary Shoring
- is provided with a supporting construction on the wall.



Installation Options :

1) Anchor Type

2) Flange Type



Pool ladders can be easily installed either with anchors embedded in the concrete deck or bolted flanges. The fixtures are concealed by stainless steel escutcheons.



Step Options :

- 1) Stainless Steel
- 2) Stainless Steel (with anti-slip pad)
- 3) Plastic

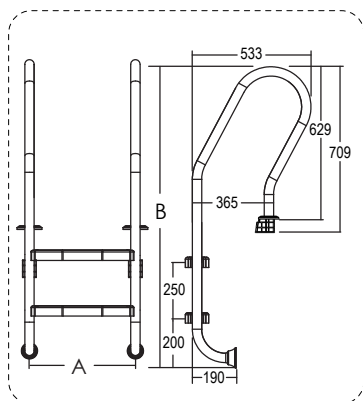
Robust Steel Arms of Pools

Quality ladders provide safety and ease for your pool

Ladder handrails are made of $\phi 42\text{mm}$ tubes in polished stainless steel 304 (or 316 for saltwater pools). Correct selection and proper placement of handrails and ladders add a significant measure of safety to every pool area.

Three kinds of step are available: Plastic, stainless steel, and stainless steel with anti-slip pads. All ladders are available with anchor or flange type fixtures for easy installation.

NSF SERIES



Anchor Type Stainless Steel Step:

Code (AISI-304)	Code (AISI-316)	Model No.	A mm	B mm
88072401	88072406	NSF215-S	493	1330
88072402	88072407	NSF315-S	493	1580
88072403	88072408	NSF415-S	493	1830
88072404	88072409	NSF515-S	493	2080

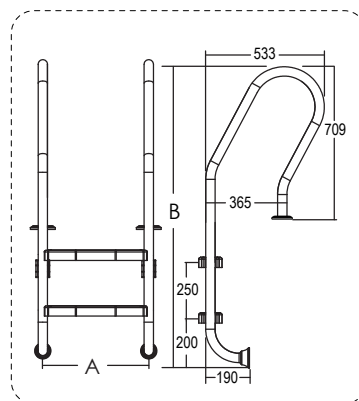
Anchor Type Stainless Steel Step: (with Anti-Slip Pad)

Code (AISI-304)	Code (AISI-316)	Model No.	A mm	B mm
88076701	88076706	NSF215-SR	493	1330
88076702	88076707	NSF315-SR	493	1580
88076703	88076708	NSF415-SR	493	1830
88076704	88076709	NSF515-SR	493	2080

Anchor Type Plastic Step:

Code (AISI-304)	Code (AISI-316)	Model No.	A mm	B mm
88072501	88072506	NSF215-P	476	1330
88072502	88072507	NSF315-P	476	1580
88072503	88072508	NSF415-P	476	1830
88072504	88072509	NSF515-P	476	2080

SFF SERIES



Flange Type Stainless Steel Step:

Code (AISI-304)	Code (AISI-316)	Model No.	A mm	B mm
88071801	88071806	SFF215-S	493	1330
88071802	88071807	SFF315-S	493	1580
88071803	88071808	SFF415-S	493	1830
88071804	88071809	SFF515-S	493	2080

Flange Type Stainless Steel Step: (with Anti-Slip Pad)

Code (AISI-304)	Code (AISI-316)	Model No.	A mm	B mm
88077401	88077406	SFF215-SR	493	1330
88077402	88077407	SFF315-SR	493	1580
88077403	88077408	SFF415-SR	493	1830
88077404	88077409	SFF515-SR	493	2080

Flange Type Plastic Step:

Code (AISI-304)	Code (AISI-316)	Model No.	A mm	B mm
88071901	88071906	SFF215-P	476	1330
88071902	88071907	SFF315-P	476	1580
88071903	88071908	SFF415-P	476	1830
88071904	88071909	SFF515-P	476	2080