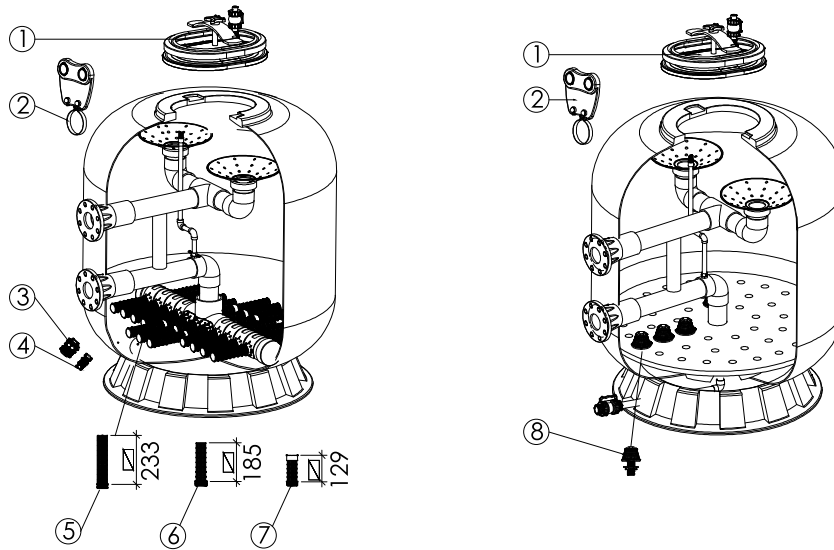


FILTER SERVICE PART LIST

NL Series Nozzle and Lateral



Key No.	Part No.	Description	QTY
1	E012023	Lid with O-ring for NL/K (with Air Purge)	1
	E012087	Lid with O-ring for NL/K (new version with Air Purge)	
1	E012053	Lid with O-ring for NL/K/H (without Air Purge)	1
	E2012088	Lid with O-ring for NL/K/H (new version without Air Purge)	
2	4106191835	Manometer for Commercial Filter Dia. 1.2m	1
2	4106191836	Manometer for Commercial Filter Dia. 1.4m / 1.6m	1
2	4106196471	Manometer for Commercial Filter Dia. 1.8m / 2m	1
2	4106196472	Manometer for Commercial Filter Dia. 2.2m/ 2.3m / 2.5m	1
3	E012017	1.5" Sand Drain Set for NL1200-NL1600	1
3	E012004	2.0" Sand Drain Set for NL1800-NL2500	1
4	E010406	Water Drain Set	1
5	4107210676	Laterals (233mm)	1
6	4107210657	Laterals (185mm)	1
7	01172009	Laterals (129mm)	*
8	4107210656	0.4mm Nozzles	*
Notes:	NL1200 should have 185mm x 8pcs and 233mm x 8pcs and 129mm x 8pcs of laterals		
	NL1400 should have 185mm x 14pcs and 233mm x 8pcs and 129mm x 28pcs of laterals		
	NL1600 should have 185mm x 8pcs and 233mm x 12pcs and 129mm x 12pcs of laterals		
	NL1800 should have 185mm x 4pcs; 233mm x 28pcs of Laterals		
	NL2000 should have 185mm x 8pcs; 233mm x 32pcs; 129mm x 8pcs of Laterals		
	NL2300/2500 should have 185mm x 40pcs; 233mm x 16pcs; 129mm x 48pcs of Laterals		