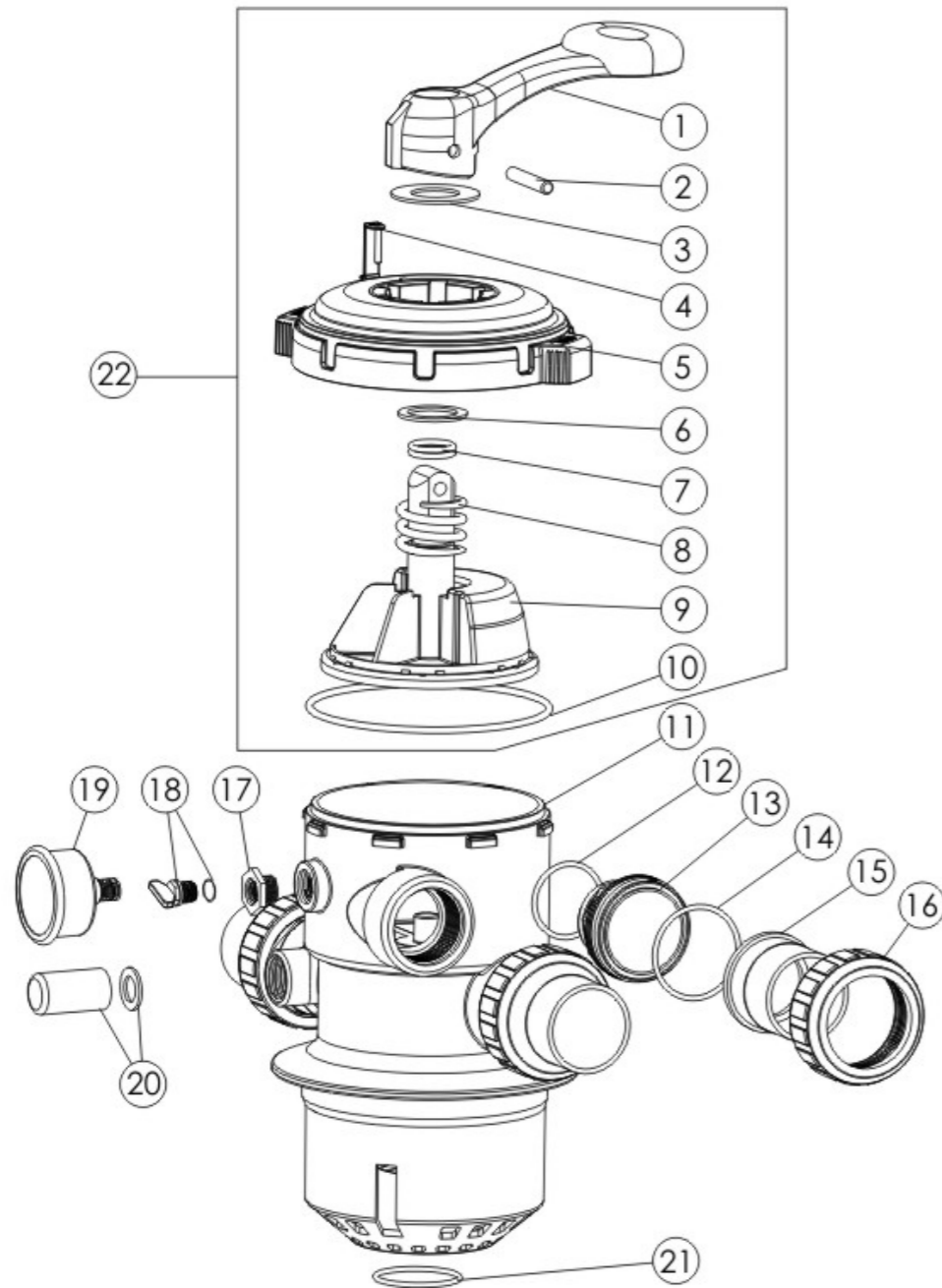


VALVE REPLACEMENT PARTS

Parts of 1.5" CLAMP TYPE MULTIPORT VALVE Model: MPV-07



Key No.	Part No.	Description	Piece(s)
1	1013003	Handle (Big)	1
2	3018008	Pin for Handle	1
3	1181027	Washer for Handle	1
4	1181029	Defend Lock	1
5	1020003	1.5" Lid	1
6	1181002	Washer for Spring	1
7	2011022	O-Ring for Valve Rotor	2
8	3014001	Spring	1
9	89280701	1.5" Valve Rotor with Spider Gasket	1
10	2010002	O-Ring for Lid	1
11	E190136	1.5" Body with Diffuser	1
12	2020013	O-Ring for 1.5" Connector	3
13	1013015	1.5" Connector (Black)	3
13	1051013	1.5" Connector (White)	3
14	2011003	O-Ring for 1.5" Adaptor	3
15	1171153	1.5" Union (Imperial/Metric)	3
16	1013017	1.5" Union Nut (Black)	3
16	1051014	1.5" Union Nut (white)	3
17	E190109	Connector for Pressure Gauge/Stopper	1
18	89021307	Drain Plug with O-Ring	1
19	6021013	Pressure Gauge with O-Ring (40Psi)	1
20	89280104	Sight Glass with O-Ring	1
21	2011001	O-Ring for Diffuser	1
22	9,19E+08	MPV07 Upper Part	1