

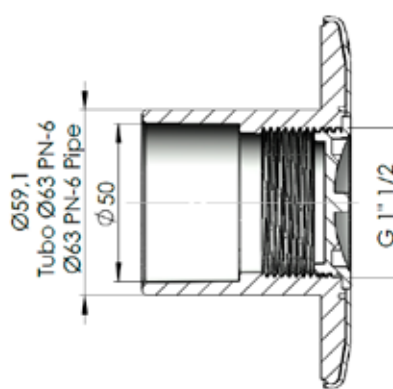
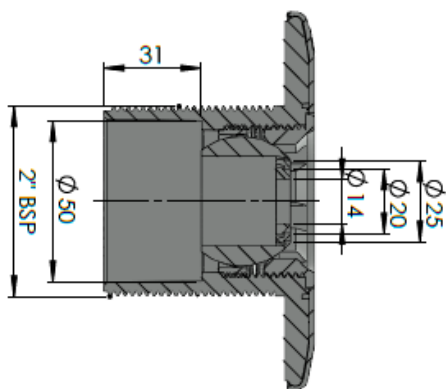
► CONCRETE POOL INLETS



00295




00300



RODUCT DESCRIPTION

- Return inlet (00295) outer 2" thread and $\text{\O}50$ mm inner wall to be glue for 6 bar pipe in concrete pools with a water outlet through a hole multiflow.
- Suction inlet (00300) to glue inside $\text{\O}63$ and to glue inside $\text{\O}50$ mm 6 bar pipe in concrete pools. Made in white ABS. Plug thread 1 1/2". Recommended to be installed with wall conduits 15661 and 15660.

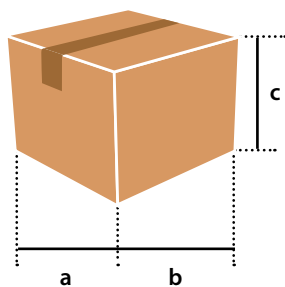
► TECHNICAL CHARACTERISTICS

| CHARACTERISTICS | 00295 | 00300 |
|-----------------|---|-------|
| Return inlet | ✓ | - |
| Suction inlet | - | ✓ |
| Ø internal | Ø50 mm PN6 | |
| Colours |  | |

► LOGISTICS

| ALLETIZED AND PACKAGING | | | | | | |
|-----------------------------------|--------|------|------|--------|------|------|
| Code | 00295 | | | 00300 | | |
| | a | b | c | a | b | c |
| Box sizes (mm) | 200 | 300 | 350 | 200 | 300 | 350 |
| Units / Box | 24 | | | 24 | | |
| Volume / Box (m ³) | 0,021 | | | 0,021 | | |
| Weight / Box (Kg) | 4 | | | 3,8 | | |
| Pallet sizes (mm) | a | b | c | a | b | c |
| | 1000 | 1200 | 1600 | 1000 | 1200 | 1600 |
| Units / Pallet | 1632 | | | 1632 | | |
| Volume / Pallet (m ³) | 1,92 | | | 1,92 | | |
| Weight / Pallet (Kg) | 254,72 | | | 254,72 | | |

► STANDARD BOX



► PALLET

