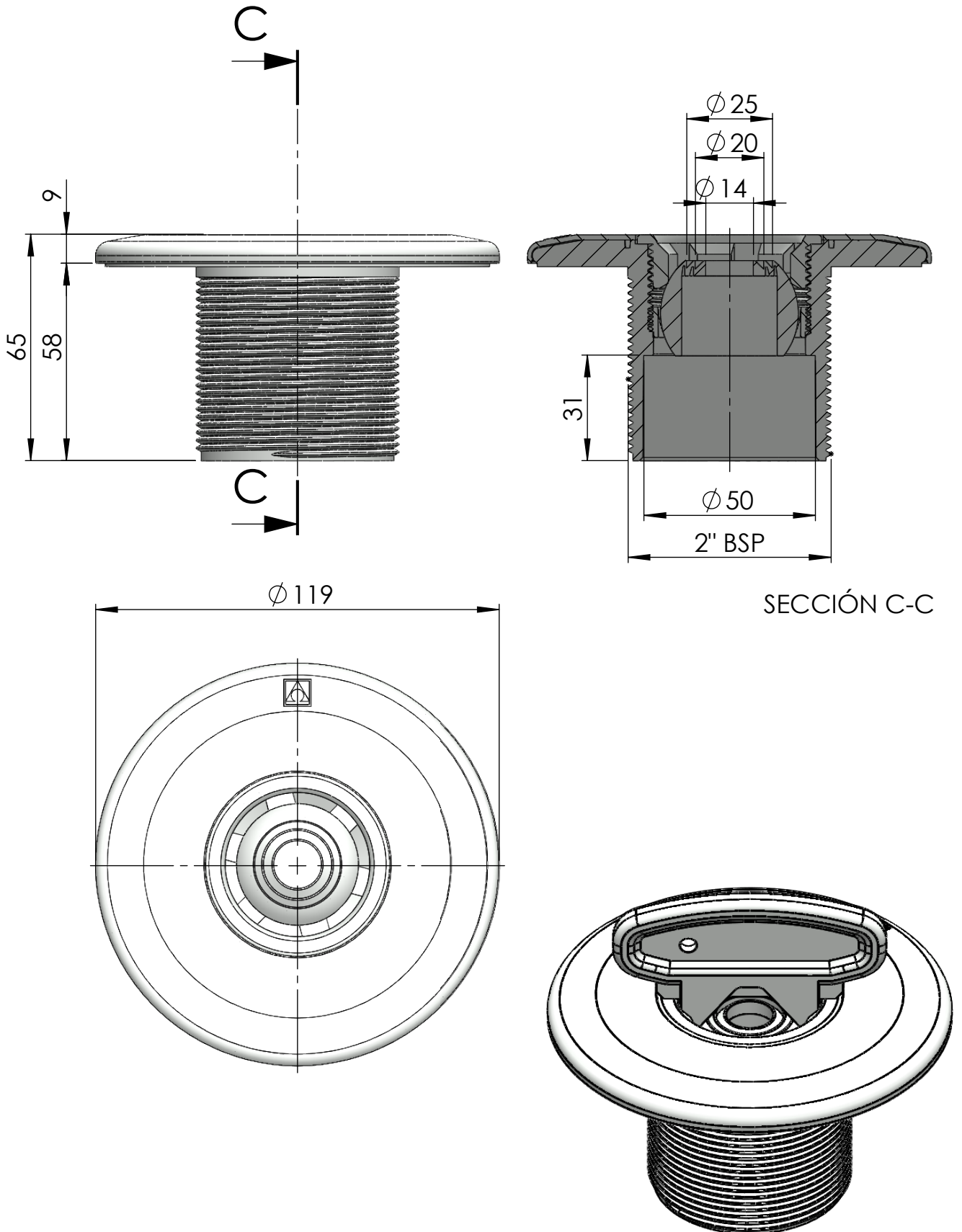


CODIGO / CODE: **00295**

DESCRIPTION: **RETURN INLET MULTIFLOW FOR CONCRETE POOL**



SECCIÓN C-C

Note: Units in mm