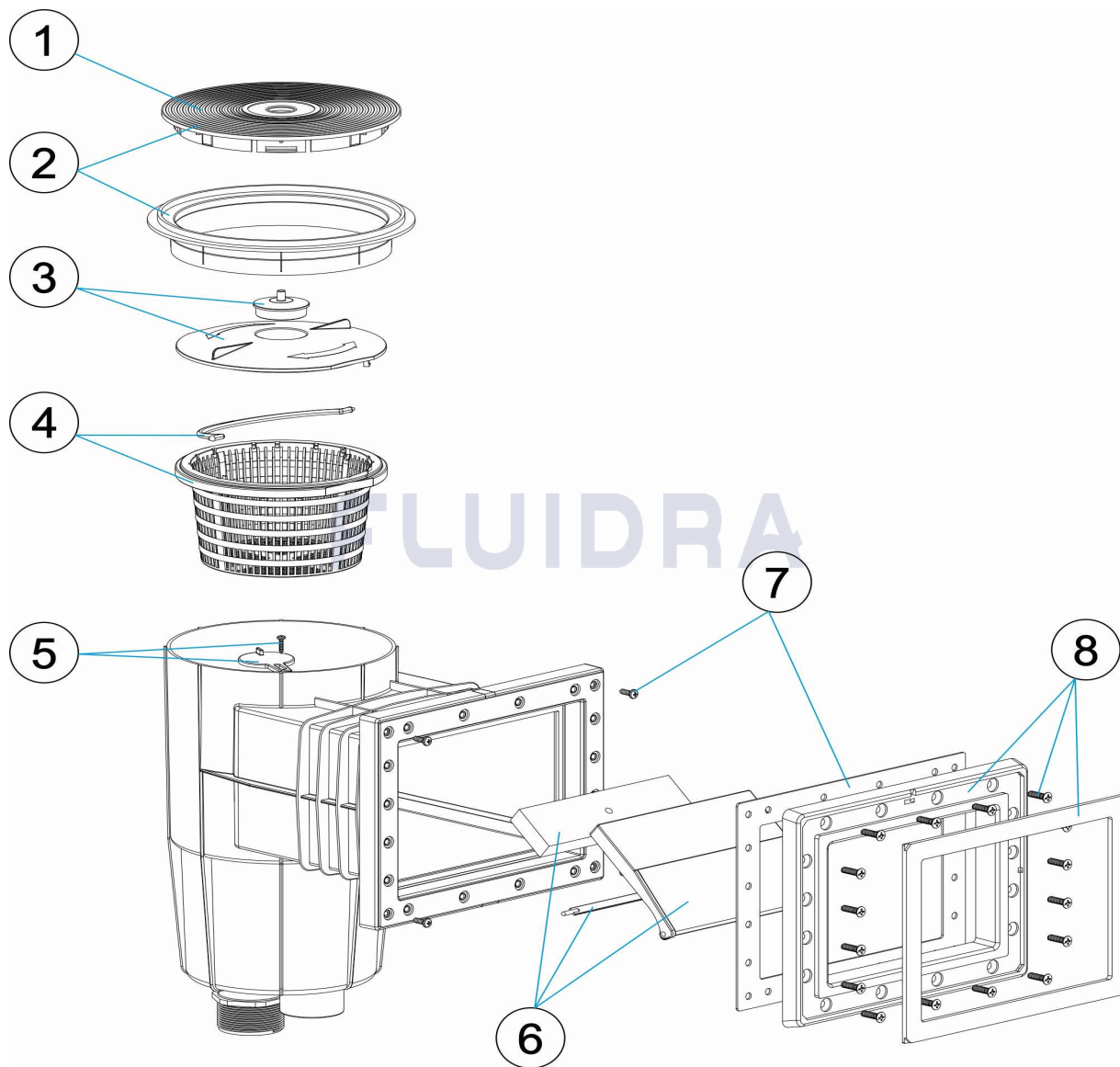


CODE **01461, 01461CL090, 01461CL129, 01461CL144**

DESCRIPTION: **SKIMMER 15L PP B.STD. CIRC. COVER**



POS	CODE	DESCRIPTION	QUANTITY	POS	CODE	DESCRIPTION	QUANTITY
1	* 4402010108	CIRCULAR SKIMMER LID		5	4402010102	KEYHOLE FLAP	
1	* 4402010116	CIRCULAR SKIMMER LID		6	* 4402010101	FLAP RETAINING CLIP	
1	* 4402010117	CIRCULAR SKIMMER LID		6	* 4402010026	FLAP RETAINING CLIP	
1	* 4402010118	CIRCULAR SKIMMER LID		6	* 4402010030	FLAP RETAINING CLIP	
2	* 4402010105	CIRCULAR LID AND LID FRAME		6	* 4402010072	FLAP RETAINING CLIP	
2	* 00249-0600CL090	CIRCULAR LID AND LID FRAME		7	4402014001	SMALL SKIMMER GASKETS FOR LINER PO	
2	* 00249-0600CL129	CIRCULAR LID AND LID FRAME		8	* 4402010308	SMALL SKIMMER FRAME	
2	* 00249-0600CL144	CIRCULAR LID AND LID FRAME		8	* 4402010121	SMALL SKIMMER FRAME	
3	4402010104	VACUUM PLATE WITH PLUG		8	* 4402010126	SMALL SKIMMER FRAME	
4	4402010103	SKIMMER BASKET		8	* 4402010088	SMALL SKIMMER FRAME	

CODE **01461, 01461CL090, 01461CL129, 01461CL144**

DESCRIPTION: **SKIMMER 15L PP B.STD. CIRC. COVER**

OBSERVATIONS

POS	CODE	OBSERVATIONS
1	* 4402010108	FOR: 01461 BLANCO / WHITE
1	* 4402010116	FOR: 01461CL090 BEIGE
1	* 4402010117	FOR: 01461CL129 GRIS / GREY
1	* 4402010118	FOR: 01461CL144 ANTRACITA / ANTHRACITE
2	* 4402010105	FOR: 01461 BLANCO / WHITE
2	* 00249-0600CL090	FOR: 01461CL090 BEIGE
2	* 00249-0600CL129	FOR: 01461CL129 GRIS / GREY
2	* 00249-0600CL144	FOR: 01461CL144 ANTRACITA / ANTHRACITE
6	* 4402010101	FOR: 01461 BLANCO / WHITE
6	* 4402010026	FOR: 01461CL090 BEIGE
6	* 4402010030	FOR: 01461CL129 GRIS / GREY
6	* 4402010072	FOR: 01461CL144 ANTRACITA / ANTHRACITE
8	* 4402010308	FOR: 01461 BLANCO / WHITE
8	* 4402010121	FOR: 01461CL090 BEIGE
8	* 4402010126	FOR: 01461CL129 GRIS / GREY
8	* 4402010088	FOR: 01461CL144 ANTRACITA / ANTHRACITE