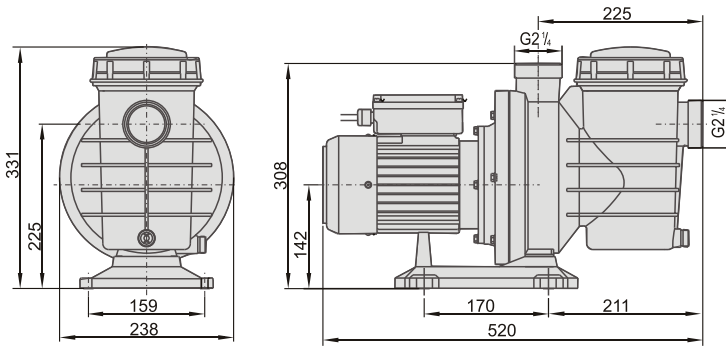
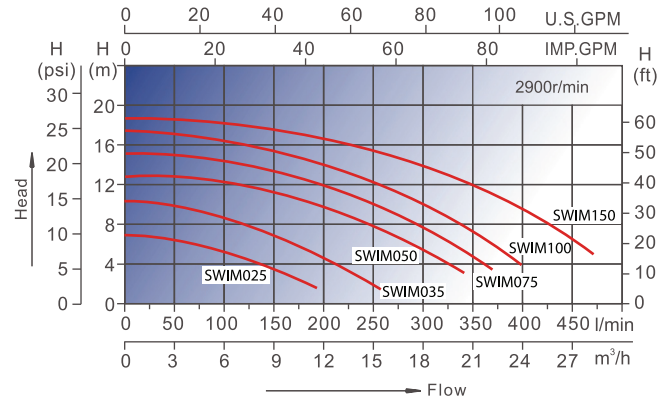


Overall dimension



Performance curves



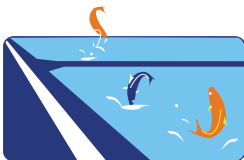
* SUS316 Material hardware that be suitable for clean water and sea water.
* Air switch/ pneumatic switch is optional.



EN 60335-1: 2012+A11
EN 60335-2-41: 2003+A1+A2
EN 60335-2-60: 2003+A1+A2+A11+A12
EN 62233 : 2008
EN60335-2-30 : 2009
EN 60335-2-35 : 2002+A1+A2
EN60335-2-80 : 2003+A1+A2
ERP547 / 2012

SAA

AS/NZS60335.1
AS/NZS60335.2.41



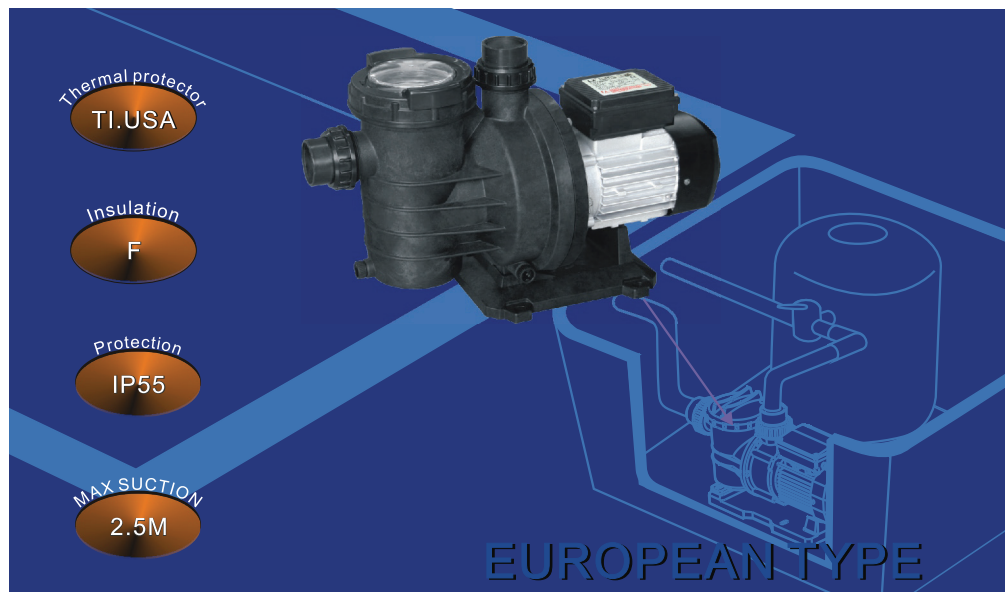
Mariculture circulation filter



Recirculation of water in swimming pool equipment

Working conditions

Medium temperature: 5-50°C
Environmental temperature: ≤50°C
Max. working pressure: 0.3MPa



Technical parameter list

| Model | Qmax (l/min) | Hmax (m) | Curves | V/Hz | Power(P1) | | (Amps) | Fitting size (mm) | (Kg) | Packing size (mm) | (Qty/20') |
|---------|--------------|----------|--------|------------|-----------|------|--------|-------------------|------|-------------------|-----------|
| | | | | | kW | HP | | | | | |
| SWIM025 | 195 | 7 | 1 | 220-240/50 | 0.37 | 0.50 | 1.9 | 48.5or50 | 9.3 | 560×275×390 | 483 |
| SWIM035 | 255 | 10 | 2 | 220-240/50 | 0.55 | 0.75 | 2.7 | 48.5or50 | 9.5 | 560×275×390 | 483 |
| SWIM050 | 340 | 12.5 | 3 | 220-240/50 | 0.75 | 1.0 | 3.8 | 48.5or50 | 9.7 | 560×275×390 | 483 |
| SWIM075 | 370 | 15 | 4 | 220-240/50 | 0.9 | 1.2 | 4.6 | 48.5or50 | 10.5 | 560×275×390 | 483 |
| SWIM100 | 390 | 17.5 | 5 | 220-240/50 | 1.1 | 1.5 | 5.8 | 48.5or50 | 10.9 | 560×275×390 | 483 |
| SWIM150 | 470 | 18.5 | 6 | 220-240/50 | 1.5 | 2.0 | 7.0 | 48.5or50 | 11.5 | 560×275×390 | 483 |

230V/60Hz, 110V/60Hz, 110V/50Hz models are available on request

