

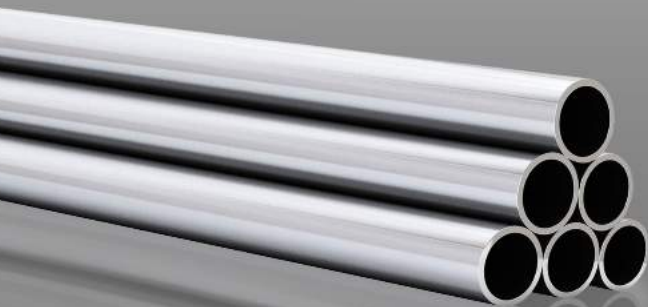
Pool Surrounding Equipment

SUPERIOR CORROSION RESISTANCE

Both anchor and flange type available

Material

Polished Stainless Steel 304 or 316



Pool Ladders

Stainless Steel 304 or 316 ($\phi 42\text{mm}$) tubes with a polished finish



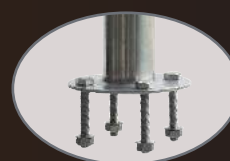
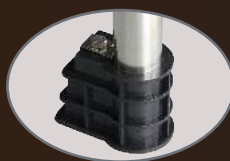
Ancillary Shoring
- is provided with a supporting construction on the wall.



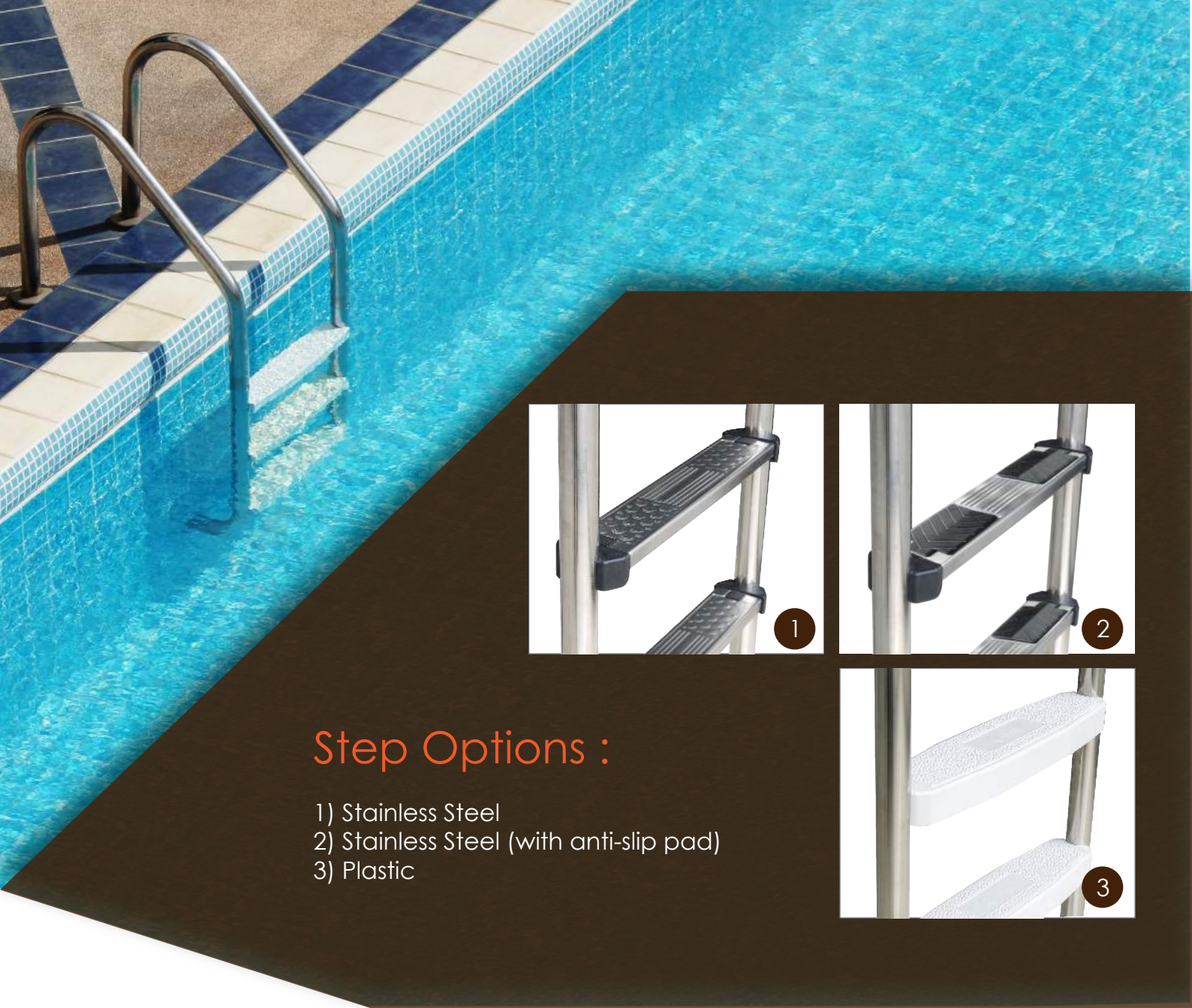
Installation Options :

1) Anchor Type

2) Flange Type



Pool ladders can be easily installed either with anchors embedded in the concrete deck or bolted flanges. The fixtures are concealed by stainless steel escutcheons.



Step Options :

- 1) Stainless Steel
- 2) Stainless Steel (with anti-slip pad)
- 3) Plastic



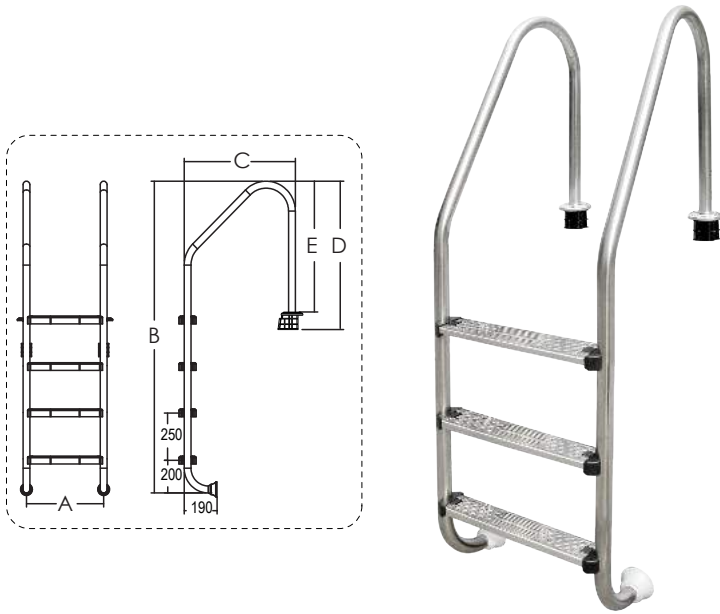
Robust Steel Arms of Pools

Quality ladders provide safety and ease for your pool

Ladder handrails are made of $\phi 42\text{mm}$ tubes in polished stainless steel 304 (or 316 for saltwater pools). Correct selection and proper placement of handrails and ladders add a significant measure of safety to every pool area.

Three kinds of step are available: Plastic, stainless steel, and stainless steel with anti-slip pads. All ladders are available with anchor or flange type fixtures for easy installation.

NSL SERIES



Anchor Type Stainless Steel Step:

Code (AISI-304)	Code (AISI-316)	Model No.	A mm	B mm	C mm	D mm	E mm
88072601	88072606	NSL215-S	493	1320	686	788	708
88072602	88072607	NSL315-S	493	1570	686	788	708
88072603	88072608	NSL415-S	493	1820	686	788	708
88072604	88072609	NSL515-S	493	2070	686	788	708
88072613	88072616	NSL815-S	493	2830	692	699	619

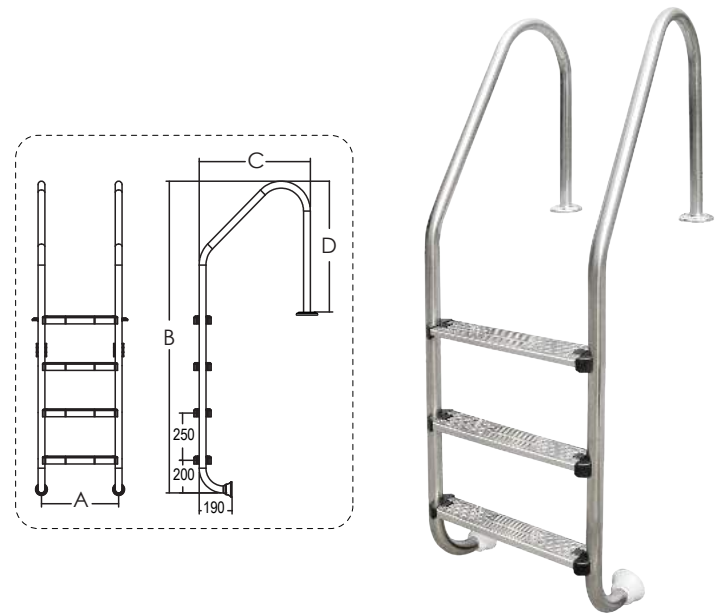
Anchor Type Stainless Steel Step: (with Anti-Slip Pad)

Code (AISI-304)	Code (AISI-316)	Model No.	A mm	B mm	C mm	D mm	E mm
88076501	88076506	NSL215-SR	493	1320	686	788	708
88076502	88076507	NSL315-SR	493	1570	686	788	708
88076503	88076508	NSL415-SR	493	1820	686	788	708
88076504	88076509	NSL515-SR	493	2070	686	788	708
88076513	88076516	NSL815-SR	493	2830	692	699	619

Anchor Type Plastic Step:

Code (AISI-304)	Code (AISI-316)	Model No.	A mm	B mm	C mm	D mm	E mm
88072701	88072706	NSL215-P	476	1320	686	788	708
88072702	88072707	NSL315-P	476	1570	686	788	708
88072703	88072708	NSL415-P	476	1820	686	788	708
88072704	88072709	NSL515-P	476	2070	686	788	708
88072713	88072716	NSL815-P	476	2830	692	699	619

SLF SERIES



Flange Type Stainless Steel Step:

Code (AISI-304)	Code (AISI-316)	Model No.	A mm	B mm	C mm	D mm
88072001	88072006	SLF215-S	493	1320	686	788
88072002	88072007	SLF315-S	493	1570	686	788
88072003	88072008	SLF415-S	493	1820	686	788
88072004	88072009	SLF515-S	493	2070	686	788
88072013	88072016	SLF815-S	493	2830	692	699

Flange Type Stainless Steel Step: (with Anti-Slip Pad)

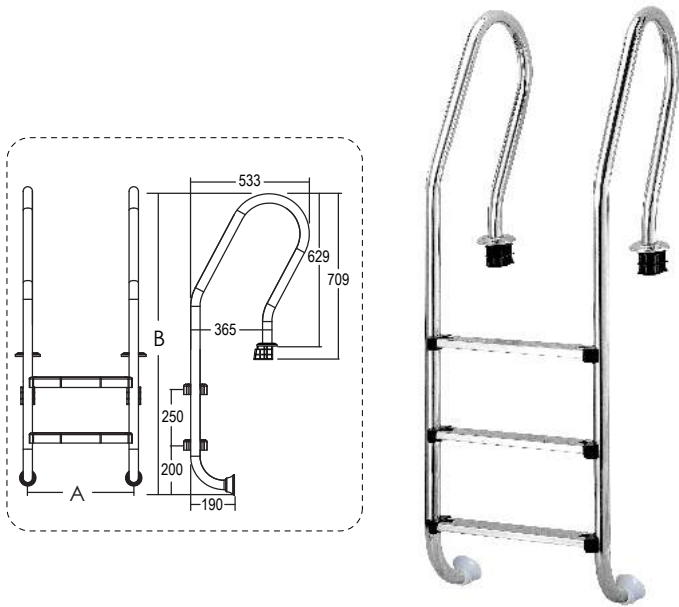
Code (AISI-304)	Code (AISI-316)	Model No.	A mm	B mm	C mm	D mm
88077201	88077206	SLF215-SR	493	1320	686	788
88077202	88077207	SLF315-SR	493	1570	686	788
88077203	88077208	SLF415-SR	493	1820	686	788
88077204	88077209	SLF515-SR	493	2070	686	788
88077213	88077216	SLF815-SR	493	2830	692	699

Flange Type Plastic Step:

Code (AISI-304)	Code (AISI-316)	Model No.	A mm	B mm	C mm	D mm
88072101	88072106	SLF215-P	476	1320	686	788
88072102	88072107	SLF315-P	476	1570	686	788
88072103	88072108	SLF415-P	476	1820	686	788
88072104	88072109	SLF515-P	476	2070	686	788
88072113	88072116	SLF815-P	476	2830	692	699

* Handrails in polished stainless steel 304 or 316 (φ42mm) tube. Steps made of stainless steel and plastic are available. Complete with anchoring or flange fixtures

NSF SERIES



Anchor Type Stainless Steel Step:

Code (AISI-304)	Code (AISI-316)	Model No.	A mm	B mm
88072401	88072406	NSF215-S	493	1330
88072402	88072407	NSF315-S	493	1580
88072403	88072408	NSF415-S	493	1830
88072404	88072409	NSF515-S	493	2080

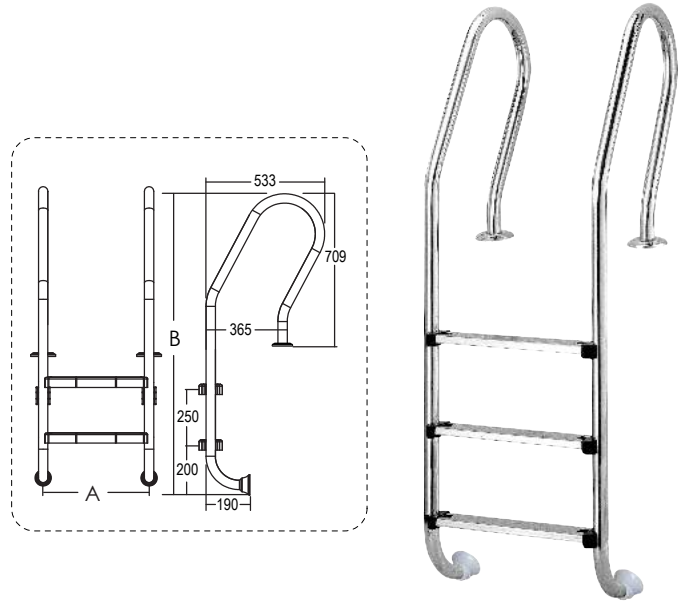
Anchor Type Stainless Steel Step: (with Anti-Slip Pad)

Code (AISI-304)	Code (AISI-316)	Model No.	A mm	B mm
88076701	88076706	NSF215-SR	493	1330
88076702	88076707	NSF315-SR	493	1580
88076703	88076708	NSF415-SR	493	1830
88076704	88076709	NSF515-SR	493	2080

Anchor Type Plastic Step:

Code (AISI-304)	Code (AISI-316)	Model No.	A mm	B mm
88072501	88072506	NSF215-P	476	1330
88072502	88072507	NSF315-P	476	1580
88072503	88072508	NSF415-P	476	1830
88072504	88072509	NSF515-P	476	2080

SFF SERIES



Flange Type Stainless Steel Step:

Code (AISI-304)	Code (AISI-316)	Model No.	A mm	B mm
88071801	88071806	SFF215-S	493	1330
88071802	88071807	SFF315-S	493	1580
88071803	88071808	SFF415-S	493	1830
88071804	88071809	SFF515-S	493	2080

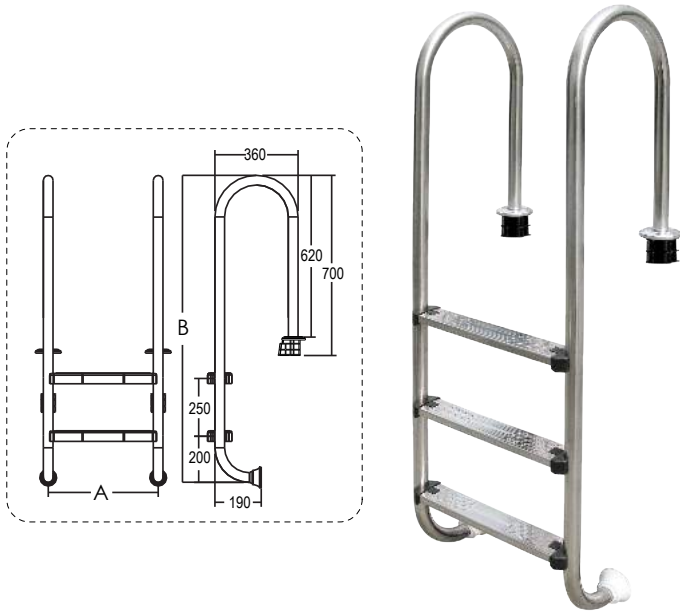
Flange Type Stainless Steel Step: (with Anti-Slip Pad)

Code (AISI-304)	Code (AISI-316)	Model No.	A mm	B mm
88077401	88077406	SFF215-SR	493	1330
88077402	88077407	SFF315-SR	493	1580
88077403	88077408	SFF415-SR	493	1830
88077404	88077409	SFF515-SR	493	2080

Flange Type Plastic Step:

Code (AISI-304)	Code (AISI-316)	Model No.	A mm	B mm
88071901	88071906	SFF215-P	476	1330
88071902	88071907	SFF315-P	476	1580
88071903	88071908	SFF415-P	476	1830
88071904	88071909	SFF515-P	476	2080

NMU SERIES



Anchor Type Stainless Steel Step:

Code (AISI-304)	Code (AISI-316)	Model No.	A mm	B mm
88072801	88072806	NMU215-S	493	1330
88072802	88072807	NMU315-S	493	1580
88072803	88072808	NMU415-S	493	1830
88072804	88072809	NMU515-S	493	2080

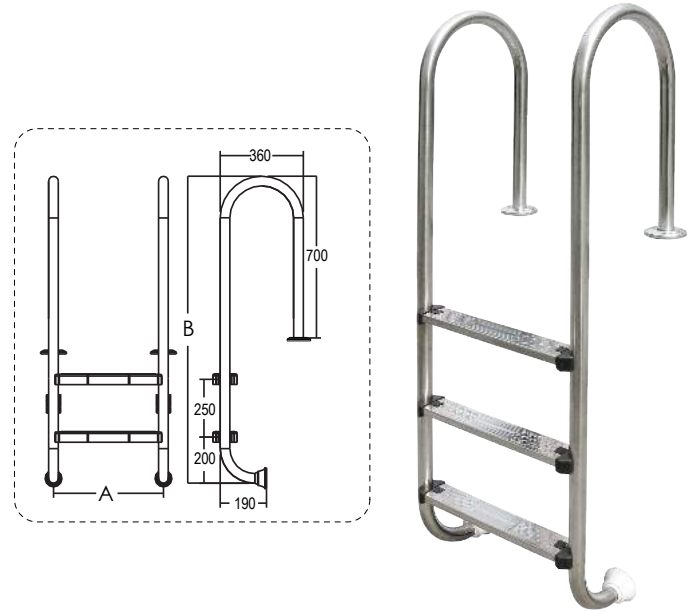
Anchor Type Stainless Steel Step: (with Anti-Slip Pad)

Code (AISI-304)	Code (AISI-316)	Model No.	A mm	B mm
88076601	88076606	NMU215-SR	493	1330
88076602	88076607	NMU315-SR	493	1580
88076603	88076608	NMU415-SR	493	1830
88076604	88076609	NMU515-SR	493	2080

Anchor Type Plastic Step:

Code (AISI-304)	Code (AISI-316)	Model No.	A mm	B mm
88072901	88072906	NMU215-P	476	1330
88072902	88072907	NMU315-P	476	1580
88072903	88072908	NMU415-P	476	1830
88072904	88072909	NMU515-P	476	2080

MUF SERIES



Flange Type Stainless Steel Step:

Code (AISI-304)	Code (AISI-316)	Model No.	A mm	B mm
88072201	88072206	MUF215-S	493	1330
88072202	88072207	MUF315-S	493	1580
88072203	88072208	MUF415-S	493	1830
88072204	88072209	MUF515-S	493	2080

Flange Type Stainless Steel Step: (with Anti-Slip Pad)

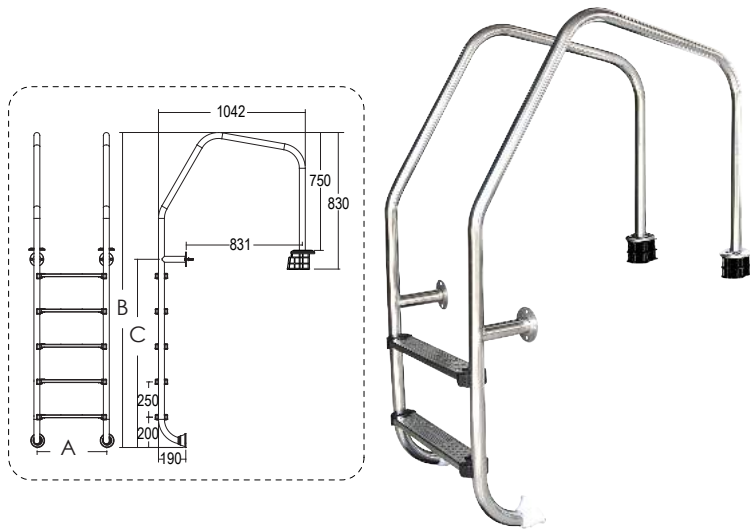
Code (AISI-304)	Code (AISI-316)	Model No.	A mm	B mm
88077301	88077306	MUF215-SR	493	1330
88077302	88077307	MUF315-SR	493	1580
88077303	88077308	MUF415-SR	493	1830
88077304	88077309	MUF515-SR	493	2080

Flange Type Plastic Step:

Code (AISI-304)	Code (AISI-316)	Model No.	A mm	B mm
88072301	88072306	MUF215-P	476	1330
88072302	88072307	MUF315-P	476	1580
88072303	88072308	MUF415-P	476	1830
88072304	88072309	MUF515-P	476	2080

* Handrails in polished stainless steel 304 or 316 (φ42mm) tube. Steps made of stainless steel and plastic are available. Complete with anchoring or flange fixtures

OF SERIES



Anchor Type Stainless Steel Step:

Code (AISI-304)	Code (AISI-316)	Model No.	A mm	B mm	C mm
88073201	88073206	OF215-S	493	1460	561
88073202	88073207	OF315-S	493	1710	811
88073203	88073208	OF415-S	493	1960	1061
88073204	88073209	OF515-S	493	2210	1311

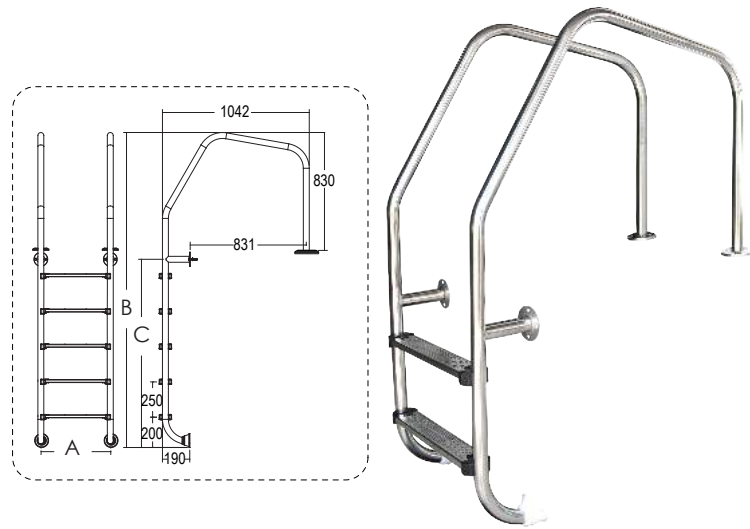
Anchor Type Stainless Steel Step: (with Anti-Slip Pad)

Code (AISI-304)	Code (AISI-316)	Model No.	A mm	B mm	C mm
88076801	88076806	OF215-SR	493	1460	561
88076802	88076807	OF315-SR	493	1710	811
88076803	88076808	OF415-SR	493	1960	1061
88076804	88076809	OF515-SR	493	2210	1311

Anchor Type Plastic Step:

Code (AISI-304)	Code (AISI-316)	Model No.	A mm	B mm	C mm
88073301	88073306	OF215-P	476	1460	561
88073302	88073307	OF315-P	476	1710	811
88073303	88073308	OF415-P	476	1960	1061
88073304	88073309	OF515-P	476	2210	1311

OFF SERIES



Flange Type Stainless Steel Step:

Code (AISI-304)	Code (AISI-316)	Model No.	A mm	B mm	C mm
88073401	88073406	OFF215-S	493	1460	561
88073402	88073407	OFF315-S	493	1710	811
88073403	88073408	OFF415-S	493	1960	1061
88073404	88073409	OFF515-S	493	2210	1311

Flange Type Stainless Steel Step: (with Anti-Slip Pad)

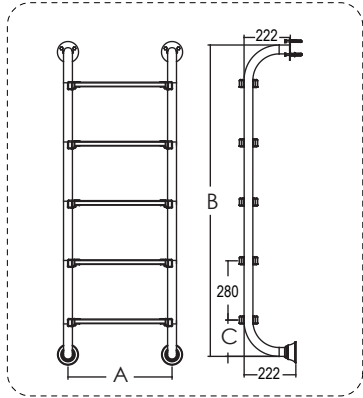
Code (AISI-304)	Code (AISI-316)	Model No.	A mm	B mm	C mm
88077501	88077506	OFF215-SR	493	1460	561
88077502	88077507	OFF315-SR	493	1710	811
88077503	88077508	OFF415-SR	493	1960	1061
88077504	88077509	OFF515-SR	493	2210	1311

Flange Type Plastic Step:

Code (AISI-304)	Code (AISI-316)	Model No.	A mm	B mm	C mm
88073501	88073506	OFF215-P	476	1460	561
88073502	88073507	OFF315-P	476	1710	811
88073503	88073508	OFF415-P	476	1960	1061
88073504	88073509	OFF515-P	476	2210	1311

* Made of polished Stainless Steel tube (φ42mm) with a polished finish. Specially designed for overflow pool. Easily installed with anchoring or flange fixtures.

BHK SERIES (Lower Part)



Stainless Steel Step:

Code (AISI-304)	Code (AISI-316)	Model No.	A mm	B mm	C mm
88075001	88075006	BHK215-S	493	642	181
88075002	88075007	BHK315-S	493	922	181
88075003	88075008	BHK415-S	493	1207	183.5
88075004	88075009	BHK515-S	493	1487	183.5

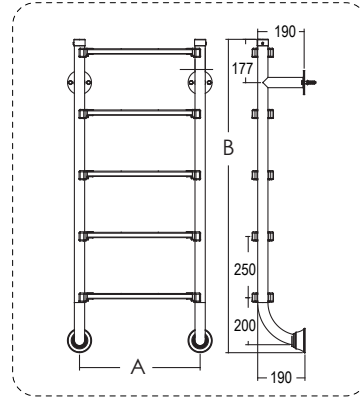
Stainless Steel Step: (with Anti-Slip Pad)

Code (AISI-304)	Code (AISI-316)	Model No.	A mm	B mm	C mm
88077001	88077006	BHK215-SR	493	642	181
88077002	88077007	BHK315-SR	493	922	181
88077003	88077008	BHK415-SR	493	1207	183.5
88077004	88077009	BHK515-SR	493	1487	183.5

Plastic Step:

Code (AISI-304)	Code (AISI-316)	Model No.	A mm	B mm	C mm
88075101	88075106	BHK215-P	476	642	181
88075102	88075107	BHK315-P	476	922	181
88075103	88075108	BHK415-P	476	1207	183.5
88075104	88075109	BHK515-P	476	1487	183.5

BHL SERIES (Lower Part)



Stainless Steel Step:

Code (AISI-304)	Code (AISI-316)	Model No.	A mm	B mm
88073801	88073806	BHL215-S	493	530
88073802	88073807	BHL315-S	493	780
88073803	88073808	BHL415-S	493	1030
88073804	88073809	BHL515-S	493	1280

Stainless Steel Step: (with Anti-Slip Pad)

Code (AISI-304)	Code (AISI-316)	Model No.	A mm	B mm
88077101	88077106	BHL215-SR	493	530
88077102	88077107	BHL315-SR	493	780
88077103	88077108	BHL415-SR	493	1030
88077104	88077109	BHL515-SR	493	1280

Plastic Step:

Code (AISI-304)	Code (AISI-316)	Model No.	A mm	B mm
88073901	88073906	BHL215-P	476	530
88073902	88073907	BHL315-P	476	780
88073903	88073908	BHL415-P	476	1030
88073904	88073909	BHL515-P	476	1280

* Handrails in polished stainless steel 304 or 316 (φ42mm) tube. Steps made of stainless steel and plastic are available. Complete with anchoring or flange fixtures

Other Equipment

Handrails, Shower Heads, Starting Platform and Water Cascade



Other Components :

Straight Handrails

Handrail length in 1m

Code	Type
03016221	AISI-304
03016220	AISI-316



Straight Connector

For joining the $\phi 42\text{mm}$ pipe

Code	Type
03016223	AISI-304
03016222	AISI-316



Curved Connector

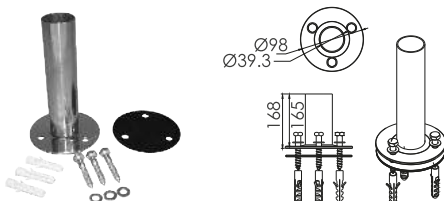
For joining the $\phi 42\text{mm}$ pipe

Code	Type
03016225	AISI-304
03016224	AISI-316



Flange Connection for Anchor Ladder (Pair)

Code	Type
08070007	AISI-304
08070008	AISI-316



End Cap

For the end of $\phi 42\text{mm}$ pipe

Code	Type
03016227	AISI-304
03016226	AISI-316



Straight Bracket with Base Plate

Applicable for both concrete and vinyl pool

Code	Type
08070002	AISI-304
08070001	AISI-316



Exit Handrail



ARA SERIES

Code (AISI-304)	Code (AISI-316)	Model No.	Type
88074105	88074110	ARA	Anchor
88074005	88074010	ARA-F	Flange



Anchor Type

Flange Type

ARG SERIES

Code (AISI-304)	Code (AISI-316)	Model No.	Type
88074505	88074510	ARG	Anchor
88074405	88074410	ARG-F	Flange

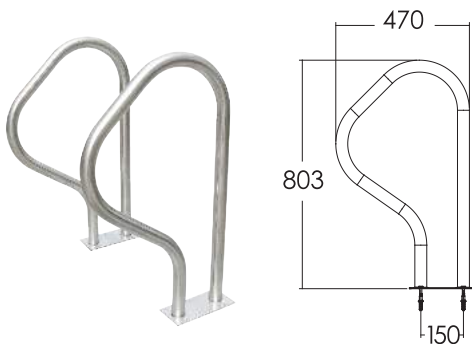


Anchor Type

Flange Type

ARB SERIES

Code (AISI-304)	Code (AISI-316)	Model No.	Type
88074205	88074210	ARB-F	Flange



Flange Type

ARN SERIES

Code (AISI-304)	Code (AISI-316)	Model No.	Type	No. of Steps	L mm	A mm	B mm
88074703	88074708	ARN415	Anchor	4	1220	882	608
88074704	88074709	ARN515	Anchor	5	1524	882	855
88074603	88074608	ARN415-F	Flange	4	1220	882	608
88074604	88074609	ARN515-F	Flange	5	1524	882	855



Anchor Type

Flange Type



ARP SERIES

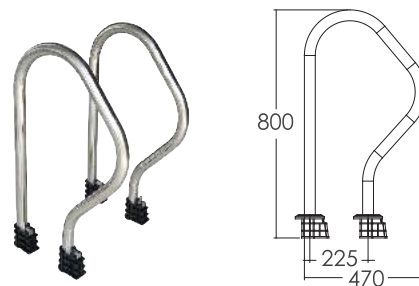
Code (AISI-304)	Code (AISI-316)	Model No.	Type
88073005	88073010	ARP	Anchor
88073605	88073610	ARP-F	Flange



Anchor Type Flange Type

ARV SERIES

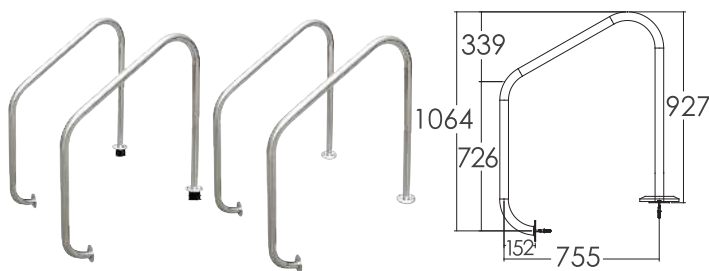
Code (AISI-304)	Code (AISI-316)	Model No.	Type
88073105	88073110	ARV	Anchor



Anchor Type

ARS SERIES

Code (AISI-304)	Code (AISI-316)	Model No.	Type
88074905	88074910	ARS	Anchor
88074805	88074810	ARS-F	Flange



Anchor Type Flange Type

STRAIGHT GRABRAIL

Code (AISI-304)	Code (AISI-316)	Model No.	L mm
88076417	88076423	L50	500
88076418	88076424	L100	1000
88076419	88076425	L150	1500
88076420	88076426	L200	2000
88076421	88076427	L250	2500
88076422	88076428	L300	3000

