



„Together with a culture of work, there must be a culture of leisure as gratification. To put it another way: people who work must take the time to relax, to be with their families to enjoy themselves, read, listen to music, play a sport.“

Pope Francis



**RHINO
POOLS**

for Quality time



Content

About us	1
Technology	7
Pool range	8
Color range	10
Rio	12
Bliss	13
Flash	15
Balance	16
Corsica	17
Aurora	18
Gravity	21
Halo	22
Monaco	24

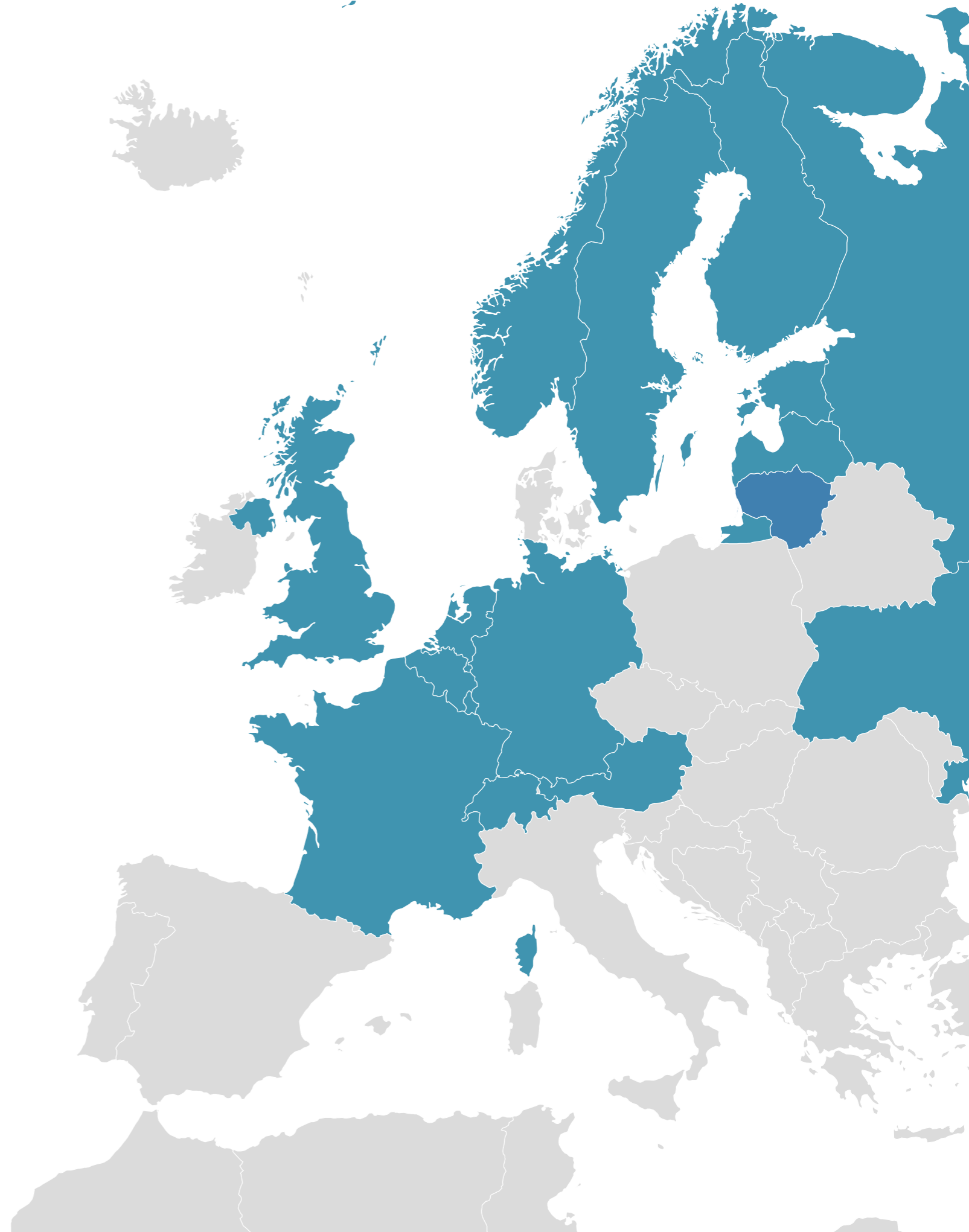
About us

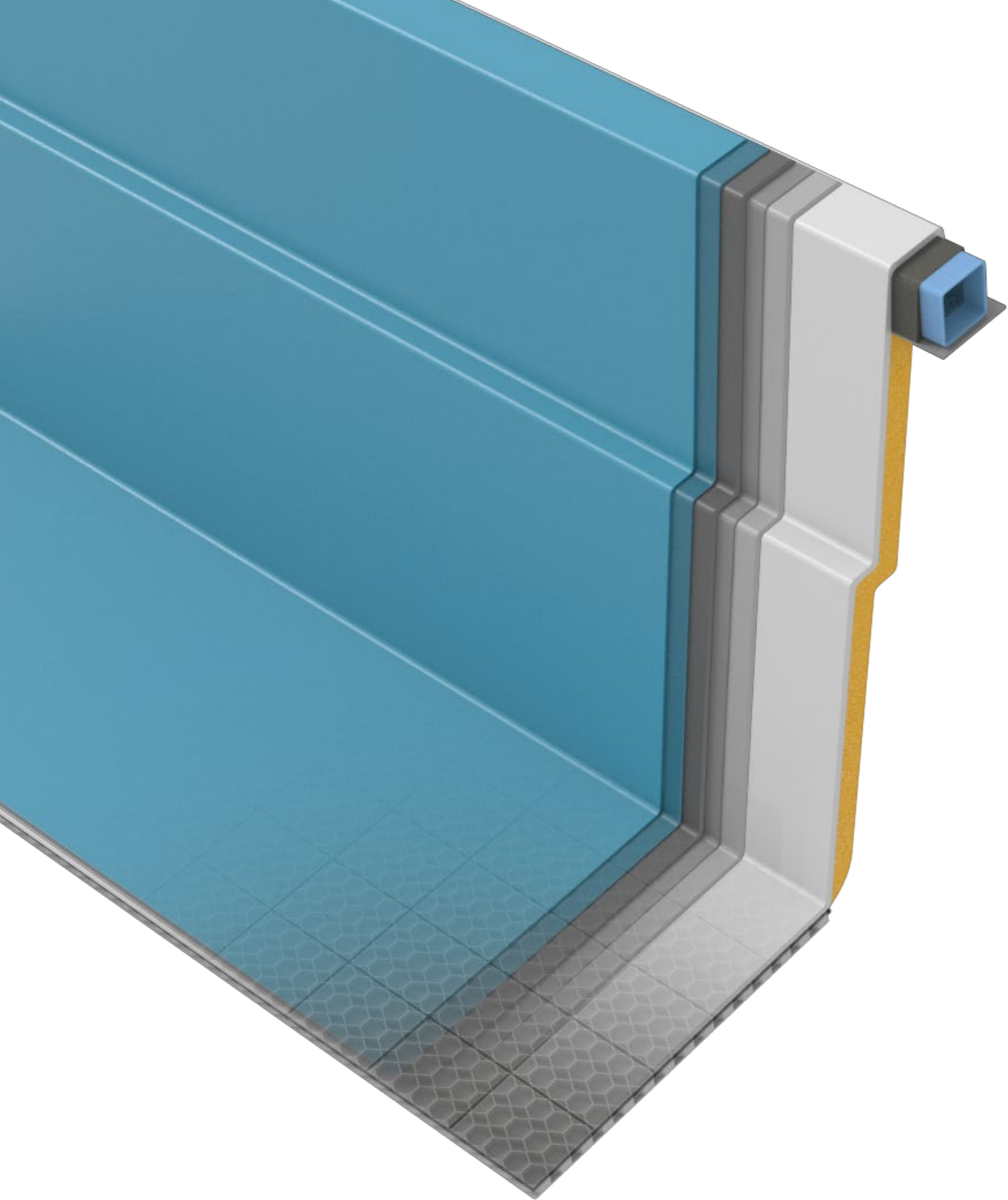
Company Rhino Pools is subsidiary company and belongs to a group of companies that have been working with fiberglass since 1998.

SEPARATE PRODUCTIONS LINES WE ARE WORKING ON:

- Acrylic and ABS forming – Bathtubs „Kyma”.
- Mold and model manufacturing for other fiberglass, plastic industry companies.
- Fiberglass, plastic products in small and large quantities by using manual laminating, vacuum laminating with vacuum film or back-sided molds.

Our pool factory produces over 500 pools per year, which are sold through the dealer network throughout Europe, as well as in the East and the Middle East.





Technology

Our pools are made to last.

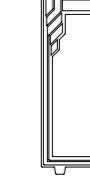
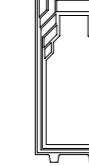
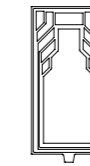
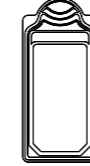
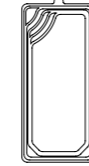
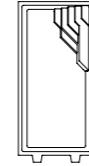
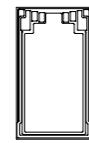
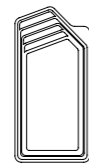
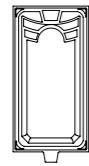
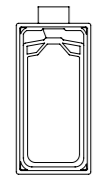
Production starts with highest quality materials & manual fiberglass forming. 10-layer wall structure, extra ceramic and fiberglass reinforcement layers, double bottom and sprayed-over foam insulation guarantees long lasting product, which is leakproof forever!

- **GELCOAT LAYER 1** - first color tone with UV & osmose protection.
- **GELCOAT LAYER 2** - second color tone with additional osmosis protection properties.
- **VINYLESTER GELCOAT LAYER** - provides maximum resistance to chemicals, solvents.
- **VINYLESTER GELCOAT LAYER 2** - reinforced by fiber-glass
- **VINYLESTER GELCOAT LAYER 3** - with special ceramic reinforcement.
- **LAMINATED STEEL BEAM** - for perimeter stability and rigidity.
- **STRUCTURAL FIBERGLASS LAYER 1**
- **STRUCTURAL FIBERGLASS LAYER 2**
- **STRUCTURAL FIBERGLASS LAYER 3**
- **PU FOAM** - thermal insulation layer
- **STRUCTURAL HONEYCOMB LAYER** - extra protection for pool flooring.

The production of fiberglass products started back in 1998, we have developed extensive experience over the last 20 years. All pools pass strict quality control and we can proudly guaranty that Rhino pools are leakproof for life.



POOL RANGE



Rio

Bliss

Flash

Balance

Corsica

Aurora

Gravity

Halo 8

Halo 9

Monaco 650

Monaco 750

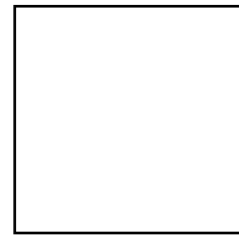
Monaco 850

Monaco 1000

LENGTH	4,75 m	5 m	6 m	6,4 m	7,4 m	7,65 m	8,2 m	8 m	9,5 m	6,5 m	7,5 m	8,5 m	10 m
WIDTH	2,43 m	2,65 m	3m	3,6 m	3,7 m	3,7 m	3,5 m	3,7 m	3,7 m	3,3 m	3,7 m	3,7 m	3,7 m
DEPTH	1,35 m	1,4 m	1,45 m	1,38 m	1,5 m	1,5 m	1,55 m	1,5 m	1,5 m	1,5 m	1,5 m	1,5 m	1,5 m
SURFACE AREA	9,5 m ²	11,4 m ²	13,6 m ²	20,4 m ²	22,3 m ²	22,8 m ²	22,8 m ²	28,4 m ²	27,5 m ²	18,6 m ²	24,4 m ²	27,7 m ²	32,8 m ²
VOLUME	8,5 m ³	10,74 m ³	13,4 m ³	20,2 m ³	26,4 m ³	24,2 m ³	24,2 m ³	31,6 m ³	28,8 m ³	18,6m ³	25,9 m ³	30,1 m ³	36,3 m ³
WEIGHT	400 kg	450 kg	500 kg	680 kg	840 kg	850 kg	820 kg	830 kg	1100 kg	630 kg	900 kg	1000 kg	1250 kg

COLOR RANGE

STANDARD COLORS



WHITE FROST



AQUA BLUE

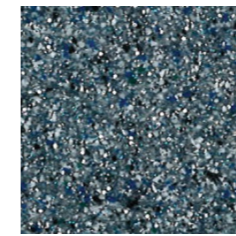


STEEL GRAY

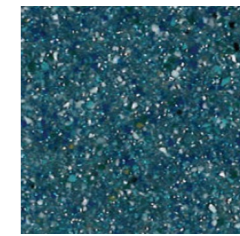


SHADOW GRAY

3D COLORS



NAVY PEARL



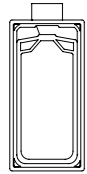
OCEAN PEARL



REEF PEARL



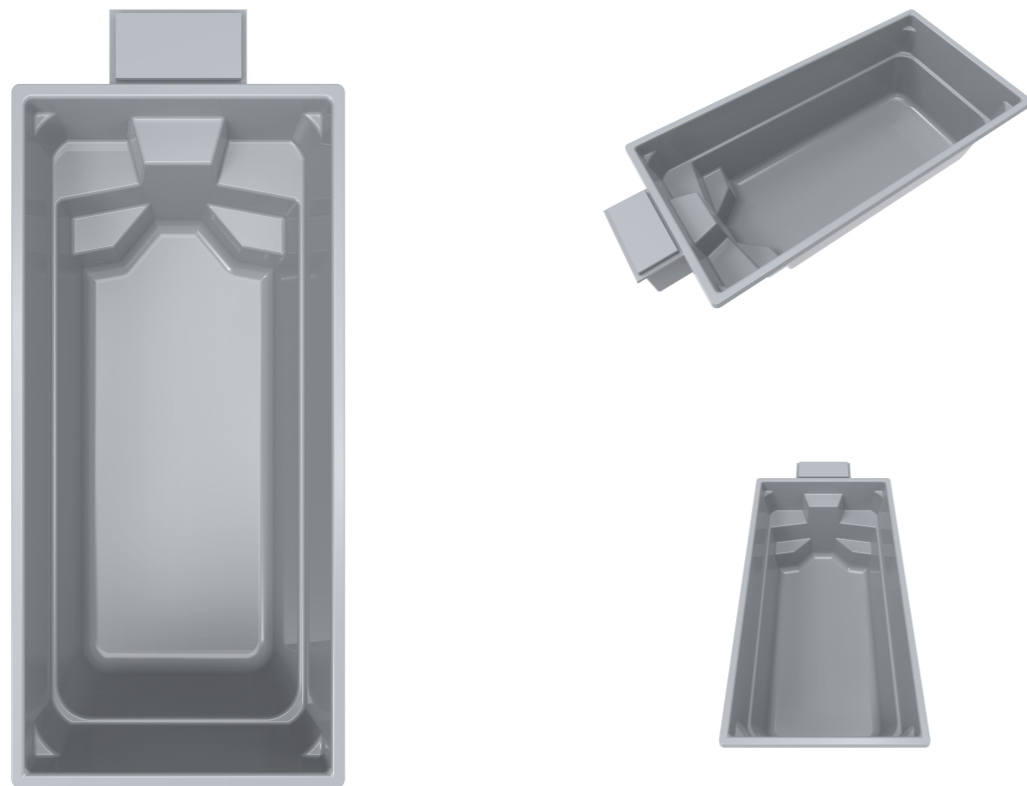
BEACH PEARL



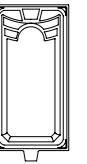
Rio

4,7m

Perfect pool for cozy backyard in urban area or for people who want smaller size pool. Pool comes pre-installed with filter, electric heater, swim jet and 4 rotating massage jets.



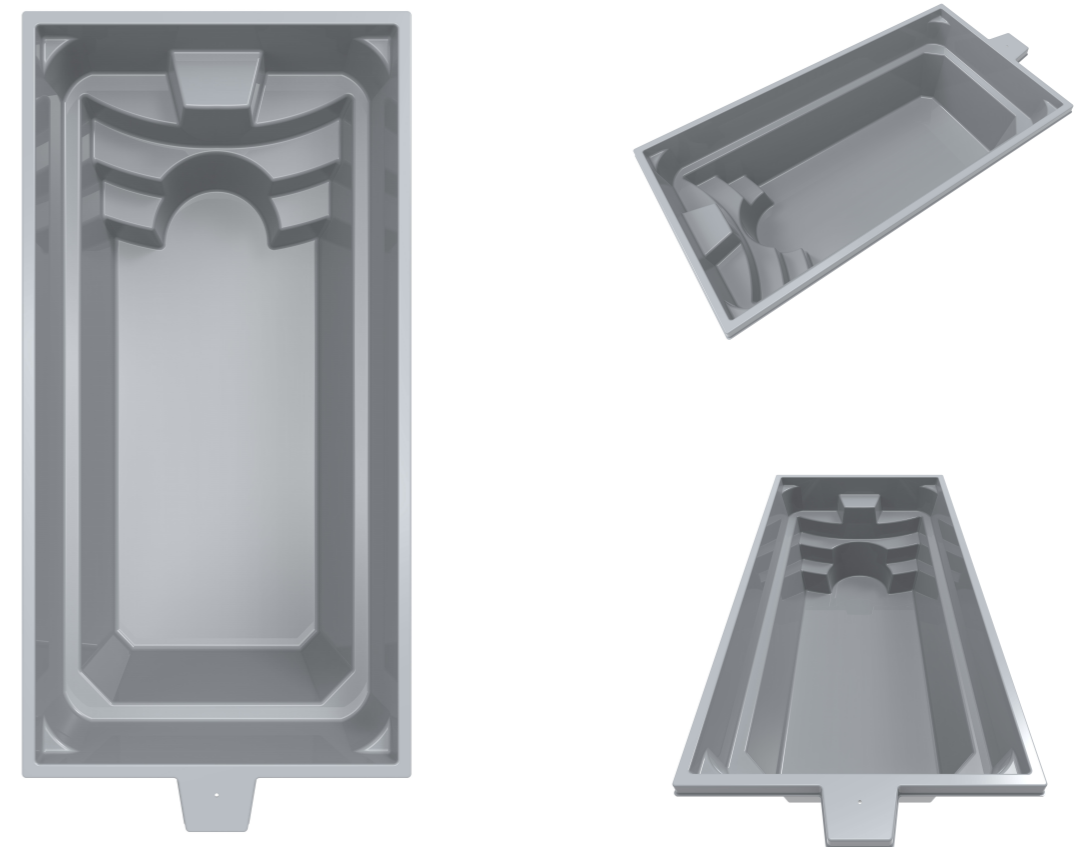
LENGTH	WIDTH	DEPTH	SURFACE AREA	VOLUME	WEIGHT
4.75 m	2.43 m	1.35 m	9.5 m ²	8.5 m ³	400 kg



Bliss

5m

Rio brother for those who want to choose filtration or massage systems by themselves.



LENGTH	WIDTH	DEPTH	SURFACE AREA	VOLUME	WEIGHT
5 m	2.65 m	1.40 m	11.4 m ²	10.74 m ³	450 kg

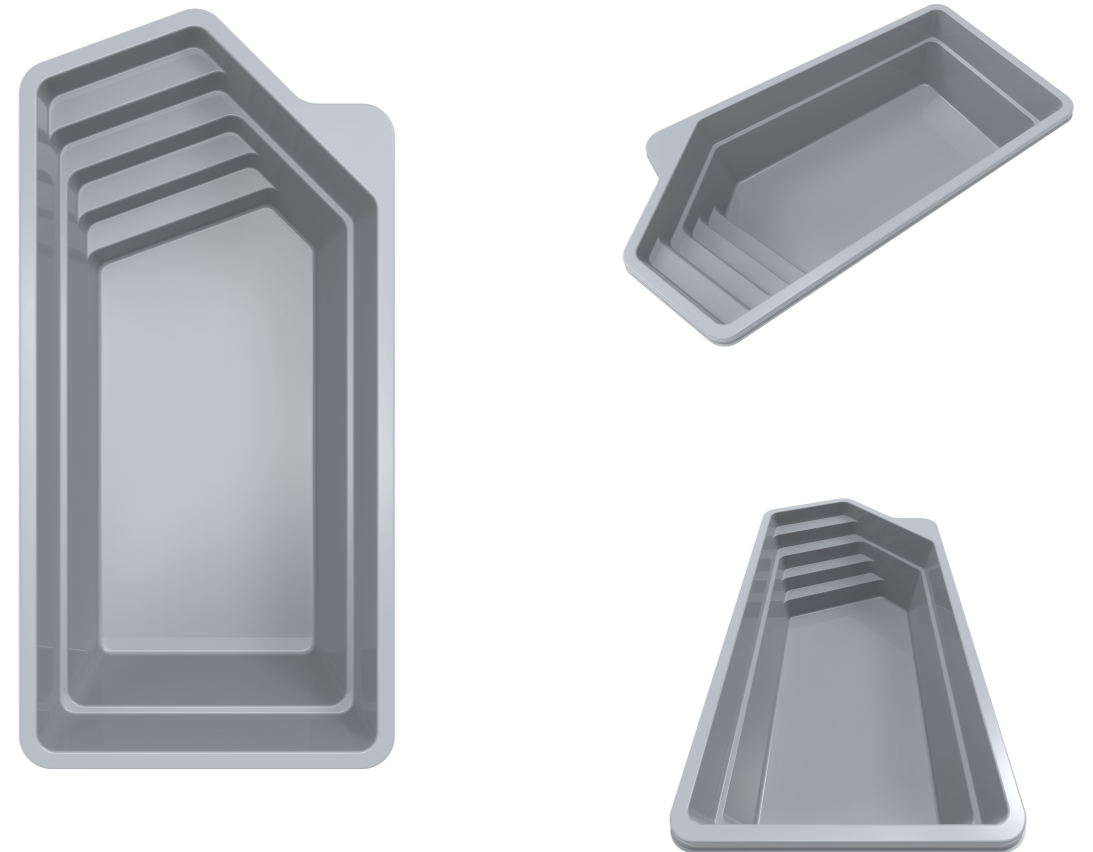


Flash

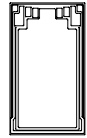
6m



Extraordinary shaped pool with spacious entrance.



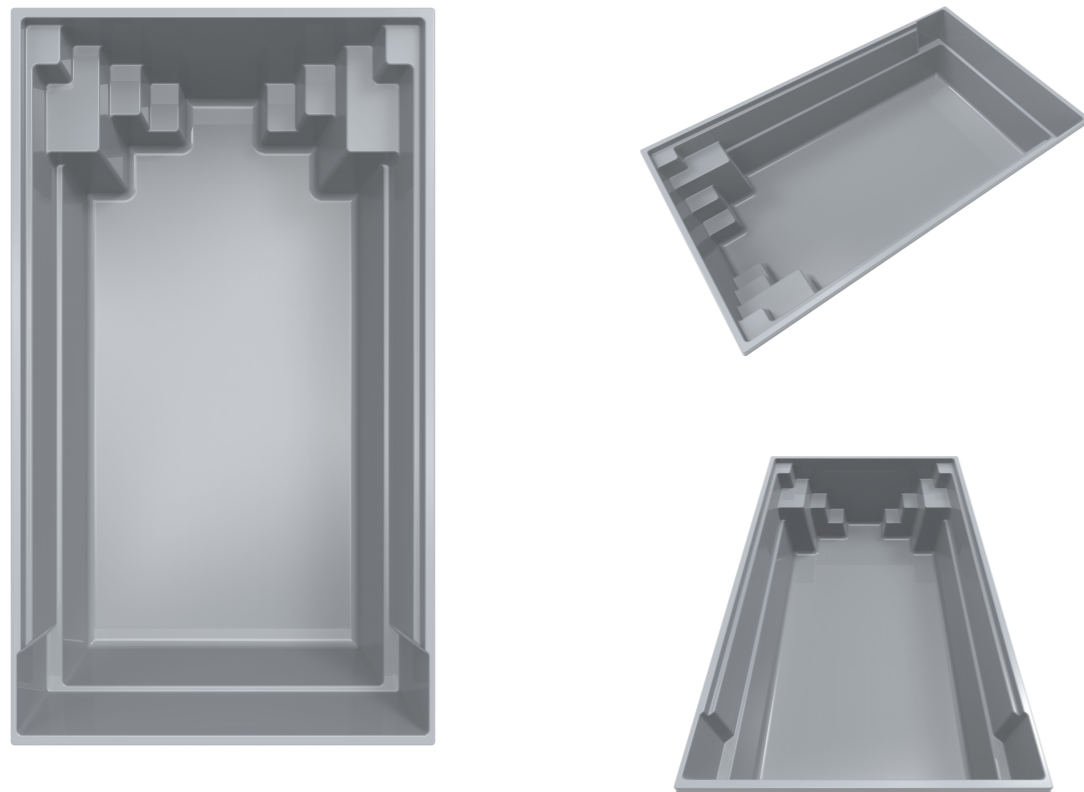
LENGTH	WIDTH	DEPTH	SURFACE AREA	VOLUME	WEIGHT
6 m	3 m	1,45 m	13,6 m ²	13,4 m ³	500 kg



Balance

6,4m

Modern and sleek design for Your pleasure. Pool can be made as standard skimmer version and as overflow version with a channel around the pool. Balance is made with a pit in the end for slatted cover of Your choice.

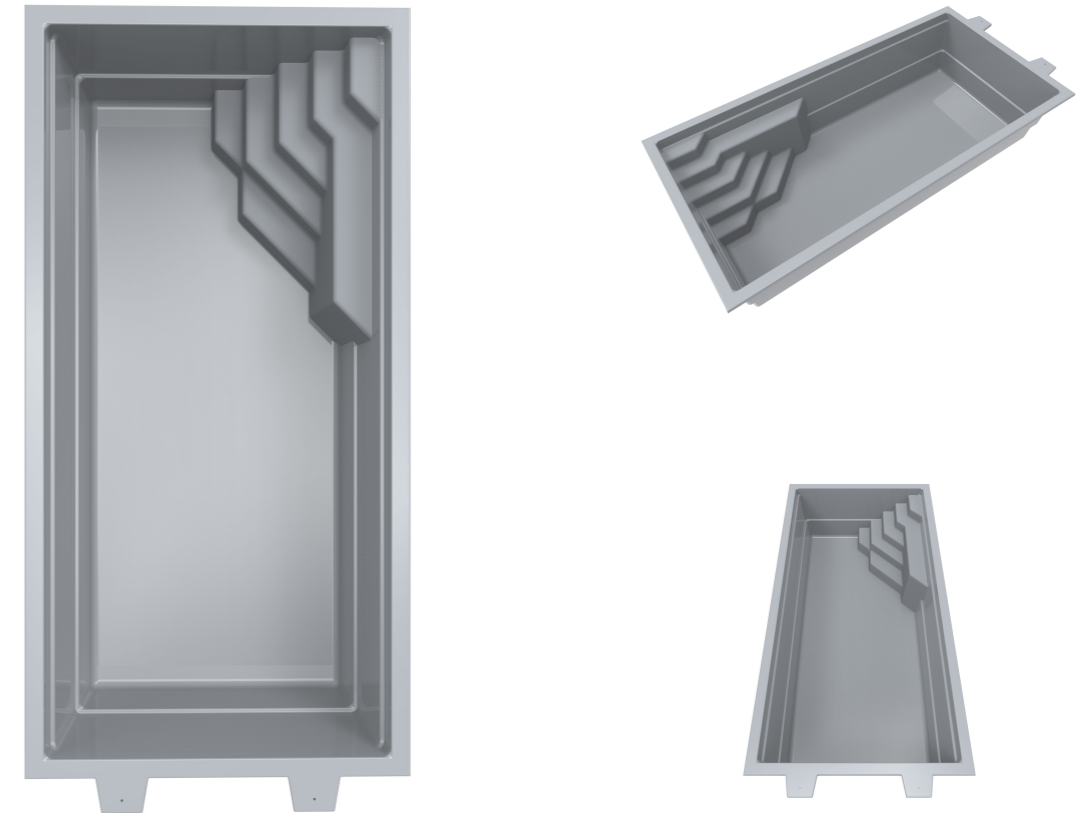
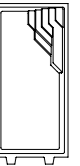


LENGTH	WIDTH	DEPTH	SURFACE AREA	VOLUME	WEIGHT
6,4 m	3,6 m	1,38 m	20,4 m ²	20,2 m ³	680 kg

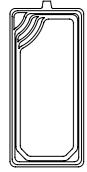
Corsica

7,4m

Our newest pool model which combines thoughtful design and comfort. Convenient pool stairs shape and a bench for relaxation creates best experience possible to enjoy pool every day.



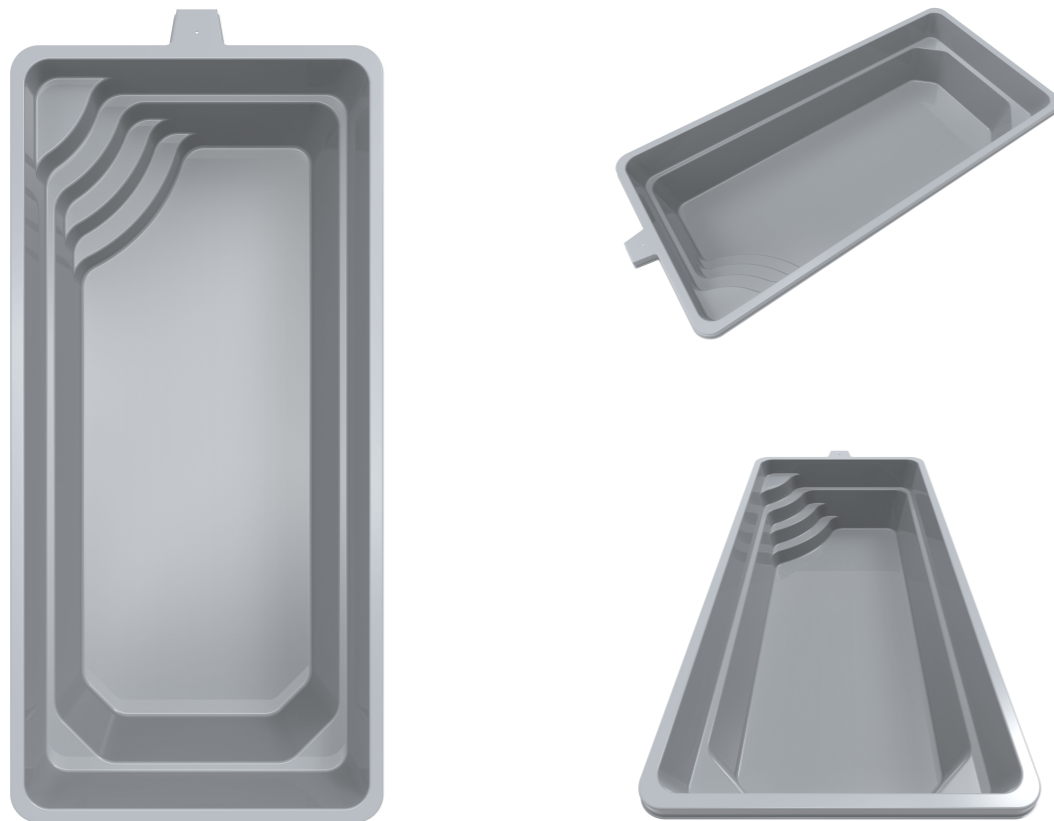
LENGTH	WIDTH	DEPTH	SURFACE AREA	VOLUME	WEIGHT
7,4 m	3,7 m	1,5m	22,3 m ²	26,4 m ³	840 kg



Aurora

7,65m

Mid-size pool with minimalistic stair shape for pure joy of swimming experience.



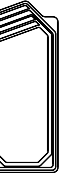
LENGTH	WIDTH	DEPTH	SURFACE AREA	VOLUME	WEIGHT
7,65 m	3,7 m	1,5 m	22,8 m ²	24,2 m ³	850 kg



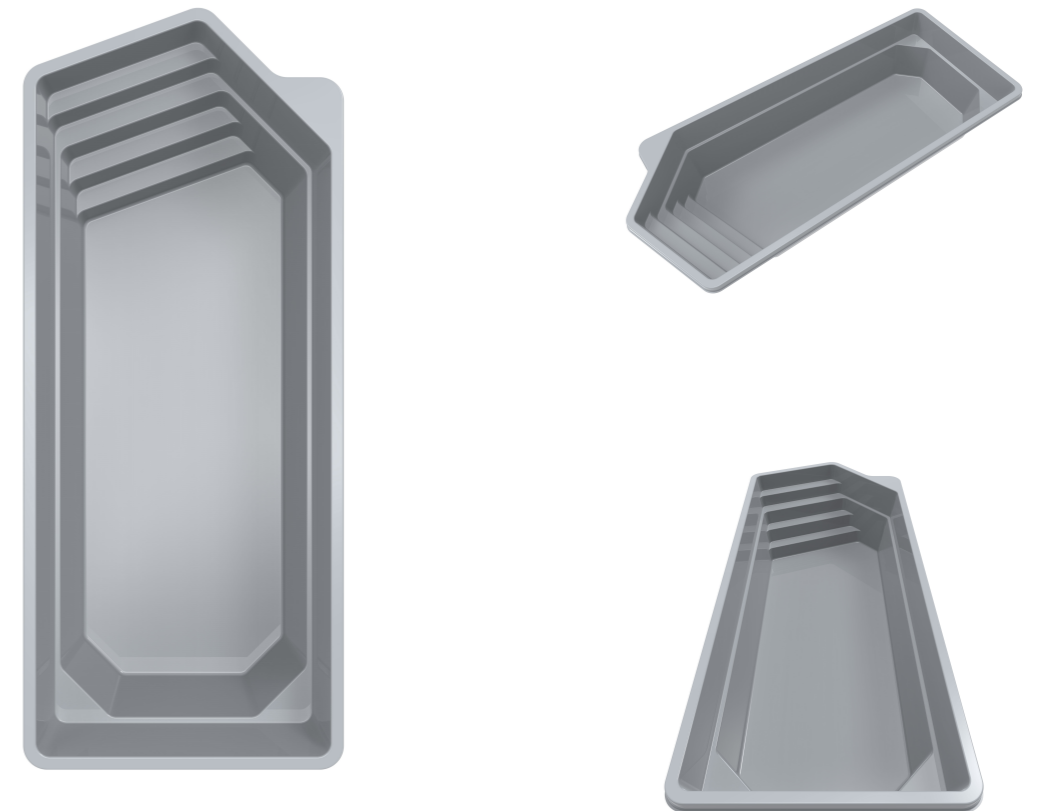


Gravity

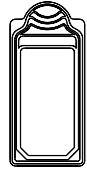
8,2m



Big brother of pool Flash.
Wide entrance compliments pool length
and endless possibilities.



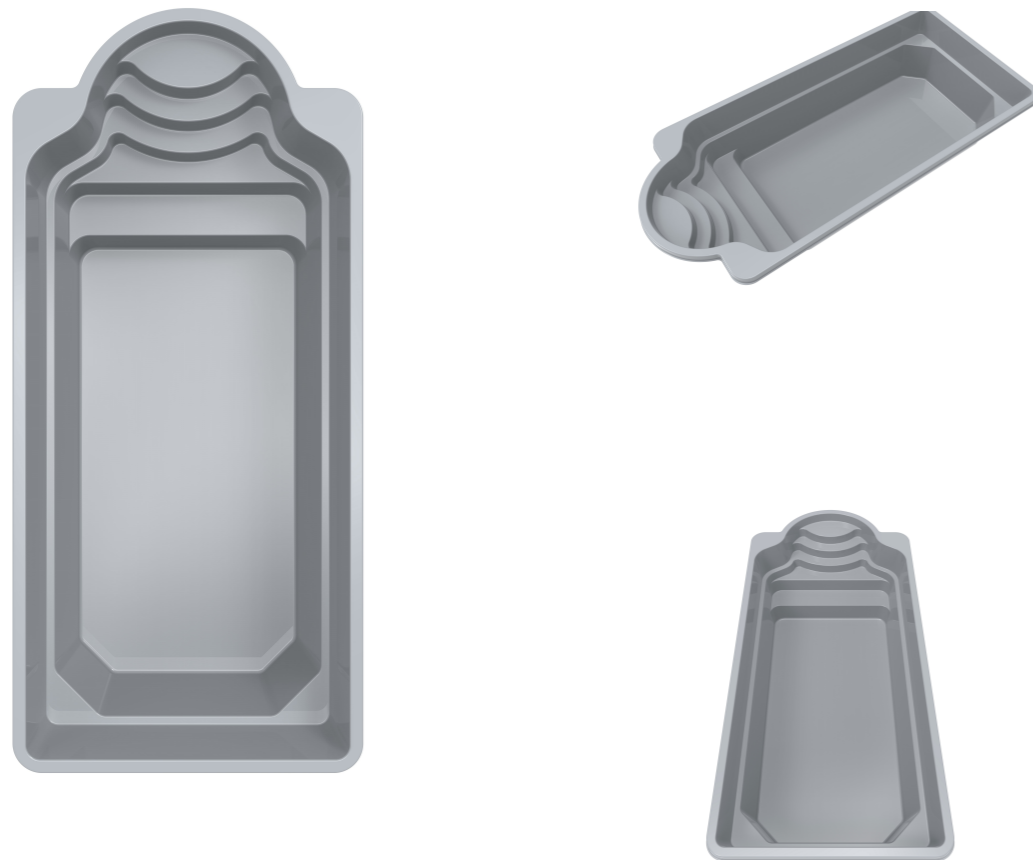
LENGTH	WIDTH	DEPTH	SURFACE AREA	VOLUME	WEIGHT
8.2 m	3.5 m	1.55 m	22.8 m ²	24.2 m ³	820kg



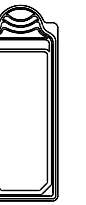
Halo 8

8m

Pool with elegant Roman style stairs to complement the design of your yard.



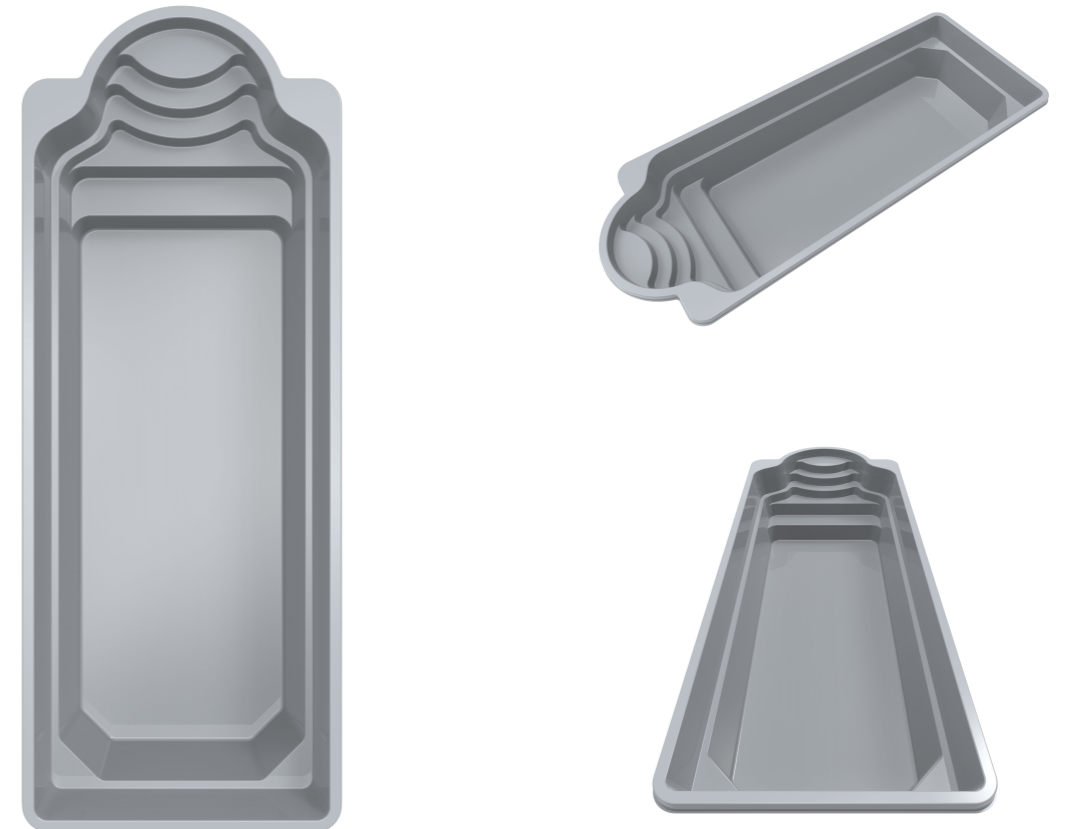
LENGTH	WIDTH	DEPTH	SURFACE AREA	VOLUME	WEIGHT
8 m	3.7 m	1.5 m	28.4 m ²	31,6 m ³	830 kg



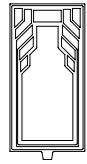
Halo 9

9,5m

Bigger Halo model with the same Roman style stairs.



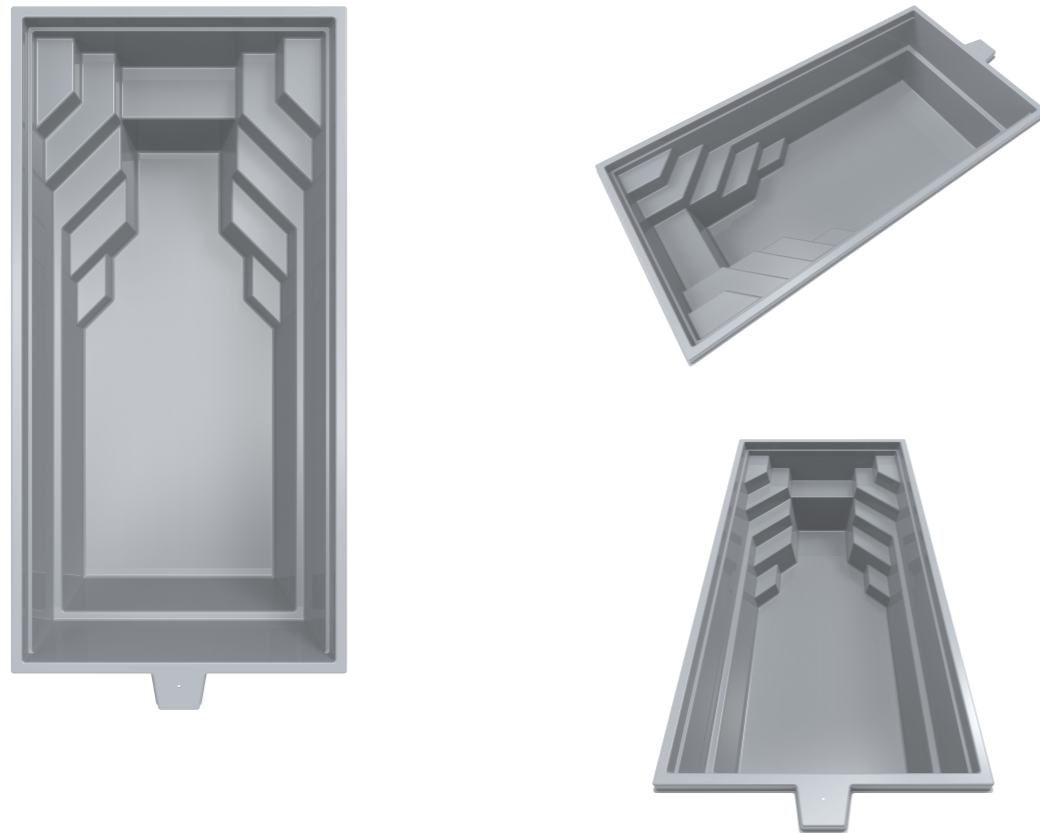
LENGTH	WIDTH	DEPTH	SURFACE AREA	VOLUME	WEIGHT
9,5 m	3.7 m	1.5 m	27.5 m ²	28.8 m ³	1100 kg



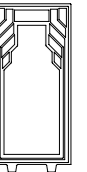
Monaco 650

6,5m

First and smallest Monaco series pool.
Modern and elegant design makes Monaco most popular pools in our range.



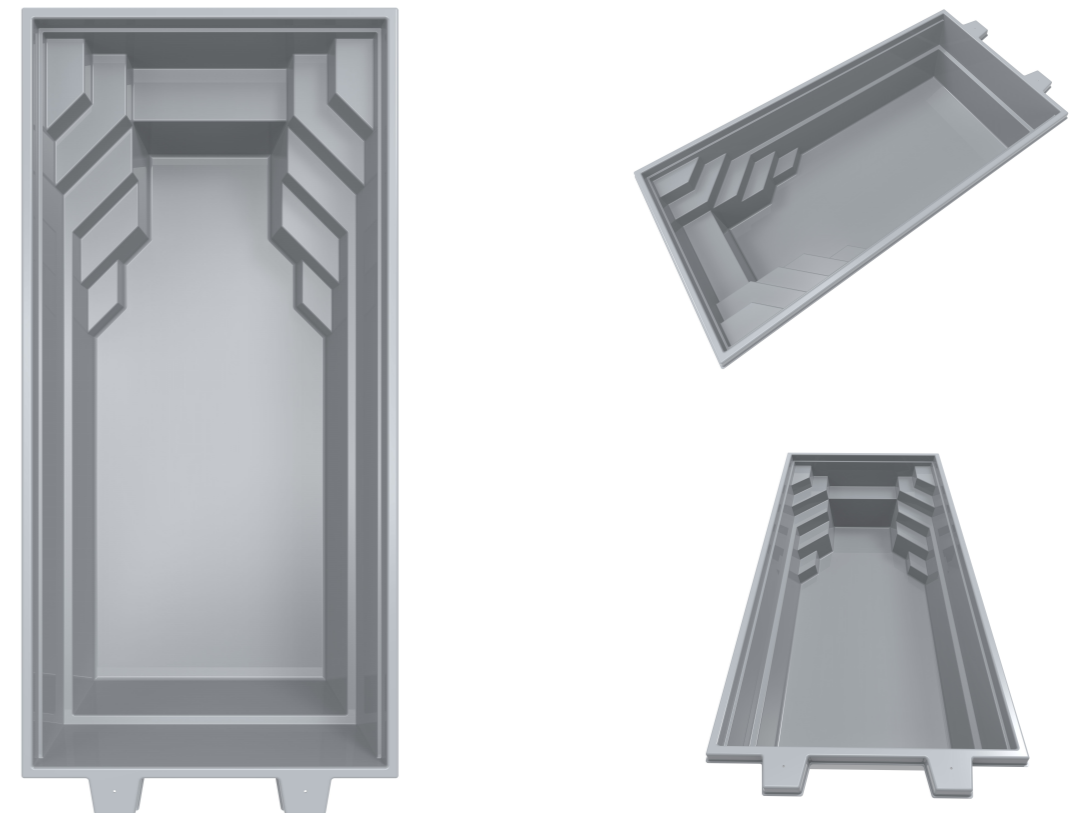
LENGTH	WIDTH	DEPTH	SURFACE AREA	VOLUME	WEIGHT
6,5 m	3,3 m	1,5 m	18,6 m ²	18,6 m ³	630 kg



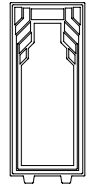
Monaco 750

7,5m

Second Monaco series pool.
Mid-size pool with double-sided stairs allows wide variety of positioning and comfort.



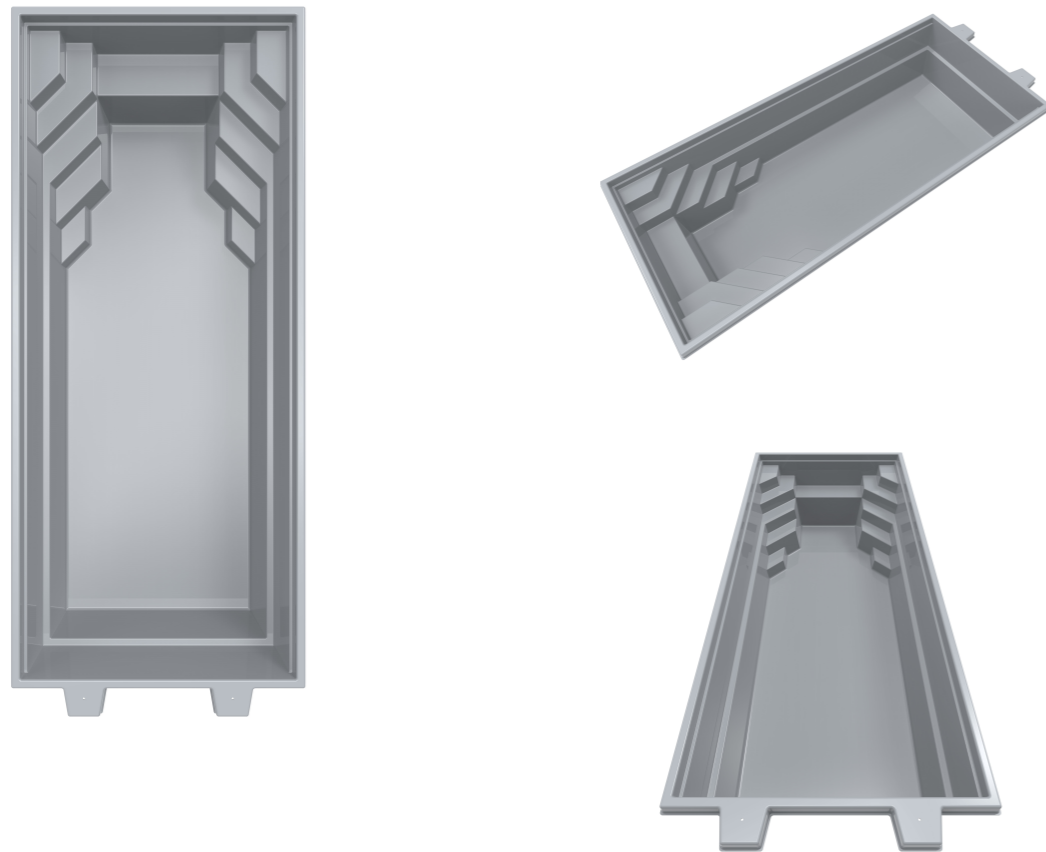
LENGTH	WIDTH	DEPTH	SURFACE AREA	VOLUME	WEIGHT
7,5 m	3,7 m	1,5 m	24,4 m ²	25,9 m ³	900 kg



Monaco 850

8,5 m

Third Monaco series pool.
Bigger size pool with double-sided stair design & a bench to feel swimming joy in bigger scale.



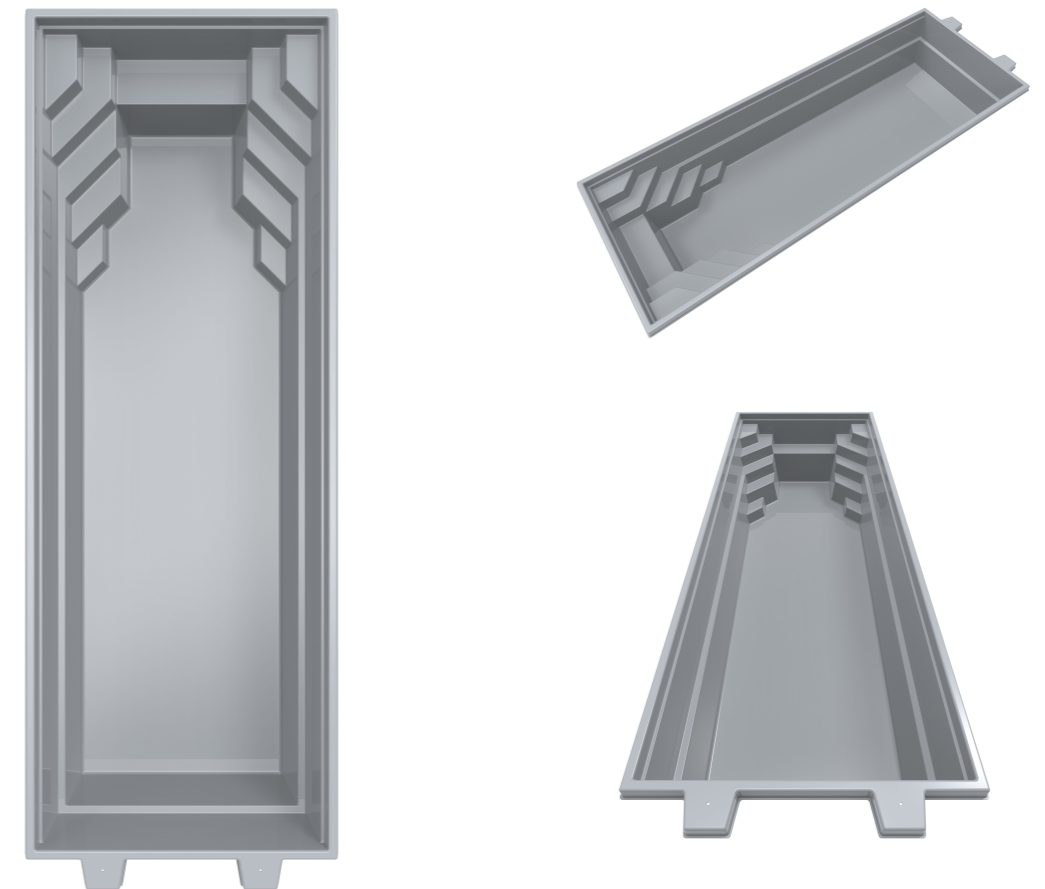
LENGTH	WIDTH	DEPTH	SURFACE AREA	VOLUME	WEIGHT
8,5 m	3,7 m	1,5 m	27,7 m ²	30,1 m ³	1000 kg



Monaco 1000

10 m

Fourth and the longest pool in Monaco series.
Combines double-sided stairs, a bench and 10 meters length for unlimited swimming experiences.



LENGTH	WIDTH	DEPTH	SURFACE AREA	VOLUME	WEIGHT
10 m	3,7 m	1,5 m	32,8 m ²	36,3 m ³	1250 kg