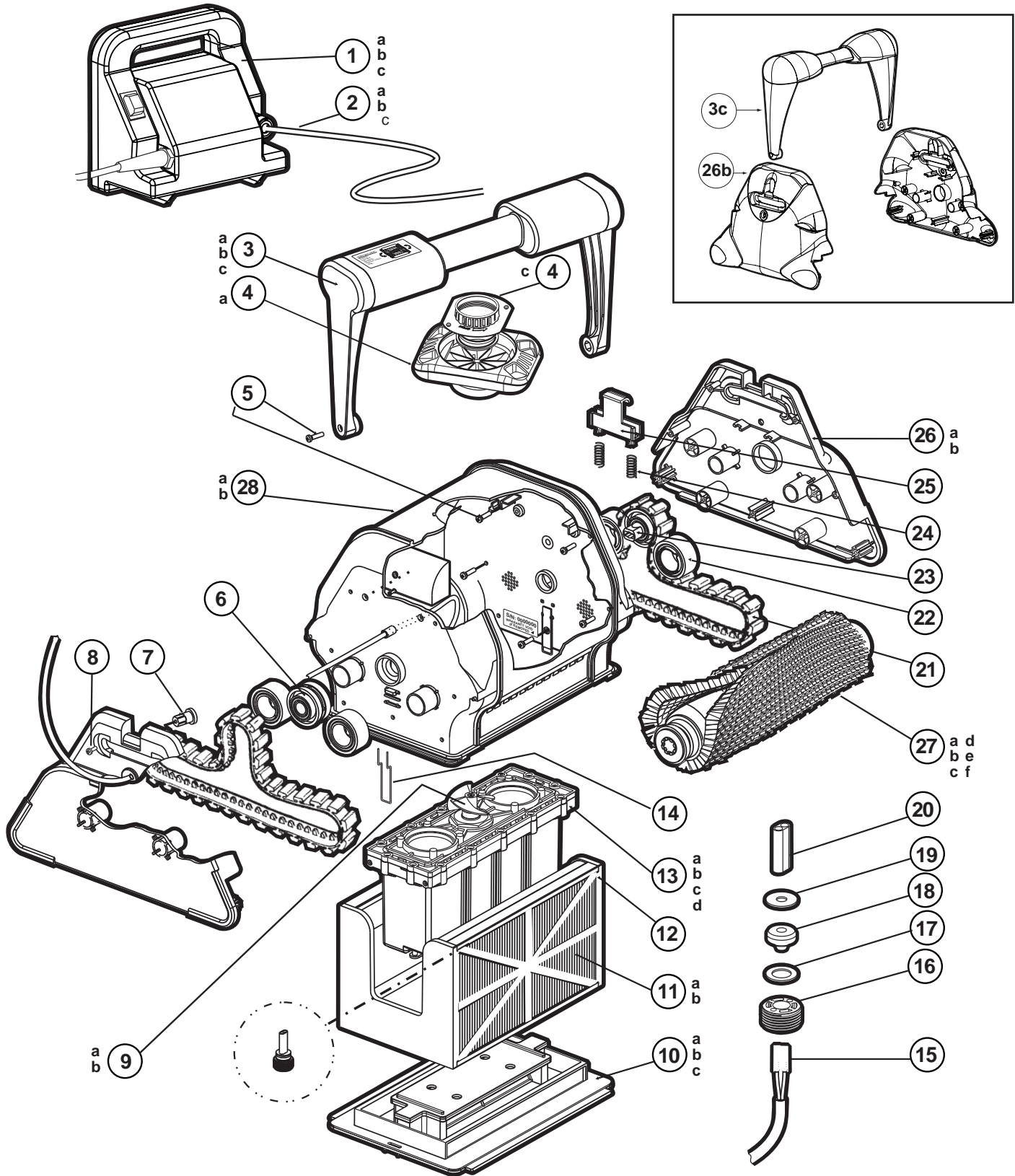




# TigerShark®, TigerShark® QC, TigerShark® Plus

REPLACEMENT PARTS

## Parts Diagram



Cleaners

# TigerShark®, TigerShark® QC, TigerShark® Plus

REPLACEMENT PARTS



## Parts Listing

Ref. No.	Part No.	Description	Ctn. Qty.	Qty. Per
1a	RCX97453	Power Supply, 115 V for U.S. Standard TigerShark + TigerShark QC	1	1
1b	RCX30000RC	Power Supply, 115 V for U.S. TigerShark Plus	1	1
1c	RCX97453QC	Power Supply, 115 V for U.S. Quick Clean	1	1
2a	RCX50061	Floating Cord Assembly – 55 ft. (TS, TSQC)	1	1
2b	RCX50070	Floating Cord Assembly – 55 ft. (TS Plus)	1	1
3a	RCX76000	Handle Assembly – Quick Clean, Teal	1	1
3b	RCX76007	Handle Assembly – Blue	1	1
3c	RCX97007	Handle Assembly – Dark Gray	1	1
4	RCX11208	Venturi Assembly	1	1
5	RCX12011	Screw M5x20 T-20 (Pack of 5)	10	16
6	RCX26001	Bearing, Guide Roller	5	1
7	RCX14000	Handle Arm Slide	10	2
8	RCX12001	Screw M4x12 T-20 (Pack of 5)	10	4
9a	RCX11000	Impeller	10	1
9b	RCX12002	Screw M4x2 Flat Head T-15 (Pack of 5)	10	1
10a	RCX75000	Bottom Lid Assembly	5	1
10b	RCX78005	Bottom Lid Filter Gasket	10	1
10c	RCX75005	Inlet Flap	10	2
11a	RCX70101	Filter Cartridge Refill Set (1 set, 2 pcs)	5	1
11b	RCX70103	Filter Cartridge – Disposable Spring Cleanup (1 set, 2 pcs) - optional	5	1
12	RCX70100	Filter Cartridge Assembly, Frame with filters	1	1
13a*	RCX40000RC	Motor Unit, for TigerShark Plus	1	1
13b*	RCX40000DC	Motor Unit, for TigerShark	1	1
13c	RCX41000DC	Motor Unit, for TigerSharkQC	1	1
14	RCX11400	Clip, Lid (Pack of 2)	10	2
15	RCX59006	Connector Pin, Molex	1	2
16	RCX59004	Seal Plug	10	1
17	RCX12302	Washer, Plastic Connector, Large Hole	10	1
18	RCX59003	Compression Seal	10	1
19	RCX12301	Washer, Plastic Connector, Small Hole	10	1
20a	RCX59002	Connector Housing 2 pin for TigerShark and TigerShark QC	10	1
20b	RCX59008	Connector Housing 4pin for TigerShark Plus	1	1
21	RCX23002	Drive Track, Soft Tread	5	2
22	RCX26000	Bearing, Idler Pulley	5	4
23	RCX26002	Bearing, Drive Pulley Assembly	5	1
—	RCX40117	Drive Pin Assembly	50	1
24	RCX12100	Spring Handle Latch	10	4
25	RCX14100	Handle Latch	10	2
26a	RCX13200	Side Cover, Light Gray	5	2
26b	RCX97201	Side Cover, Dark Gray	1	2
27a	RCX26008	Roller Brush	5	2
27b	RCX26011	Roller Foam, with Tube (Optional)	5	1
27c	RCX26003	Wheel Tube Assembly without Brush	5	2
27d	RCX26004	Wheel Tube	5	2
27e	RCX26005	Wheel Tube Bearing	10	4
27f	RCX3406	Wheel Tube Screws (Pack of 10)	10	8
28a	RCX13001	Main Case, TigerShark (Gray and Blue)	1	1
28b	RCX13007	Main Case, TigerShark (Gray)	1	1
—	RCX17000	High Velocity Inlet	5	1
—	RCX11206	Restrictor Plate Kit	10	1
—	RCX11207	New Style Restrictor Plate	5	1
—	RCX40209	Hand-held Wireless Remote (2007 and Prior) – 418 MHz	10	1
—	RCX40215	Hand-held Wireless Remote (2008-present) – 433 MHz	10	1
—	RCX42000	Solenoid Assembly For Remote (TS Plus)	1	1
—	RCX70000*	Diagnostic Tool Kit	1	1
—	RCX9716DGR	Solenoid Cover, Dark Gray	1	1

\*For service & repair centers only.

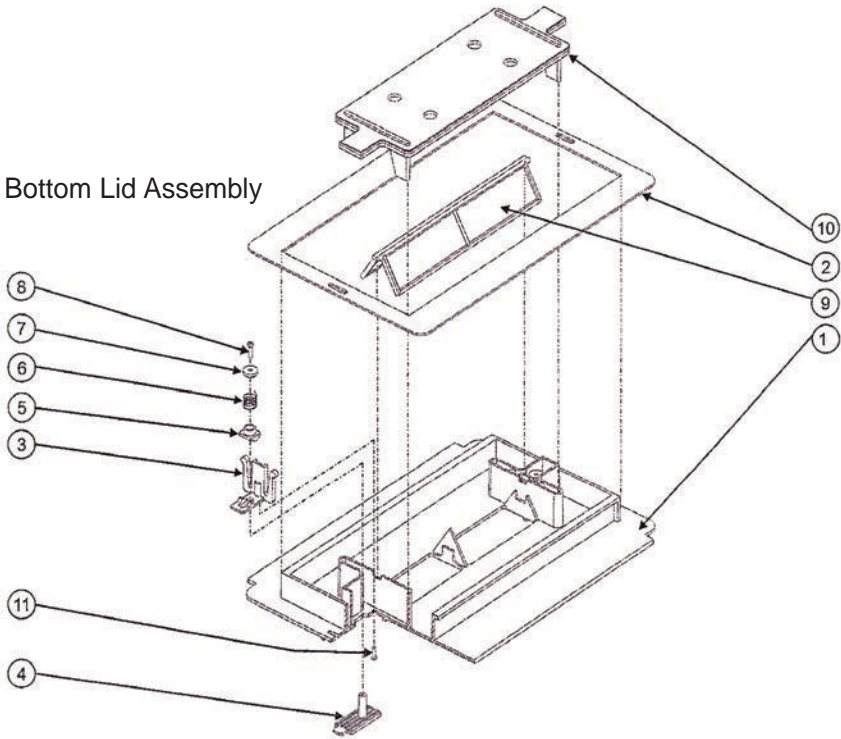
Cleaners



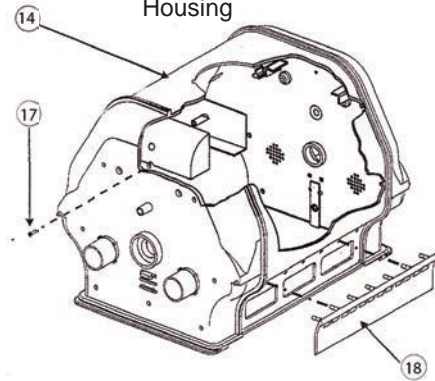
# TigerShark®, TigerShark® QC, TigerShark® Plus

REPLACEMENT PARTS

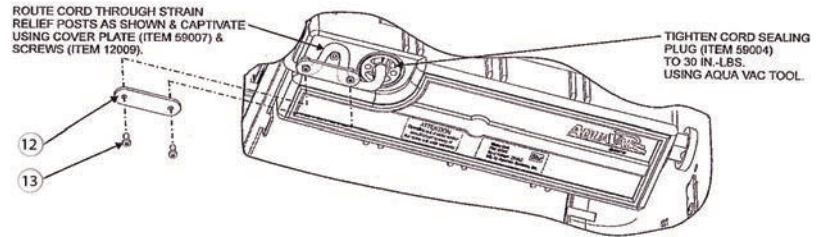
### Bottom Lid Assembly



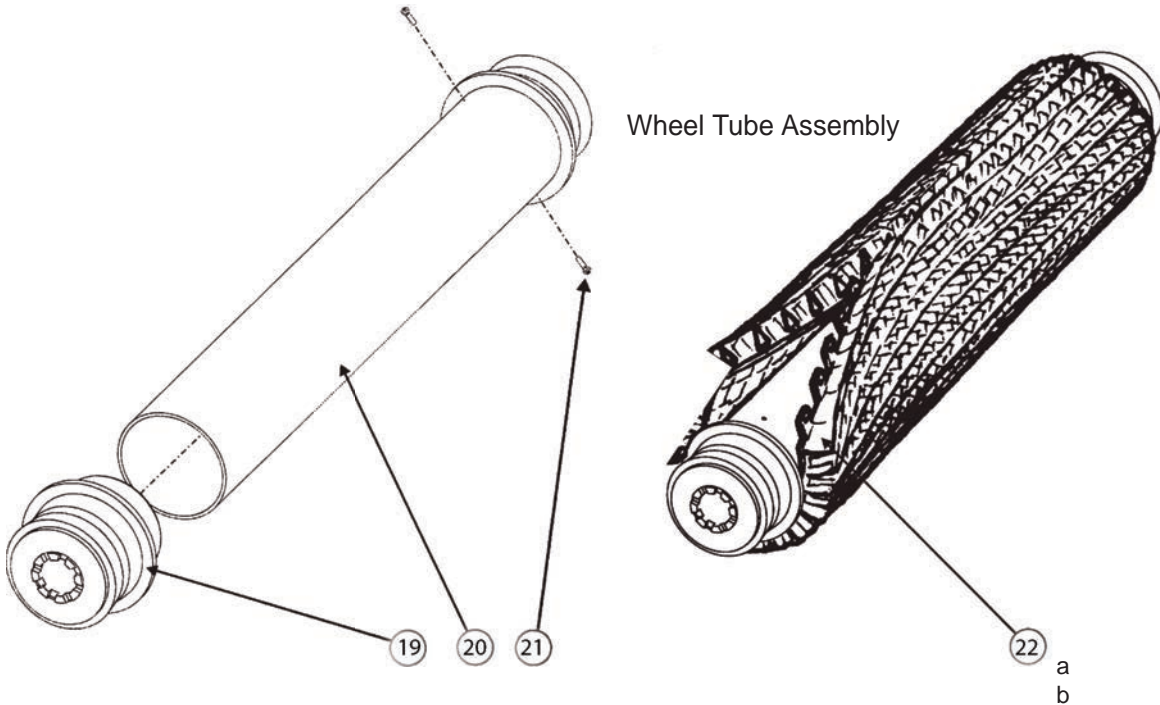
### Housing



### Cord Connection & Strain Relief Installation



### Wheel Tube Assembly



Cleaners

# TigerShark®, TigerShark® QC, TigerShark® Plus

REPLACEMENT PARTS



## Parts Listing

Ref. No.	Part No.	Description	Ctn. Qty.	Qty Req'd
1	RCX75001	Bottom Lid	1	1
2	RCX78005	Gasket	1	1
3	RCX75002	Clip Support	2	2
4	RCX75003	Locking Plate	2	2
5	RCX75004	Clip Follower	2	2
6	RCX12101	Spring, compression	2	2
7	RCX12102	Retainer, Spring	2	2
8	RCX12008	Screw, PT KA 30 x 12 (Pack of 5)	2	2
9	RCX75005	Inlet Flap	2	2
10	RCX75006	Inlet Cover	1	1
11	RCX12000	Screw, 2.9mm x 13mm flat head (Pack of 5)	2	2
12	RCX59007	Cover Plate, Strain Relief, power cord	1	1
13	RCX12009	Screw, PT KA 30 x 8 (Pack of 5)	2	2
14	RCX13007	Main Case	1	1
17	RCX12000	Screw (Pack of 5)	2	2
18	RCX17100	Drain Flap (Pack of 2)	2	2
19	RCX26005	Wheel Tube Ball Bearing Assembly	2	4
20	RCX26004	Wheel Tube	1	2
21	RCX3406	Wheel Bearing Screw (Pack of 10)	4	8
22a	RCX26008	Roller Brush	1	2
22b	RCX26011	Roller Foam with Tube (Optional)	1	2