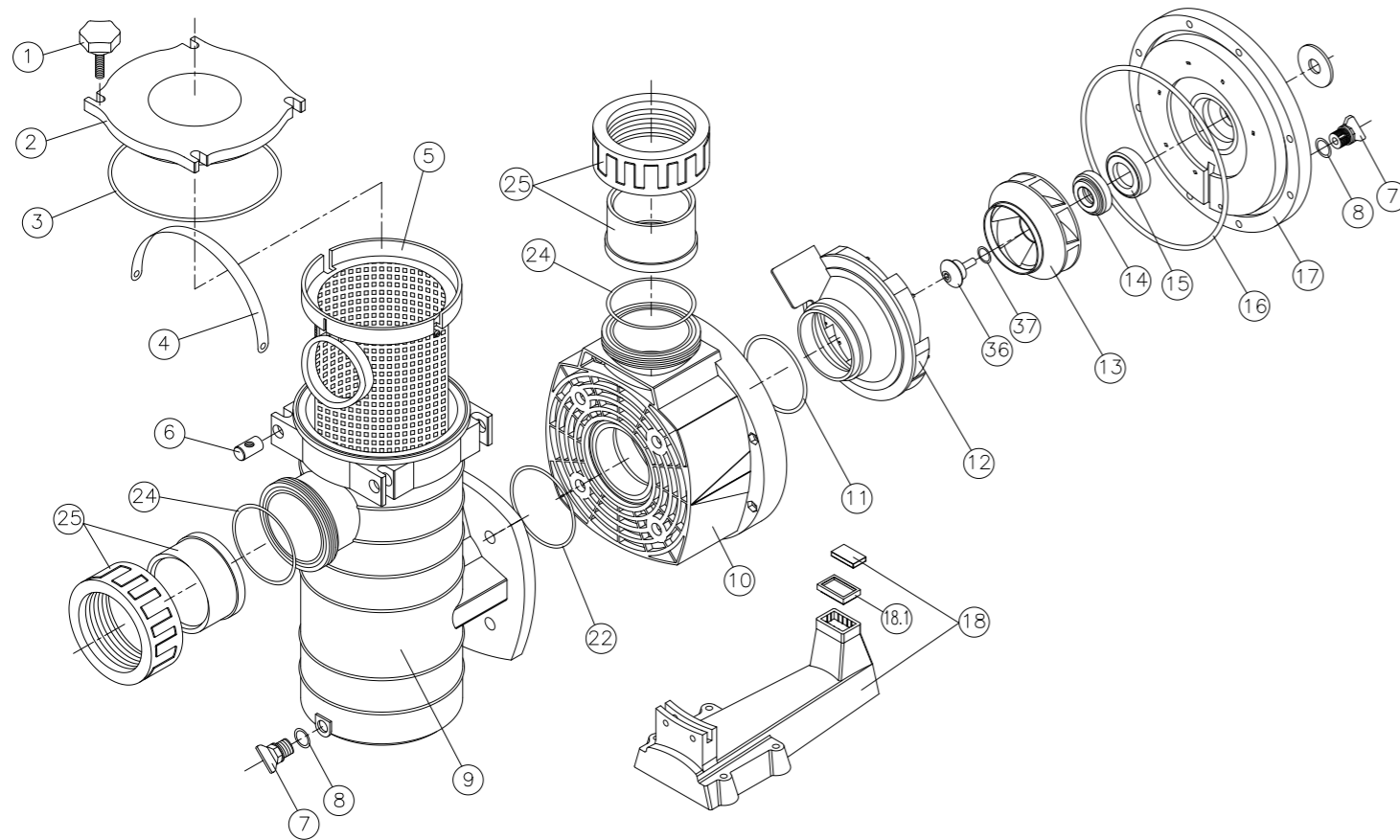


KAPRI SERIES PUMPS / KAP MODELS  
BOMBAS SERIES KAPRI / MODELOS KAP  
POMPES KAPRI SERIES / MODÈLES KAP



REF.	DENOMINACIÓN DESIGNATION	COMPOSICIÓN COMPOUND BY	CAJA UD. / QTY. BOX
RBH0000.00R	Conjunto Desagüe / Drain set	- N°7 (10uds./units) - N°8 (10uds./units)	-
RBH0001.03R	Conjunto Palomilla / Cover screw set	- N°1 (4uds./units) - N°6 (4uds./units)	-
RBH0016.00R	Kit Bulón Palomilla / Pins set	- N°6 (10uds./units)	-
RBH0002.05R	Tapa / Lid	- N°2 (1ud./unit) - N°3 (1ud./unit)	10
RBH0003.05R	Cestillo / Basket	- N°4 (1ud./unit) - N°5 (1ud./unit)	-
RBH0004.04R	Conjunto Juntas / O-ring set	- N°11 (1ud./unit) - N°16 (1ud./unit)	10
RBH0005.03R	Conjunto Retén / Seal set	- N°14 (1ud./unit) - N°15 (1ud./unit) - N°11 (1ud./unit) - N°16 (1ud./unit)	5
RBH0006.04R	Difusor / Diffuser	- N°12 (1ud./units)	6
RBH0007.12R	Turbina 2,50HP / Impeller 2,50HP		5
RBH0007.13R	Turbina 3,00HP / Impeller 3,00HP	- N°13 (1ud./unit)	5
RBH0007.14R	Turbina 3,50HP / Impeller 3,50HP	- N°36 (1ud./unit)	5
RBH0007.15R	Turbina 4,50HP / Impeller 4,50HP	- N°37 (1ud./unit)	5
RBH0007.16R	Turbina 5,50HP / Impeller 5,50HP		5
RBH0008.03R	Cuerpo de unión / Flange	- N°17 (1ud./unit)	-
RBH0009.02R	Soporte / Support	- N°18 (1ud./unit) - N°18.1 (4uds./units)	3
RBH0010.06R	Cuerpo bomba / Pump casing	- N°10 (1ud./unit)	-
RBH0011.05R	Kit Juntas Tapa / Lid O-ring set	- N°3 (10uds./units)	-
RBH0012.03R	Kit Juntas Difusor / Diffuser O-ring set	- N°11 (10uds./units)	-
RBH0013.03R	Kit Juntas Cuerpo de Unión / Flange O-ring set	- N°16 (10uds./units)	-
RBH0017.00R	Kit Juntas Bridas Aspiración / Union O-ring set	- N°22 (10uds./units)	-
RBH0014.00R	Prefiltro / Prefilter	- N°9 (1ud./unit)	-
RBH0015.00R	Conjunto Racores Ø90mm / Set of unions Ø90mm	- N°24 (2uds./units)	3
RBH0015.01R	Conjunto Racores Ø 3" ANSI / Set of unions Ø3"ANSI	- N°25 (2uds./units)	3