

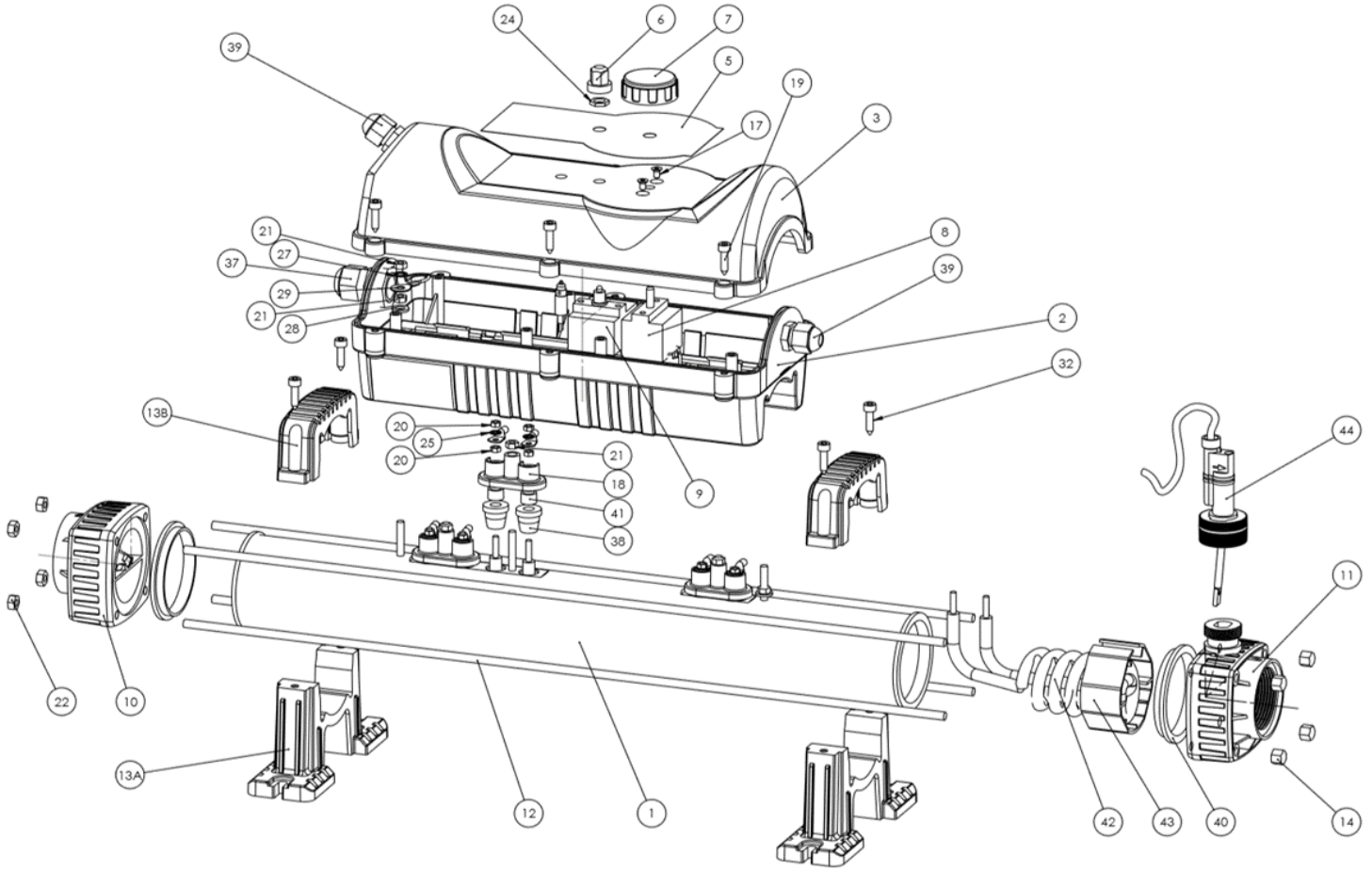
Flowline 2

SPARE PART LISTS

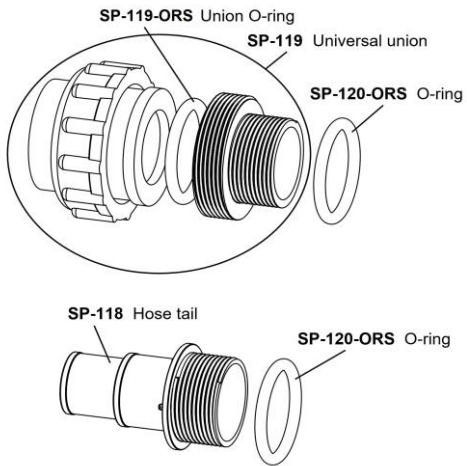


ELECRO
ENGINEERING

Flowline 2



Water connections:



Item No.:	Description:	Power Output:	Pcs/Unit:	Part Code:
1	Flow tube	All	1	See Tab.2
2	Electrical Enclosure Base	All	1	Z-IM-E2-BC
3	FlowLine Front Cover	All	1	Z-IM-E2-FLO-TC
5	Ops Panel Overlay	All	1	Z-LAB-FL
6	Manual reset button cover	All	1	Z-MIS-HLS-CVR
7	Control Thermostat Dial	All	1	Z-IM-OC-ANA
8	Analogue Control Thermostat	All	1	SP-MIS-CS
9	High Limiting Safety Thermal Cut Out	All	1	SP-MIS-HLS
10	Left End Fitting (NON F/S)	All	1	SP-117
11	Right End Fitting (F/S)	All	1	SP-117B
12	M6 Tie Bar	up to 12-kW Single Phase 230V	4	Z-STU-443
		15-kW & 18-kW Single Phase All 3-Phase	4	Z-STU-573
13A	Foot Lower	All	2	Z-IM-E2-FL
13B	Foot Upper	All	2	Z-IM-E2-FU
14	M6 Dome / Cap Nut	All	4	Z-FIX-M6CAP
17	M4x6mm Screw	All	2	Z-FIX-M4X6CS
18	Element Bridge	up to 6-kW Single Phase	1	Z-IM-EL-BRI
		9-kW & 12-kW Single Phase	2	
		15-kW & 18-kW Single Phase All 3-Phase	3	
19	Enclosure Screws	All	6	Z-FIX-M4.8x19STS-SC
20	M4 Hex Nut	up to 6-kW Single Phase	2	Z-FIX-M4HEX
		9-kW & 12-kW Single Phase	4	
		15-kW & 18-kW Single Phase All 3-Phase	6	
21	M5 Hex Nut	up to 6-kW Single Phase	1	Z-FIX-M5HEX
		9-kW & 12-kW Single Phase	2	
		15-kW & 18-kW Single Phase All 3-Phase	3	
22	M6 Hex Nut	All	4	Z-FIX-M6HEX
24	M8 Hex Nut	All	1	Supplied With SP-MIS-HLS
25	M4 Locking Washer	up to 6-kW Single Phase	2	Z-FIX-M4LW
		9-kW & 12-kW Single Phase	4	
		15-kW & 18-kW Single Phase All 3-Phase	6	
27	M5 Locking Washer	All	2	Z-FIX-M5LW
28	M6 Flat Washer	All	2	Z-FIX-M6FW
29	Earth Terminal	All	2	Z-CON-YR53
32	Foot Screws	All	4	Z-FIX-M4.8x19STS-SC
37	PG-21 Cable Entry Gland (Inc Back Nut)	All	1	Z-CON-PG21BK + Z-CON-PG21NUT
38	Element Ferrule (2pcs per Kit/Element)	up to 6-kW Single Phase	2	Z-IM-EL-FER
		9-kW & 12-kW Single Phase	4	
		15-kW & 18-kW Single Phase All 3-Phase	6	
39	PG-9 Cable Entry Gland (Inc Back Nut)	All	2	Z-CON-PG9BK
40	End Fitting Gasket (pack of 2 pcs)	All	2	SP-117-GSK
41	Element Stepped Washer (2pcs per Kit)	up to 6-kW Single Phase	2	Z-IM-EL-SW
		9-kW & 12-kW Single Phase	4	
		15-kW & 18-kW Single Phase All 3-Phase	6	
42	Heating Element	All	1, 2, 3	See Tab.3
43	Element Support (1pc per kit)	up to 6-kW Single Phase	2	Z-IM-EL-SUP
		9-kW & 12-kW Single Phase	4	
		15-kW & 18-kW Single Phase All 3-Phase	6	
44	Flow Switch	up to 3-kW	1	SP-107-FL-A
		4-kW to 6-kW	1	SP-107-FL-B
		9-kW & greater	1	SP-107-FL-C
	1.5" BSP Hose Tail for 1.5/1.25" Flexible Pipe	All	2	SP-118
	1.5" BSP Universal Union for 1.5"/50-mm Pipe	All	2	SP-119
	O-Rings (pack of 2 pcs)	All	2	SP-120-ORS
	44mm x 6mm Union O-Ring (pack of 2 pcs)	All	2	SP-119-ORS

Table 1. Replacement Tank Assembly

Single Phase Power Output:	Titanium Flow tube with Titanium Heating Element Part Code:	Description:
2-kW	SP-TA-2-Ti	2-kW 370-mm Replacement Tank Assembly
3-kW	SP-TA-3-Ti	3-kW 370-mm Replacement Tank Assembly
4.5-kW	SP-TA-4.5-Ti	4.5-kW 370-mm Replacement Tank Assembly
6-kW	SP-TA-6-Ti-1P	6-kW 370-mm Replacement Tank Assembly
9-kW	SP-TA-9-Ti-1P	9-kW 370-mm Replacement Tank Assembly
12-kW	SP-TA-12-Ti-1P	12-kW 370-mm Replacement Tank Assembly
15-kW	SP-TA-15-Ti	15-kW 500-mm Replacement Tank Assembly
18-kW	SP-TA-18-Ti	18-kW 500-mm Replacement Tank Assembly
3-Phase Power Output:	Titanium Flow tube with Titanium Heating Element Part Code:	Description:
6-kW	SP-TA-6-Ti-3P	6-kW 500-mm Replacement Tank Assembly
9-kW	SP-TA-9-Ti-3P	9-kW 500-mm Replacement Tank Assembly
12-kW	SP-TA-12-Ti-3P	12-kW 500-mm Replacement Tank Assembly
15-kW	SP-TA-15-Ti	15-kW 500-mm Replacement Tank Assembly
18-kW	SP-TA-18-Ti	18-kW 500-mm Replacement Tank Assembly
24-kW	SP-TA-24-Ti-3P	24-kW 500-mm Replacement Tank Assembly

Table 2. Replacement flow tubes

Description:	Power Output:	Pcs/Unit:	Titanium Part Code:
Flow tube	up to 6-kW Single Phase	1	X-TUB-TI370-1E
	9-kW & 12-kW Single Phase		X-TUB-TI370-2E
	15, 18-kW Single Phase & All 3-Phase		X-TUB-TI500-3E

Table 3. Replacement heating elements

Single Phase Power Output:	Titanium Heating Element Part Code:	Description:
2-kW	SP-EL-Ti2KW7T	2-kW Replacement Heating Element Kit
3-kW	SP-EL-Ti2.8KW7T	2.8-kW Replacement Heating Element Kit
4.5-kW	SP-EL-Ti4.5KW7T	4.5-kW Replacement Heating Element Kit
6-kW	SP-EL-Ti6KW7T	6-kW Replacement Heating Element Kit
9-kW	SP-EL-Ti4.5KW7T	4.5-kW Replacement Heating Element Kit
12-kW	SP-EL-Ti6KW7T	6-kW Replacement Heating Element Kit
15-kW	SP-EL-Ti5KW7T	5-kW Replacement Heating Element Kit
18-kW	SP-EL-Ti6KW7T	6-kW Replacement Heating Element Kit
3-Phase Power Output:	Titanium Heating Element Part Code:	Description:
6-kW	SP-EL-Ti2KW7T	2-kW Replacement Heating Element Kit
9-kW	SP-EL-Ti2.8KW7T	2.8-kW Replacement Heating Element Kit
12-kW	SP-EL-Ti4KW7T	4-kW Replacement Heating Element Kit
15-kW	SP-EL-Ti5KW7T	5-kW Replacement Heating Element Kit
18-kW	SP-EL-Ti6KW7T	6-kW Replacement Heating Element Kit
24-kW	SP-EL-Ti8KW7T	8-kW Replacement Heating Element Kit