

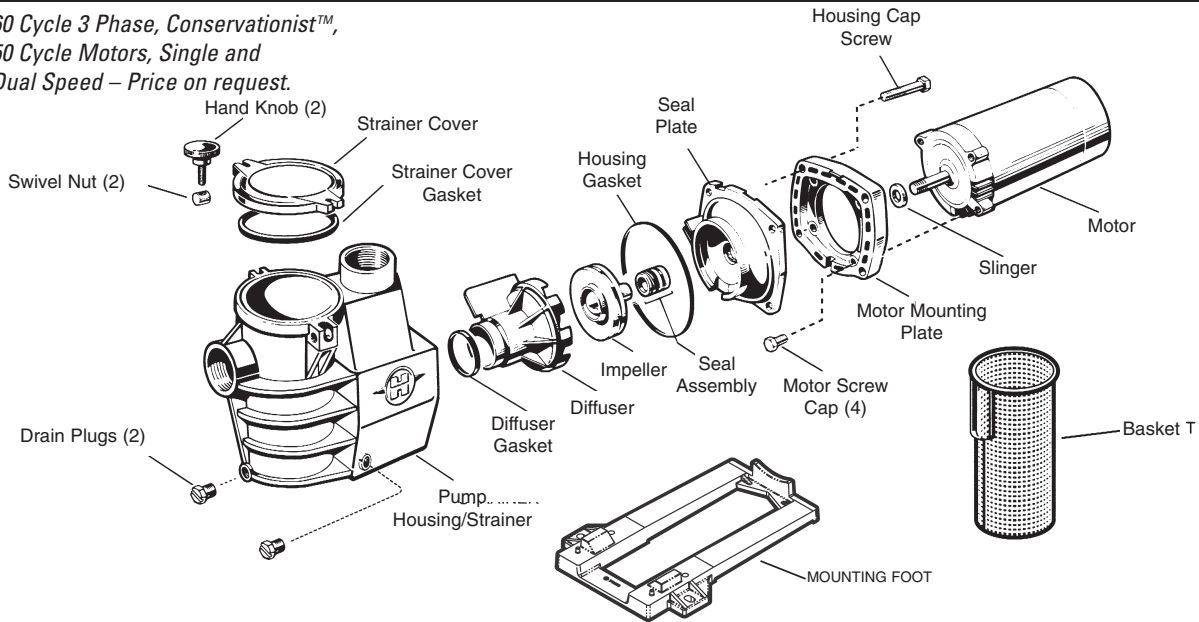


Max-Flo™

SP2800X SERIES (MAX RATED) REPLACEMENT PARTS

Parts for Pump Models: SP2800X5, SP2805X7, SP2807X10, SP2810X15, SP2815X20

NOTE: 60 Cycle 3 Phase, Conservationist™, 50 Cycle Motors, Single and Dual Speed – Price on request.



Part No.	Description	Ctn. Qty.	Qty Req'd
SPX2800AA	Pump Housing/Strainer accepts Swing Away Knobs, 1 1/2" x 1 1/2", w/Drain Plugs (1995 and prior)	1	1
SPX1250LA	Strainer Cover, clear Lexan® w/Gasket (Fits All Models)	10	1
SPX0125T	Strainer Cover Gasket	10	1
SPX1250RA	Basket (1994 and prior)	10	1
SPX2800M	Basket (1995)	10	1
SPX1250Z4	Hand Knob, Three Pointed (1994 and prior)	10	2
SPX1600PN	Hand Knob Kit (1995, includes Swivel Nut and Hand Knob)	10	2
SPX1600T	Housing Gasket	10	1
SPX1600R	Diffuser Gasket	10	1
SPX1600TRA	Seal Assembly Kit (Includes Seal Assembly, Housing and Diffuser Gaskets)	10	1
SPX1600V	1/4" Drain Plug (1991 and prior)	25	2
SPX1700FG	1/4" Drain Plug w/Gasket	10	2
SPX2600G1	Mounting Foot w/Adapter and Screws	10	1
SPX1600Z52	Mounting Foot Cap Screw (Set of 2 – 1995 and prior, 2 sets required)	1	1 set
SPX1600Z2	Seal Assembly	10	1
SPX1600F5	Motor Mounting Plate	2	1
SPX1600Z4	Housing Cap Screw	10	4
SPX0125Z44	Motor Cap Screw (Set of 4)	1	1 set
SPX0125F	Slinger	10	1
SPX2800B	Diffuser, for all H.P.'s	1	1
SPX2600EF5	Seal Plate and Mounting Plate	5	1

Housing Conversion Kit —To Swing Away Knob Style

SPX2800AAC* Complete Housing Conversion Kit. Includes housing, strainer cover and gasket, basket, round hand knobs (2), and swivel nuts (2).

1

Parts listed below must be ordered for specific model & H.P.:

SPX2600C	Impeller, for 1/2 H.P. Max Rated	10	1
SPX2605C	Impeller, for 3/4 H.P. Max Rated	10	1
SPX2607C	Impeller, for 1 H.P. Max Rated	10	1
SPX2610C	Impeller, for 1 1/2 H.P. Max Rated	10	1
SPX2615C	Impeller, for 2 H.P. Max Rated	1	1
SPX1600Z1M	Motor, 1/2 H.P., Threaded Shaft (Single Phase, 60 Cycle 115V)	1	1
SPX1605Z1M	Motor, 3/4 H.P., Threaded Shaft (Single Phase, 60 Cycle 115/230V)	1	1
SPX1607Z1M	Motor, 1 H.P., Threaded Shaft (Single Phase, 60 Cycle 115/230V)	1	1
SPX1610Z1M	Motor, 1 1/2 H.P., Threaded Shaft (Single Phase, 60 Cycle 115/230V)	1	1
SPX1615Z1M	Motor, 2 H.P., Threaded Shaft (Single Phase, 60 Cycle 230V)	1	1
SPX1610Z2M	Motor, 1 1/2 H.P., Threaded Shaft, Two-speed (Single phase, 60 Cycle, 230V)	1	1
SP2800TG	Pressure Test Gasket	5	1