

# MaxFlo™

2

## EFFICIENT AND DURABLE

- **Compact design, ideal** for very small equipment rooms
- Excellent value for money
- **Input and output tapped to 1.5"**
- Recommended for pools **up to 95 m<sup>3</sup>\***

\* Calculation based on 6 hours turnover



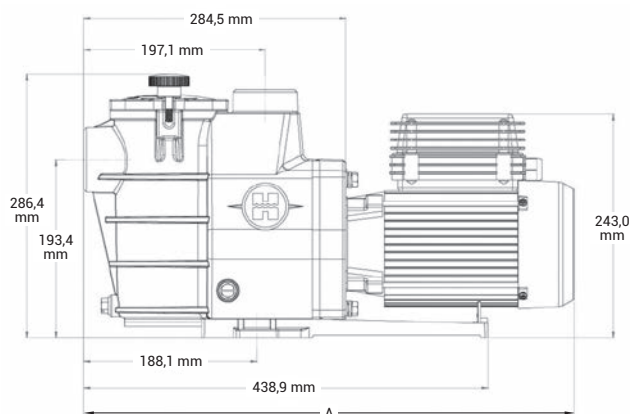
In / Out 1.5"

See-through strainer cover

Drain plugs for an easy wintering

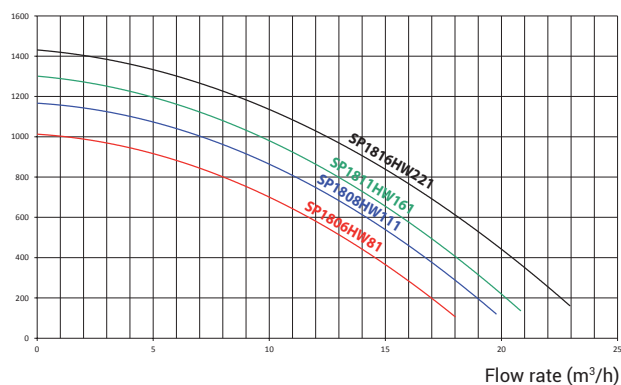
### Technical Specifications

Max. water temp.	35°C
Mechanical seal	AISI 304, suitable for salt water
Motor specifications	Class F, IP55, 50Hz, 2 Poles
Housing/impeller/strainer/lid	PP+GF/Noryl® + GF/ABS/PC



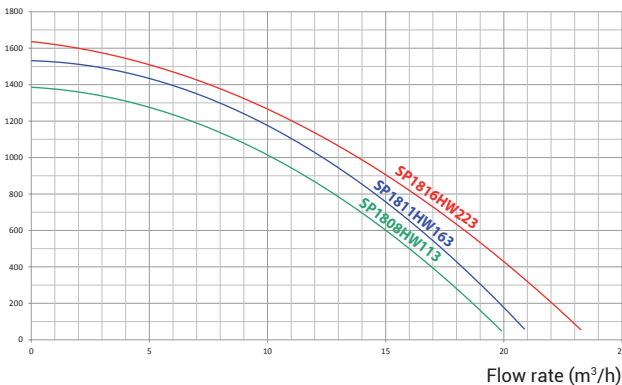
### • MaxFlo™ Single phase

Pressure (mbar)



### • MaxFlo™ Three phase

Pressure (mbar)



	Type	Dim A	Weight	I/O	Flow rate*	Input Power P1	Output Power P2	Amperage	Item
SINGLE PHASE MAXFLO™	1/2 HP	533 mm	12.7 kg	1 1/2"	8 m <sup>3</sup> /h	680 W	520 W	3 A	SP1806HW81
	3/4 HP	533 mm	12.7 kg	1 1/2"	11.3 m <sup>3</sup> /h	740 W	560 W	3.3 A	SP1808HW111
	1 HP	533 mm	13 kg	1 1/2"	13 m <sup>3</sup> /h	890 W	690 W	4 A	SP1811HW161
	1.5 HP	558 mm	15 kg	1 1/2"	15.6 m <sup>3</sup> /h	1140 W	890 W	5.4 A	SP1816HW221
THREE PHASE MAXFLO™	3/4 HP	537 mm	16 kg	1 1/2"	12.8 m <sup>3</sup> /h	1330 W	1100 W	4.5 / 2.6 A	SP1808HW113
	1 HP	537 mm	16 kg	1 1/2"	14.5 m <sup>3</sup> /h	1330 W	1100 W	4.5 / 2.6 A	SP1811HW163
	1.5 HP	537 mm	16 kg	1 1/2"	16.2 m <sup>3</sup> /h	1330 W	1100 W	4.5 / 2.6 A	SP1816HW223

\*under 8 m water column pressure