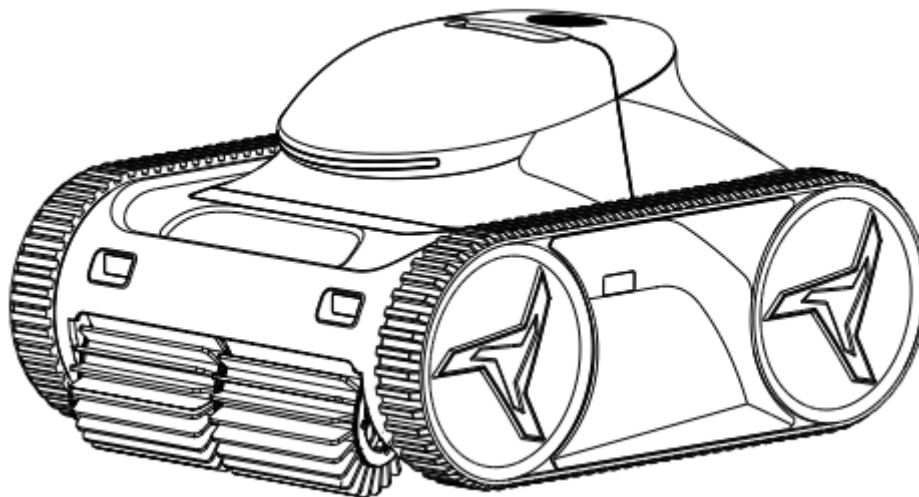


AI-WIRELESS ROBOTIC POOL CLEANER USER MANUAL



X30/45/60/80

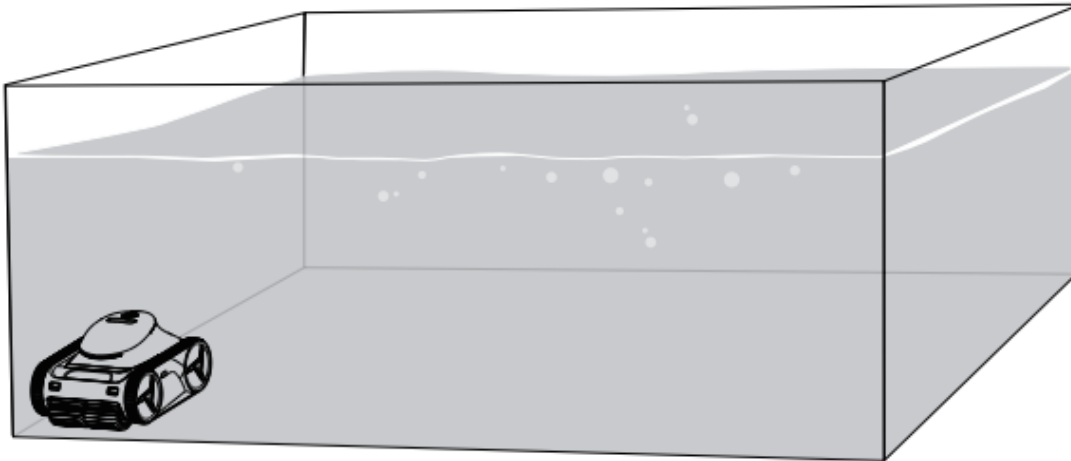
THANK YOU FOR PURCHASING X30/45/60/80 AI-WIRELESS ROBOTIC POOL CLEANER

Please read the manual carefully before
installing or using it and keeping it for subsequent use.

★★ TIPS ★★

How to achieve the most efficient cleaning

It is recommended to place the robot at the pool corner, which will facilitate quick coverage of the entire pool floor area.



⚠ For battery protection, it is recommended that the robot should be fully charged every 3 months and magnetic cap should be inserted back if the robot not be used for more than 14 days.

WARNINGS

Information contained in this warnings page will help you operate the robot safely, protect yourself and others from hazards, and prevent damage to the robot and other property.

GENERAL WARNINGS

- The robot is designed for pool cleaning; do not use it for other purposes.
- Read the instructions before operating the robot.
- Keep the robot out of the reach of children or persons with reduced physical, sensory, or mental capabilities, or lack of experience and knowledge, unless they have been given supervision or instruction.
- Children should not play with the robot.
- The robot must be maintained by dealer except for simple routine maintenance written in this manual.
- Installers must follow manufacturer's instruction and keep in compliance with national or local standards for installation. Under no circumstances will the manufacturer be held responsible for any outcome incurred by failure to comply with applicable standards or local regulations.
- Incorrect installation or use of the robot may cause serious damage to property or injuries to people.
- Do not enter pool while the robot is in water.

WARNINGS ON USE

- For the purposes of recharging the battery, only use the detachable supply unit provided with this appliance, and operated this power supply at least 3.5 meters from the edge of the pool.
- Disconnect the robot from the power supply and insert back the magnetic cap before any maintenance on the robot.
- Do not operate the robots with wet hands.
- Disconnect the robot from the supply mains before carrying out user maintenance such as cleaning the filter.
- Do not try to repair the robot yourself or open engine box in case of malfunction, please contact your dealer.
- If there is any malfunction or release of odor from the robot when charging, disconnect it from the power supply immediately and contact your dealer.
- Use only original replacement parts supplied by the manufacturer for service and repair.

SPECIAL CONDITIONS APPLICABLE TO ROBOT

- The robot is intended for swimming pools with a depth less than 3 meters and a water temperature between 0°C ~ 35°C. (Below 15°C the endurance time may be affected)
- Do not use the robot during shock chlorination.
- Do not use the robot in thunder storm or stormy weather.
- Do not expose the robot to direct rainfall or sunlight for an extended period.
- Optimum storage temperature between -20-60°C and storage humidity between 35%-85%/RH.

CAUTIONS

- Rest/hold the robot by the pool edge for water to drain out before lifting the robot out of water, do it slowly so as to prevent back injury.
- Clean the filter basket after each cleaning cycle.
- Do not lift the robot out of water by track.

REMINDER

- When the robot battery is below 30%, it will clean the floor of the pool only.

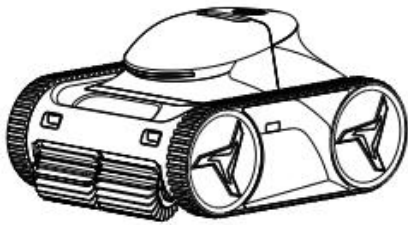
Table of Contents

SECTION 1. PRODUCT OVERVIEWS	5
1.1 Packaging content	5
1.2 Technical specification	6
1.3 Preparation	7
SECTION 2. OPERATION	8
2.1 Introduction of button	9
2.2 Operation on the display of the unit	10
2.3 Cleaning filter basket.....	11
2.4 Charging the robot.....	11
2.5 WIFI matching for the robot.....	12
SECTION 3. MAINTENANCE.....	13
3.1 Filter maintenance	13
3.2 Impeller maintenance.....	13
SECTION 4. TROUBLE SHOOTING	15

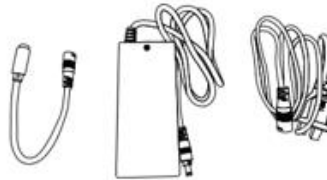
SECTION 1. PRODUCT OVERVIEWS

1.1 Packaging content

The following items are included in the packaging of robot. Please contact your dealer if any damage or loss.



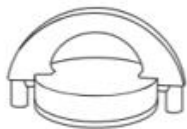
①



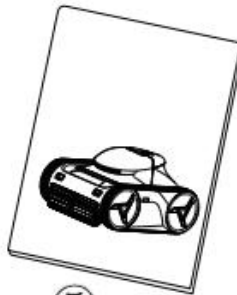
②



③



④



⑤

① The robot ② Charger ③ Hook ④ Magnetic cap*2 ⑤ User manual

Note:

1. Remove the Magnetic cap ④ when using or charging. Insert Magnetic cap to machine's bottom for battery protection when not using the robot for more than 14 days.
2. If software exception happens, insert Magnetic cap to machine's bottom for 2 seconds, then remove it to restart.

1.2 Technical specification

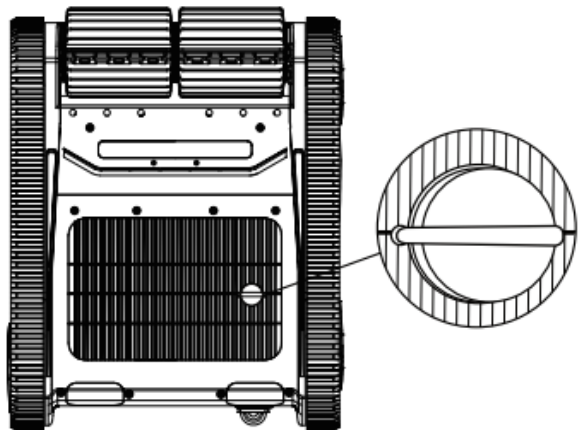
Model	X80	X60	X45	X30
Suggested pool size	30~70 m ²	20~50 m ²	15~40 m ²	15~30 m ²
Performance condition reference*: Floor mode				
Endurance time	8h	6h	4.5h	3h
Performance condition reference*: Floor/wall/waterline mode				
Endurance time	4.5h	3.5h	2.5h	2h
Charging time	5h	4h	3h	2h
Battery	14Ah (352wh)	10.4Ah (262wh)	7.8Ah (196wh)	5.2Ah (131wh)
Optimum pool temperature	0~35°C			
Cleaning mode	Floor/Floor&Wall&Waterline			
Multiple cycle option	0.5h/1h/2h			
AI mode	YES			
App application	YES			
Filter capacity	3.2L			
Filtration accuracy	180µm(80mesh)			
Pump flow rate	22~10m ³ /h	20~10m ³ /h		
Running power	30-110W			
Moving speed	12m/min			
Number of motors	3			
Charger input	90-265VAC ~ 50/60Hz			
Charger output	25.2V/1.2A			
Charger power	72.5W			
Robot NW/GW	11.5 / 15.7kg	11.4 / 15.6kg	10.9 / 15.1kg	10.4 / 14.6kg
Robot dimension (L*W*H)	495*395*265 mm			
Robot packaging dimension (L*W*H)	580*448*330 mm			

* Reference: Above working time is based on 2 hours' cleaning each time at floor mode in the liner pool.

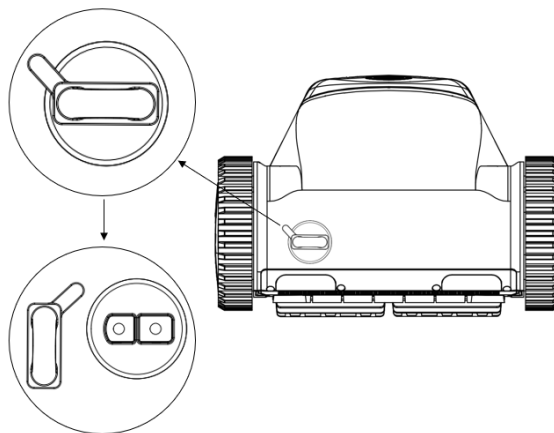
Note: The manufacturer reserves the right to modify these specifications without notice.

1.3 Preparation

① Remove the Magnetic cap from the bottom of the robot and store it well.



② Remove the plug cover. After fully charged, the plug should be covered back.

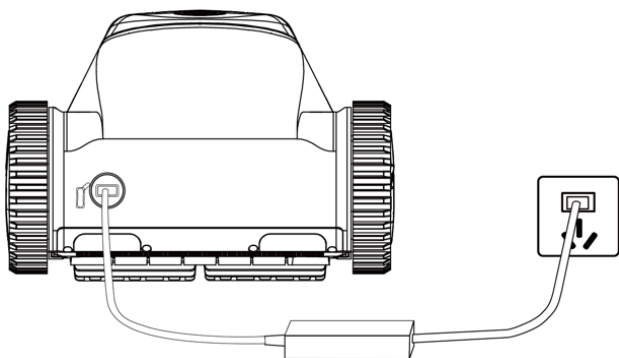


③ Connected to 90-265V power supply through charger.

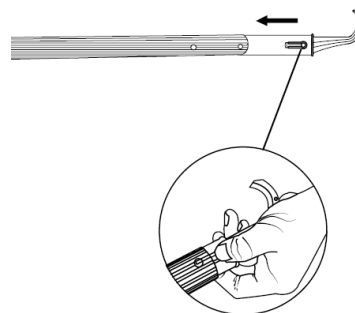
The red light of the power indicator is on: charging

The green light of the power indicator is on: fully charged already.

Please fully charge the robot before the first use.



④ Install the configured hook on the rod (Rod is exclusive).



SECTION 2. OPERATION

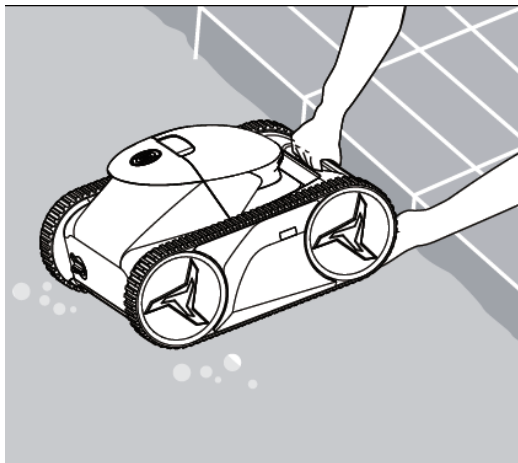
⚠ CAUTION

To prevent possible damages to the robot or people, be sure to follow these guidelines:

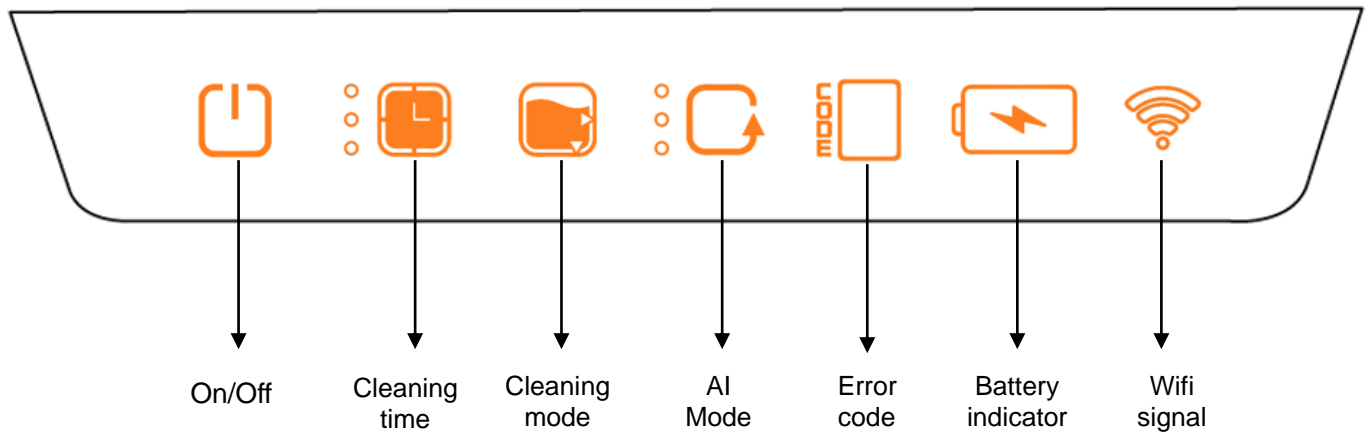
- After cleaning is completed, put the robot in the cooling dry place against direct sunlight.
- The robot becomes heavier when filled with water. Pay special attention when lifting it out of the water, wait till water drains out from it.






IMPORTANT



- After settings are done, please drop the robot into the water within 3 minutes, or the robot will enter into the sleeping mode.
- Clean the filter basket after cleaning cycle, please avoid cleaning the surface of the filter box directly with your hands.
- The robot has a safety feature that automatically stops if a dry run happens.
- Move the robot slightly in all directions so that the air contained in the robot escapes, and the robot can go down into the water easily. (As showed in the pic below)



2.1 Introduction of button








Type of button	Icon	Display Status	Description
Power switch		Green light flashes	Setup status
		Green light being on	Running status/Inspection status under water
Cleaning time setup		1 green light being on	Cleaning time: 0.5H
		2 green lights being on	Cleaning time: 1.0H
		3 green lights being on	Cleaning time: 2.0H*
		All lights being off	Cleaning until low battery
Cleaning mode		Triangle green light in the floor being on	Floor cleaning mode
		Both Triangle green lights being on	Overall cleaning mode (Floor, wall, waterline)
AI Mode		1 green light being on	Cleaning every 24 hours
		2 green lights being on	Cleaning every 48 hours
		3 green lights being on	Cleaning every 72 hours
		All lights being off	Do not need AI Mode
Error code		1	Left drive failure
		2	Right drive failure
		3	Abnormal water pump
		4	Abnormal Control panel communication

		5	Infrared sensor anomalies
		6	Abnormal water sensor
Battery light (Non-charging status)		1 green light being on	Battery level: 20-50%
		2 green lights being on	Battery level: 50-75%
		3 green lights being on	Battery level: 75-100%
Low battery		1 red light flashes	Battery level: 15-20%
Battery light (Charging status)		1 green light flashes	Battery level: 0-50%
		1 green light being on, 1 green light flashes	Battery level: 50-75%
		2 green lights being on, 1 green light flashes	Battery level: 75-100%
		3 green lights being on	Battery level: 100%
Signal light		Green light flashes	Network matching
		Green light on	Network matched
		Red light flashes	Failure Connection



*Note: If the cleaning time is set to be more than 2 hours via App, there will also be 3 lights on.


2.2 Operation on the display of the unit

1. Holding  for 3 seconds to activate the device, then  flashes, you can start setup the robot. After setup, press  once* again for confirmation your settings. Then put the robot into the water, the robot will start cleaning automatically after it reaches to the floor. Please noted that if there is no operation on robot within 3 minutes as the  in flashing status, the robot will shut down and enter into sleeping status.

*Note: There are 2 different situations when set up the AI Mode: 

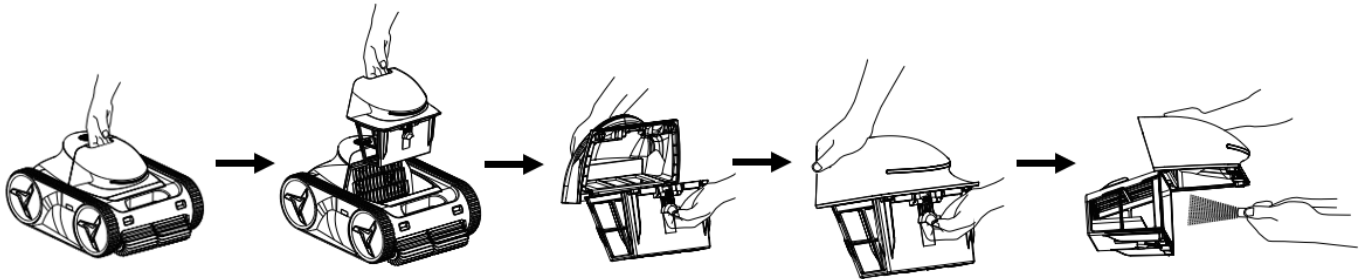
(Take set of " Cleaning every 24 hours" in AI Mode for example)

- If press  once and then put the robot into the water, the robot will start work immediately. After once cleaning cycle, the robot will enter sleeping mode and automatically wake up and work after 24 hours.
- If press  for 3s and then put the robot into the water, the robot will enter sleeping mode at first. After 24 hours, it will start cleaning automatically.

2. If the battery is less than 20% during its cleaning,  will keep flashing 1 red light, the robot will automatically go to the nearby poolside and shut down, then enter into sleep mode after 5 minutes.

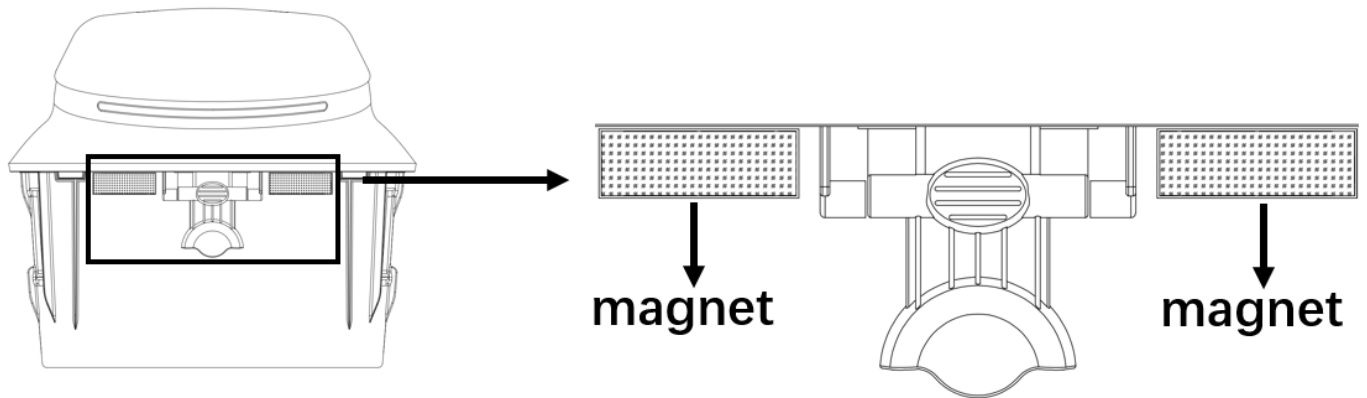
2.3 Cleaning filter basket

When cleaning is done, the robot will stop by the wall of pool. Please use the hook to catch the handle and lift the robot out of the water, then clean the filter basket as below operation:

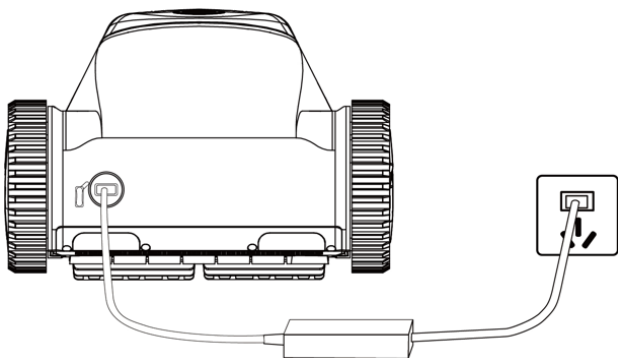


Note:

There is a risk of being scratched by surface debris when cleaning the filter basket with your hands, it is recommended to wear rubber gloves for protection.



2.4 Charging the robot






1. Plug the adapter into power supply and make sure that indicator light is being red.
2. Open the cover of the robot's plug to expose the plug charging port.
3. Align the adapter plug post with the robot socket. When the robot is charging, the battery light of the robot flashes in green and the indicator light of the adapter is being on in red.

4. If battery light is full with 3 green lights on, and indicator light of the power adapter goes green, then the robot is fully charged.
5. Before charging, make sure charging port is dry.
6. It is recommended to disconnect the charger after charging completed to protect the battery.
7. If the robot needs to be stored for long time, it should be fully charged at least every three months to protect the battery.

Note: the robot must use original power adapter.

2.5 WIFI matching for the robot

Hold  for 3s, then the robot will have a beep sound, the robot enters matching mode,  start flashing, then open the “AI-BOT” APP to search device and go matching, the robot will have three beep sounds and  will be in green lights after matching done. After matching, setup of the robot can be operated by APP through Wifi or Bluetooth.

Note: download the “AI-BOT” APP in iOS App Store/ Google Play Store.

SECTION 3. MAINTENANCE

⚠ WARNING

1. To avoid electric shock and other hazards which could result in major injuries, disconnect the adapter from the power source before performing any cleaning and maintenance.
2. Before any maintenance operation, be sure to insert back the magnetic cap at the bottom of the robot to avoid injuries caused by impeller rotation!

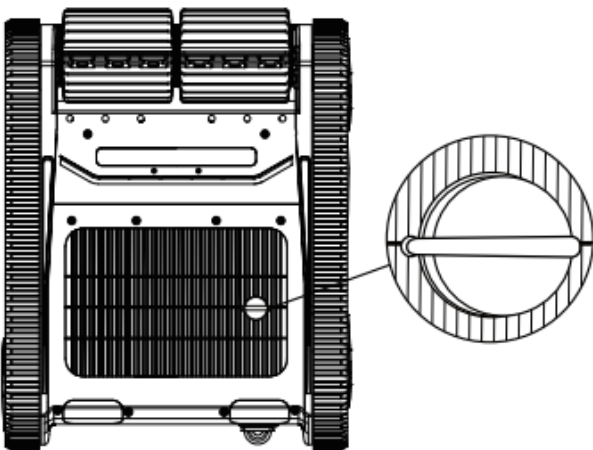
3.1 Filter maintenance

1. Clean the filter thoroughly and regularly for a better cleaning and climbing performance. Otherwise, the cleaning and climbing performance may be affected when the filter is full or clogged.
2. Clean the clogged filter with mild acidic detergent, and it is recommended to clean it at least once a year.

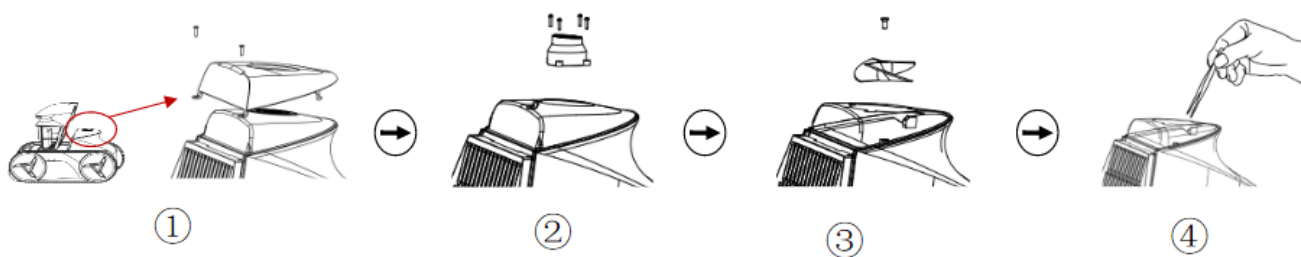
3.2 Impeller maintenance

Visually check whether the impeller or impeller shaft is entangled with hair or other debris when the robot has a reduced suction or climbing performance, clean the debris trapped in the impeller.

*** Magnetic cap MUST be inserted back before any operations on the impeller.**



The steps are as follows:



- ① Take out the filter box, remove the fixing screws of the inflow ring cover, and take out the inflow ring cover.
- ② Remove the deflector fixing screws and take out the deflector.
- ③ Remove the impeller screw, then take out the impeller. (PS: impeller edge is sharp, please wear gloves while operating.)
- ④ Clean the impeller debris and reassemble the all the parts mentioned above in order.




PS: If you have any difficulties performing impeller maintenance, please contact your dealer for assistance.

SECTION 4. TROUBLE SHOOTING

Failure	Possible reason	Solution
Charging failure	Debris on the electrode of charging head (Non-failure)	Clean debris
	The bottom Magnetic cap isn't removed (Non-failure)	Remove the Magnetic cap
	Charger is damaged	Replace charger
Switch on failure	The Magnetic cap isn't removed (Non-failure)	Remove the Magnetic cap
	Water spots on the robot display or people's hand (Non-failure)	Keep the display and hands dry, then try again
	Wrong operation (Non-failure)	Hold the power button for 3 seconds
	No power in the battery (Non-failure)	Get the robot fully charged
Not working (not moving, not pumping)	Low battery (Non-failure)	Get the robot fully charged
	Out of water (Non-failure)	Make sure the robot under water and indicator lights being on
	No pressing the on/off button after settings are done (Non-failure)	Press the on/off button after the settings are done, make sure indicator lights being on before putting the robot into water
	Full load of filter basket (Non-failure)	Clean filter basket
Moving but not pumping	The impeller gets stuck	Check whether there are too many debris in the guide ring, affecting the rotation of the impeller. (Please insert back the magnetic cap before operation, to avoid injuries caused by the impeller rotation) .
	Full load of filter basket (Non-failure)	Clean filter basket
	Water inlet is blocked(Non-failure)	Take out of filter basket and clean water inlet
	Battery low (Non-failure)	Get the robot fully charged
Pumping but not moving	The moving motor gets stuck	Please contact the dealer for replacement
	Track is deviated and stuck (Non-failure)	Turn the robot upside down and roll the track forward and backward to restore the track
	Track is damaged	Replace track
	Scrubber gets stuck (Non-failure)	Clean scrubber
	The robot gets stuck by obstacle and shut down for auto-protection (Non-failure)	Remove obstacle and restart

	Full load of filter basket (Non-failure)	Clean filter basket
Not climbing	Under floor cleaning mode (Non-failure)	Turn to overall cleaning mode
	The impeller is stuck	Check whether there are too many debris in the guide ring, affecting the rotation of the impeller. (Please insert back the magnetic cap before operation, to avoid injuries caused by the impeller rotation).
	Full load of filter basket (Non-failure)	Clean filter basket
	Water inlet is blocked (Non-failure)	Take out of filter basket and clean the water inlet
Poor cleaning capability.	Battery low (Non-failure)	Get the robot fully charged
	The impeller is stuck	Remove any debris or hair in the guide ring
	Full load of filter basket (Non-failure)	Clean filter basket
	Water inlet blocked (Non-failure)	Take out of filter basket and clean water inlet.
	Scrubber is damaged	Replace scrubber
	Filter basket is damaged	Replace filter basket
Unusual non-stop	Software failure	Insert the magnetic cap back to bottom for 5s, then remove it and restart

Note:

1. Do not use the robot when people or animals are in the pool.
2. Charger **MUST BE DISCONNECTED** before conducting any maintenance on the robot.
3. Contact your dealer for problems not covered in Trouble Shooting Guide.
4. Normally, the robot will stop at the poolside when it encounters any failure or when the battery level is less than 20%.
5. If error occurs, please restart the robot, then the error code will be recurred after power on.
6. If the robot is malfunctioning, the error code will appear on the operation panel (see 2.1) and the  on the operation panel flashes red. Clicking the  again will remove the error warning and the robot will enter the setup mode, either for general settings or by directly pressing the  to enter the working mode.

Indoor



For switch power supply indoor use only.

Recycling



When disposing the product, please hand it over to a designated collection point for the recycling of waste electrical and electronic equipment.

The separate collection and recycling of waste equipment at the time of disposal will help ensure that it is recycled in a manner that protects human health and the environment.

For more information about where you can drop off your waste for recycling, please contact your local authority