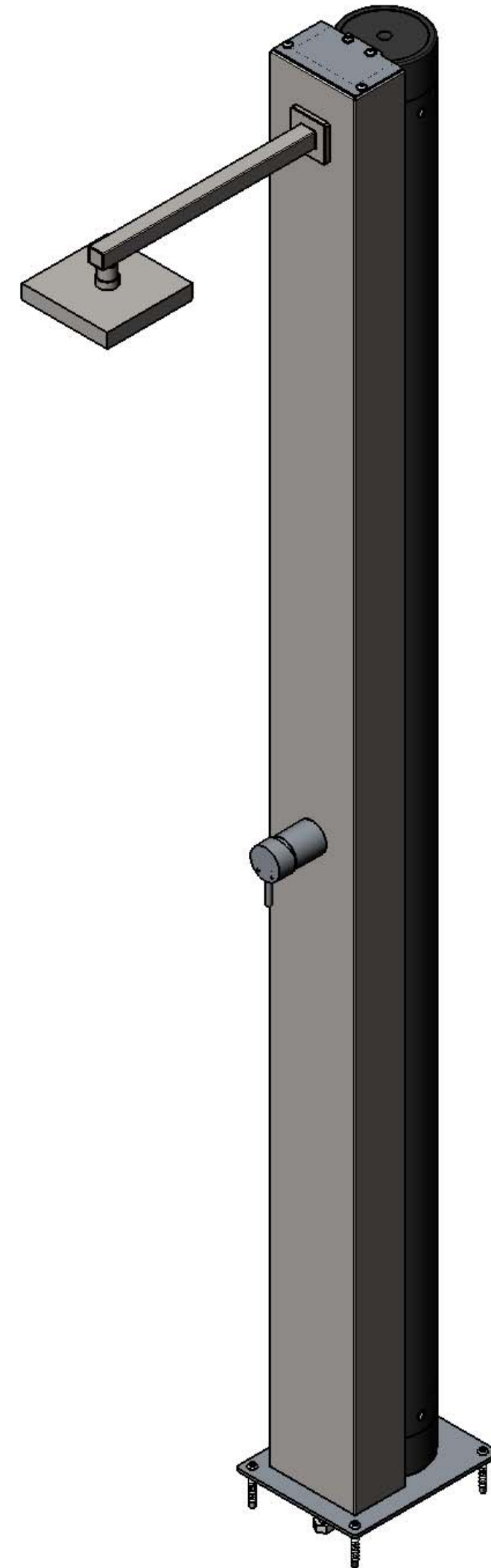


ROSCA 1/2" MACHO
1/2" MALE THREAD

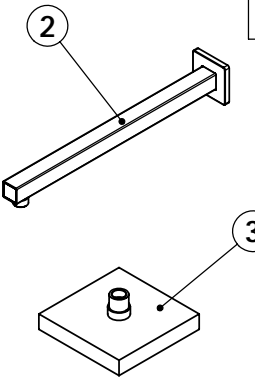
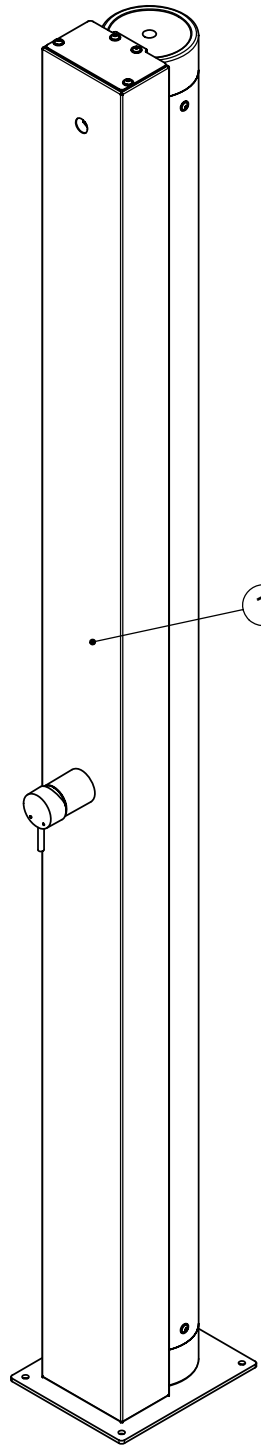
AGUA FRIA
COLD WATER

FRONTAL DUCHA
FRONT SHOWER

PRESION DE TRABAJO MAXIMO 5Bar
MAXIMUM WORKING PRESURE 5Bar



COMPONENTES
COMPONENTS

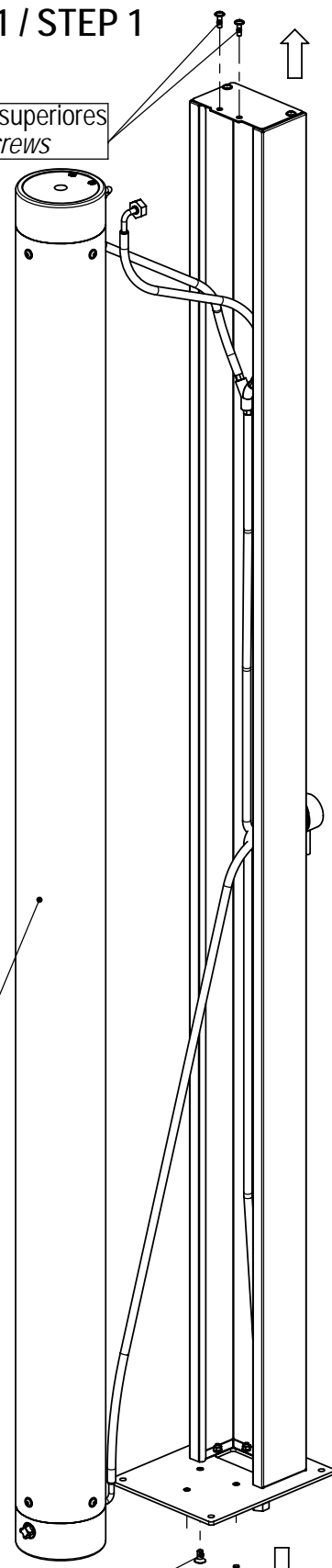


PASO 1 / STEP 1

1º / 1st
Sacar tornillos superiores
Remove top screws

3º / 3rd
Sacar deposito
Move deposit

2º / 2nd
Sacar tornillos inferiores
Remove bottoms screws



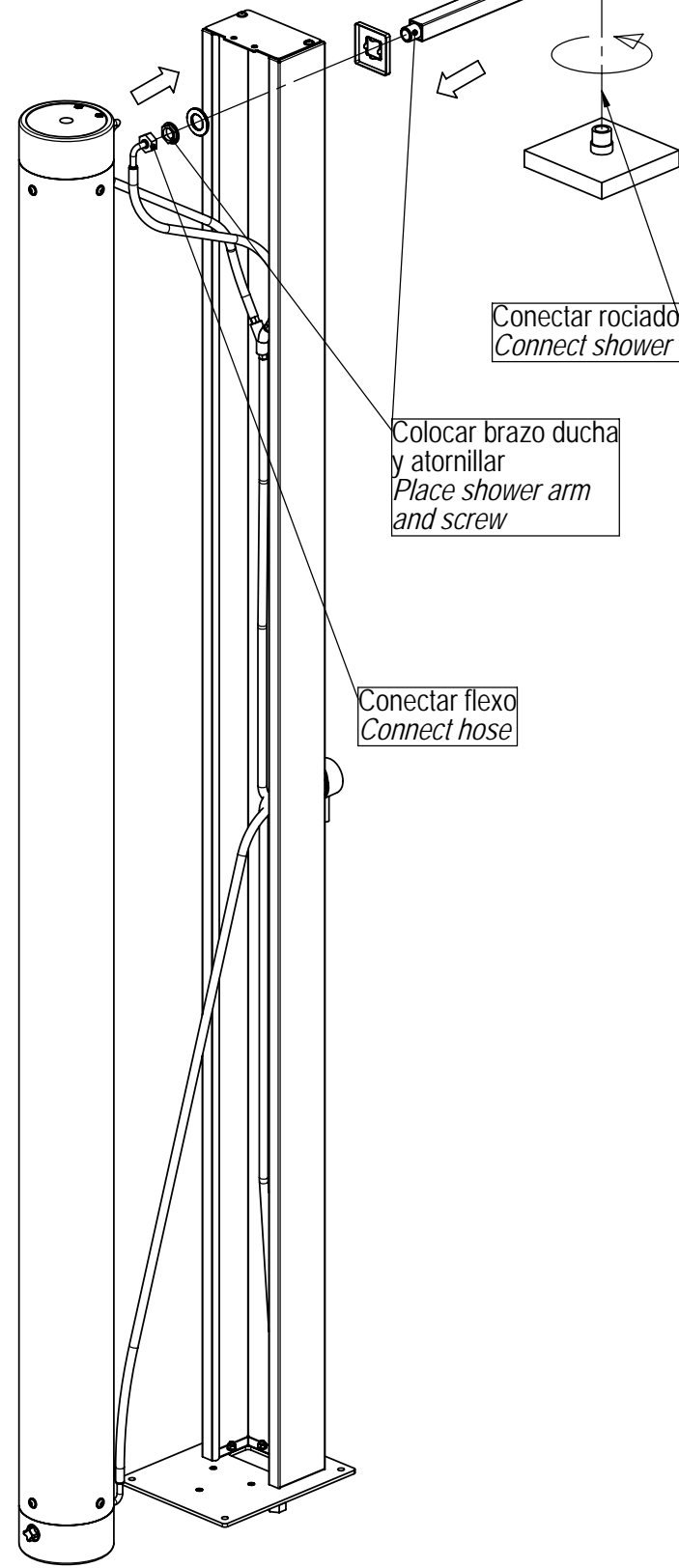
PASO 2 / STEP 2

Brazo Arm

Conectar rociador
Connect shower

Colocar brazo ducha y atornillar
Place shower arm and screw

Conectar flexo
Connect hose

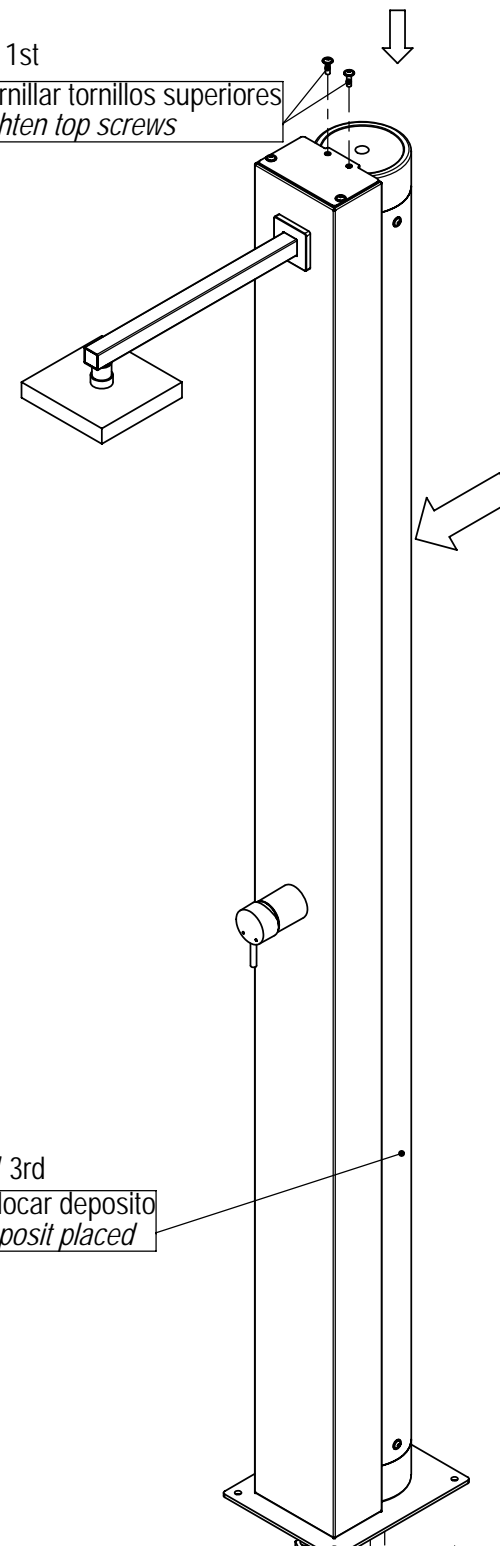


PASO 3 / STEP 3

1º / 1st
Atornillar tornillos superiores
Tighten top screws

3º / 3rd
Colocar deposito
Deposit placed

2º / 2nd
Atornillar tornillos inferiores
Tighten bottoms screws



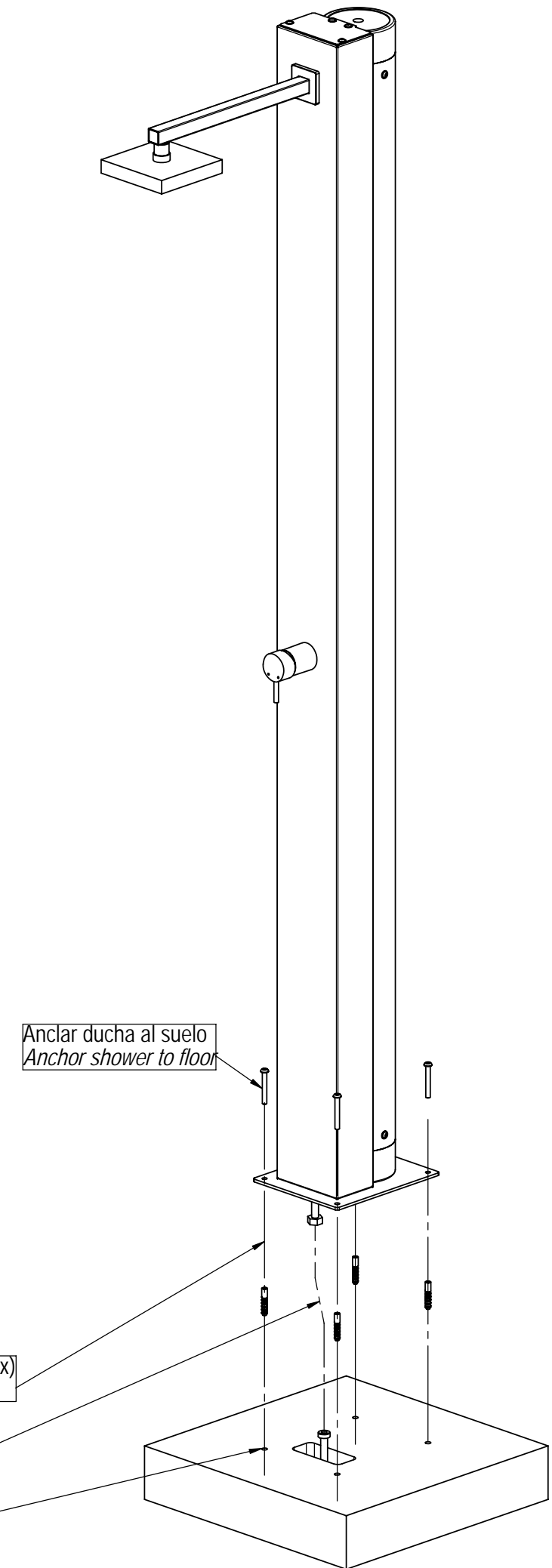
PASO 4 / STEP 4

Anclar ducha al suelo
Anchor shower to floor

Insertar taco en agujero (4x)
Insert plug into hole (4x)

Conectar latiguillo 1/2"
Connect hose 1/2"

Taladrar agujero Ø10 (4x)
Drill hole Ø10 (4x)



POS.	Descripción / Description	Cantidad / Quantity.
1	Cuerpo ducha / Body shower	1
2	Brazo ducha / Shower arm	1
3	Rociador / Splinker	1
4	Bolsa tornilleria / Screws bag	1