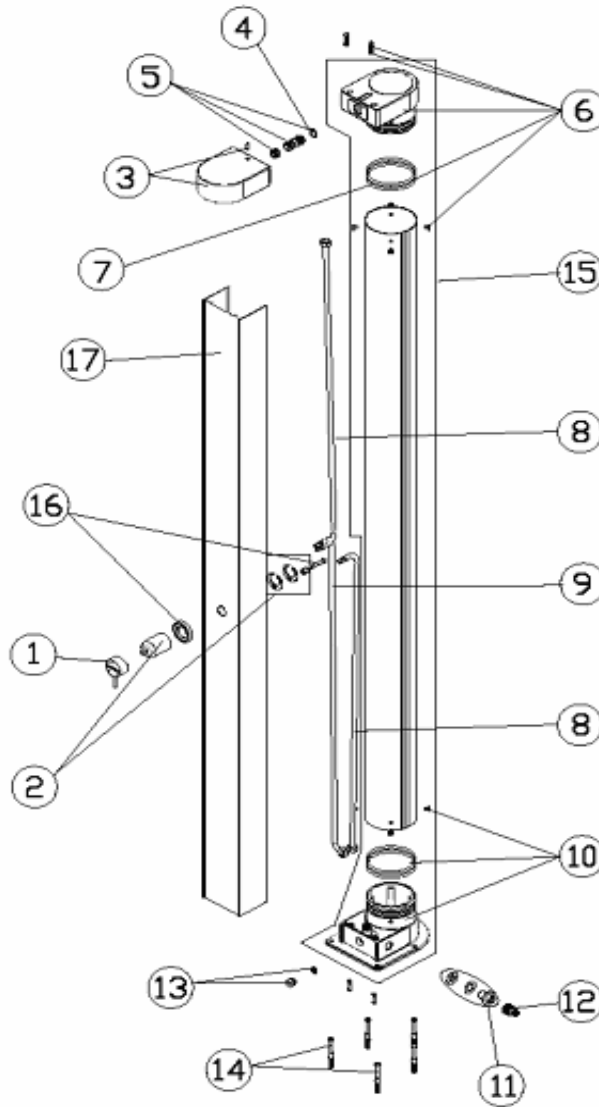


CODE **56932**

DESCRIPTION: **ANGEL SOLAR SHOWER**



POS	CODE	DESCRIPTION	POS	CODE	DESCRIPTION
1	4401040070	SINGLE-LEVER KNOB	10	4401040174	LOWER TANK CAP
2	4401043605	SINGLE-LEVER HANDLE CASING	11	4401043205	WALL CONDUIT
3	4401040171	SPRINKLER	12	4401040034	QUICK CONNECTION 1/2"
4	4401040011	FLAT GASKET	13	4401040175	DRAINING PLUG 1/4"
5	4401040172	1/2" CONNECTION	14	4401040056	BRAIDED HOSE
6	4401040173	UPPER TANK CAP	15	4401040176	TANK GROUP
7	4401043609	O-RING D. 100X6.99	16	4401040197	SINGLE-LEVEL SPACER
8	4401043207	CONNUCTION PIPE 1100 MM.	17	56932R0120	SHOWER FASCIA
9	4401043617	*FLEXIBLE HOSE 1/2" FEMALE ELBOW + M-10 MALE L = 1100 MM*			