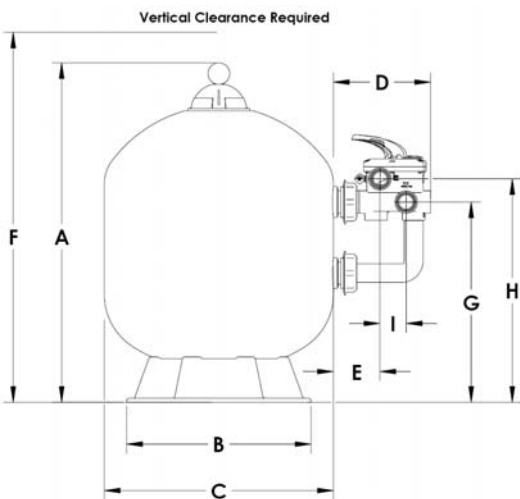
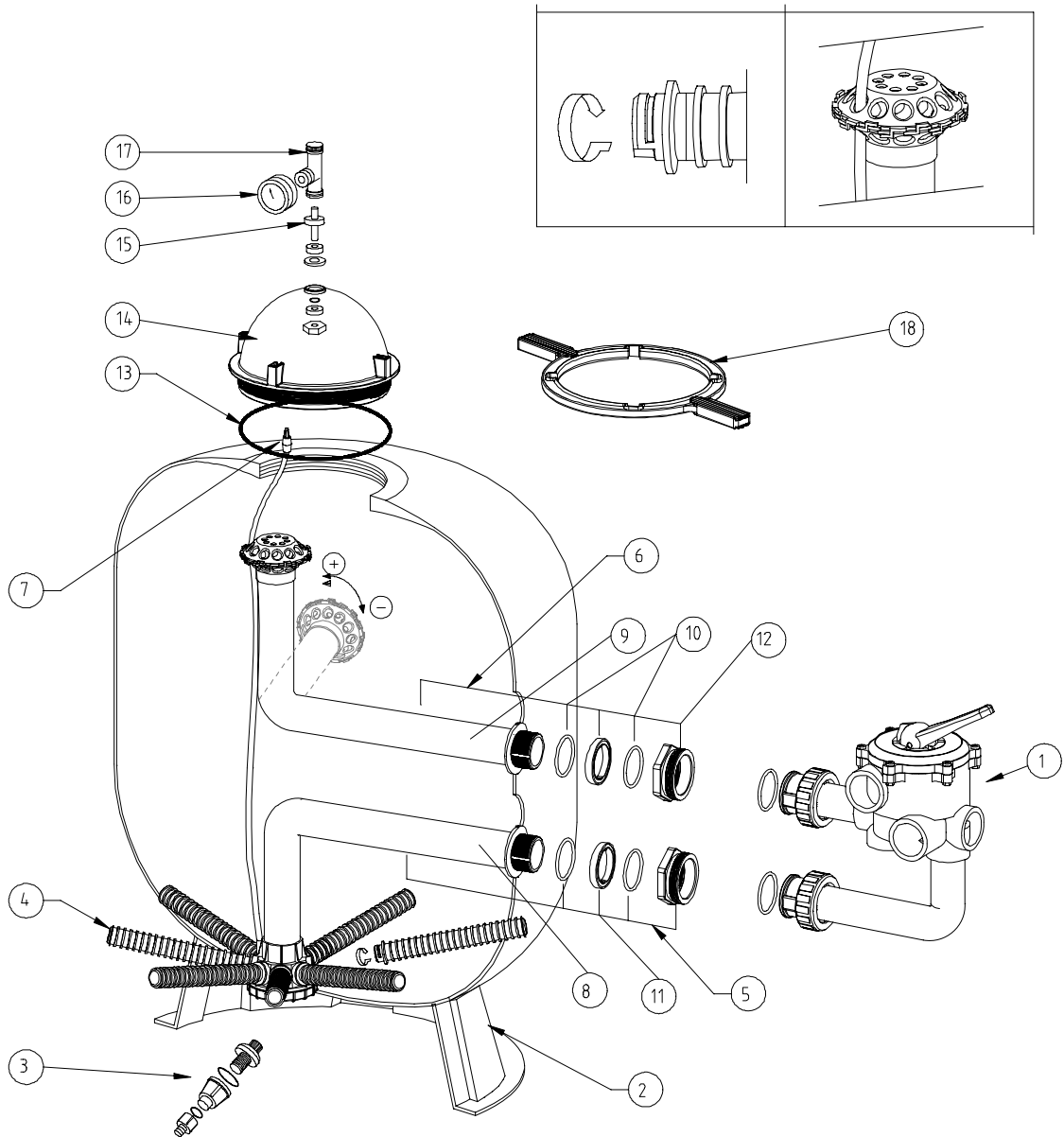


**TRITON® and TRITON® II with CLEARPRO TECHNOLOGY®**


	F-19S8-TRV	F-24S8-TRV	F-30S8-TRV	F-36S8-TRV
(mm)	F-19S8-TRCP	F-24S8-TRCP	F-30S8-TRCP	F-36S8-TRCP
<b>A</b>	825	955	1095	1200
<b>B</b>	400	400	610	610
<b>C</b>	480	610	762	914
<b>D</b>	252	252	302	302
<b>E</b>	120	120	160	160
<b>F</b>	876	1006	1146	1251
<b>G</b>	463	530	590	657
<b>H</b>	524	592	671	738
<b>I</b>	70	70	70	70

## TECHNICAL DATA

### TRITON® and TRITON® II with CLEARPRO TECHNOLOGY®

No.	Reference	Description	Qty.
1	E-26-1070ND	Manual multi-port valve 1 1/2" (complete) for filter Ø 480 mm (19") and Ø 610 mm (24")	1
1	E-26-1071	Manual multi-port valve 2" (complete) for filter Ø 762 mm (30") and Ø 914 mm (36")	1
2	G-15-4524	Tank base for filter Ø 480 mm (19") + Ø 610 mm (24")	1
2	G-15-4525	Tank base for filter Ø 762 mm (30") + Ø 914 mm (36")	1
3	G-15-4696	Drain tap 3/4" high flow (complete)	1
4	G-30-1904	Laterals for filter Ø 480 mm (19")	8
4	G-30-2404	Laterals for filter Ø 610 mm (24")	8
4	G-30-3004	Laterals for filter Ø 762 mm (30")	8
4	G-30-3604	Laterals for filter Ø 914 mm (36")	8
4	G-30-1904CP	<b>ClearPro</b> Laterals for filter Ø 480 mm (19")	8
4	G-30-2404CP	<b>ClearPro</b> Laterals for filter Ø 610 mm (24")	8
4	G-30-3004CP	<b>ClearPro</b> Laterals for filter Ø 762 mm (30")	8
4	G-30-3604CP	<b>ClearPro</b> Laterals for filter Ø 914 mm (36")	8
5	G-30-1905	Bottom diffuser system for filter Ø 480 mm (19"), consisting of (*): 8 + 10 + 11 + 12	1
5	G-30-2405	Bottom diffuser system for filter Ø 610 mm (24"), consisting of (*): 8 + 10 + 11 + 12	1
5	G-30-3005	Bottom diffuser system for filter Ø 762 mm (30"), consisting of (*): 8 + 10 + 11 + 12	1
5	G-30-3605	Bottom diffuser system for filter Ø 914 mm (36"), consisting of (*): 8 + 10 + 11 + 12	1
5	G-30-1905CP	<b>ClearPro</b> bottom diffuser system for filter Ø 480 mm (19"), consisting of (*): 8 + 10 + 11 + 12	1
5	G-30-2405CP	<b>ClearPro</b> bottom diffuser system for filter Ø 610 mm (24"), consisting of (*): 8 + 10 + 11 + 12	1
5	G-30-3005CP	<b>ClearPro</b> bottom diffuser system for filter Ø 762 mm (30"), consisting of (*): 8 + 10 + 11 + 12	1
5	G-30-3605CP	<b>ClearPro</b> bottom diffuser system for filter Ø 914 mm (36"), consisting of (*): 8 + 10 + 11 + 12	1
6	G-30-1906	Top diffuser system for filter Ø 480 mm (19"), consisting of (°): 9 + 10 + 11 + 12	1
6	G-30-2406	Top diffuser system for filter Ø 610 mm (24"), consisting of (°): 9 + 10 + 11 + 12	1
6	G-30-3006	Top diffuser system for filter Ø 762 mm (30"), consisting of (°): 9 + 10 + 11 + 12	1
6	G-30-3606	Top diffuser system for filter Ø 914 mm (36"), consisting of (°): 9 + 10 + 11 + 12	1
7	G-TT-AIR	Air relief strainer	1
13	G-15-2501	O-ring cap 8 1/2"	1
14	G-15-2500	Transparent cap 8 1/2"	1
15	G-15-4687	Adapter piece in brass (complete)	1
16	G-15-2046	Manometer	1
17	G-15-4689	Plastic manual bleed valve	1
18	G-15-4513	Wrench 8 1/2" for cap	1
The following components of the top and bottom diffuser systems are also available separately			
8 (*)	G-30-1908	Pipe set, aeration & diffuser head for bottom diffuser system filter Ø 480 mm (19")	1
8 (*)	G-30-2408	Pipe set, aeration & diffuser head for bottom diffuser system filter Ø 610 mm (24")	1
8 (*)	G-30-3008	Pipe set, aeration & diffuser head for bottom diffuser system filter Ø 762 mm (30")	1
8 (*)	G-30-3608	Pipe set, aeration & diffuser head for bottom diffuser system filter Ø 914 mm (36")	1
8 (*)	G-30-1908CP	Pipe set, aeration & diffuser head for <b>ClearPro</b> bottom diffuser system filter Ø 480 mm (19")	1
8 (*)	G-30-2408CP	Pipe set, aeration & diffuser head for <b>ClearPro</b> bottom diffuser system filter Ø 610 mm (24")	1
8 (*)	G-30-3008CP	Pipe set, aeration & diffuser head for <b>ClearPro</b> bottom diffuser system filter Ø 762 mm (30")	1
8 (*)	G-30-3608CP	Pipe set, aeration & diffuser head for <b>ClearPro</b> bottom diffuser system filter Ø 914 mm (36")	1
10 (*)	G-15-4492	O-ring for adjusting ring	2
11 (*)	G-TT-ADR	Adjusting ring external	1
12 (*)	G-TT-BHD	Adjusting and connection nut multi-port valve	1
9 (°)	G-30-1909	Pipe set + diffuser head for top diffuser system filter Ø 480 mm (19")	1
9 (°)	G-30-2409	Pipe set + diffuser head for top diffuser system filter Ø 610 mm (24")	1
9 (°)	G-30-3009	Pipe set + diffuser head for top diffuser system filter Ø 762 mm (30")	1
9 (°)	G-30-3609	Pipe set + diffuser head for top diffuser system filter Ø 914 mm (36")	1
10 (°)	G-15-4492	O-ring for reducing ring	2
11 (°)	G-TT-ADR	Adjusting ring external	1
12 (°)	G-TT-BHD	Adjusting and connection nut for multi-port valve	1
-	G-WRENCH-TT	Metal wrench for adjusting nut 2" external (G-TT-BHD)	
-	G-54-2090	Vacuum system "Sandvak"	