

# SOLENOID PUMP ME1-PH

Data  
Sheet

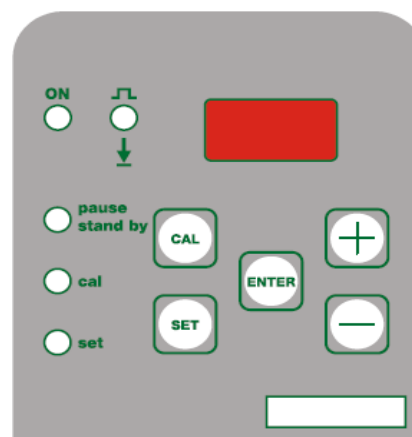
## DESCRIPTION

- ✓ Digital proportional dosing pump with built in PH controller
- ✓ Automatic recognition of PH probe efficiency
- ✓ Built in overdose alarm to avoid chemical surplus in the pool
- ✓ Suitable for dosing products PH + and PH - by software
- ✓ Programmable on the entire PH range 0-14
- ✓ Reinforced PP body
- ✓ Polycarbonate front panel
- ✓ Digital display with Stand by key and 5 status led
- ✓ Pump head with Manual bleed
- ✓ IP 65 Protection Degree
- ✓ Standard Power Supply 230 Vac
- ✓ 100% Made in Italy
- ✓ CE approved



## OPTIONAL

- ✓ PVDF pump head with PTFE seals (suitable to dose High concentration Sodium Hypochlorite or strong Oxidizing agents)
- ✓ Level probe input
- ✓ SCHUKO plug
- ✓ ON / OFF switch
- ✓ Level probe input (it will replace the overdose alarm output)



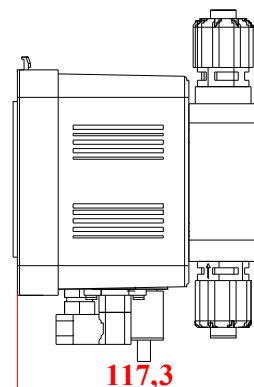
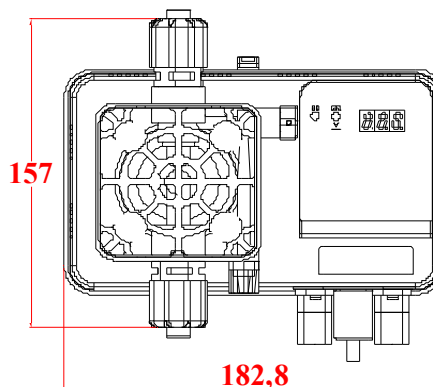
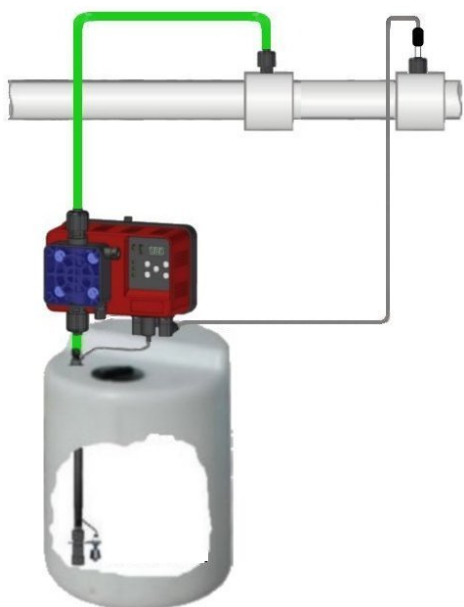
	DESCRIPTION	
	Standard Material	Upon request
<b>Standard Version</b>		
Pump Head	PP 1/2" fitting	PVDF 1/2" fitting
Balls	Pyrex	Ceramic, PTFE, AISI 316
Diaphragm	PTFE	-----
Fittings	PP Viton®	PVDF EPDM
Seals		
Valve Body	PP 4 x 6 PP 4 x 6 lip valve	PVDF 4 x 6 PVDF 4 x 6 ball valve
Foot Filter		
Injection Valve	PP 4 x 6 ball valve	PVDF 4x6 ball valve
Suction tube	PVC 4 x 6	PVDF
Delivery tube	PE 4 x 6	PVDF

# SOLENOID PUMP ME1-PH

Data  
Sheet

## TECHNICAL SPECIFICATIONS

Standard	Max l/h	Pressure		Max cc / imp	Stroke	Solenoid	Pump Head	Power [Watt]	Pulses	Weight	
		Bar	PSI							kg.	Lbs
1,5-12	1,5	12	176	0,14	0,9	Ø 80	PP	50	180	3,5	6,7
02-11	02	11	162	0,18	0,9	Ø 80	PP	50	180	3,5	6,7
04-09	04	09	132	0,37	0,9	Ø 80	PP	50	180	3,5	6,7
05-08	05	08	117	0,46	1,1	Ø 80	PP	50	180	3,5	6,7
07-05	07	05	73,5	0,65	1,1	Ø 80	PP	50	180	3,5	6,7
08-04	08	04	59	0,74	1,3	Ø 80	PP	50	180	3,5	6,7
10-02	10	02	29	0,92	1,3	Ø 80	PP	50	180	3,5	6,7
15-0,5	15	0,5	7,35	1,39	1,3	Ø 80	PP	50	180	3,5	6,7



## STANDARD KIT

	Injection Valve	PP Foot filter with lip valve	Delivery tube 2mt PE 4x6	2mt PVC 4x6 Suction tube	1,5mt PVC 4x6 Bleed tube
STANDARD KIT					