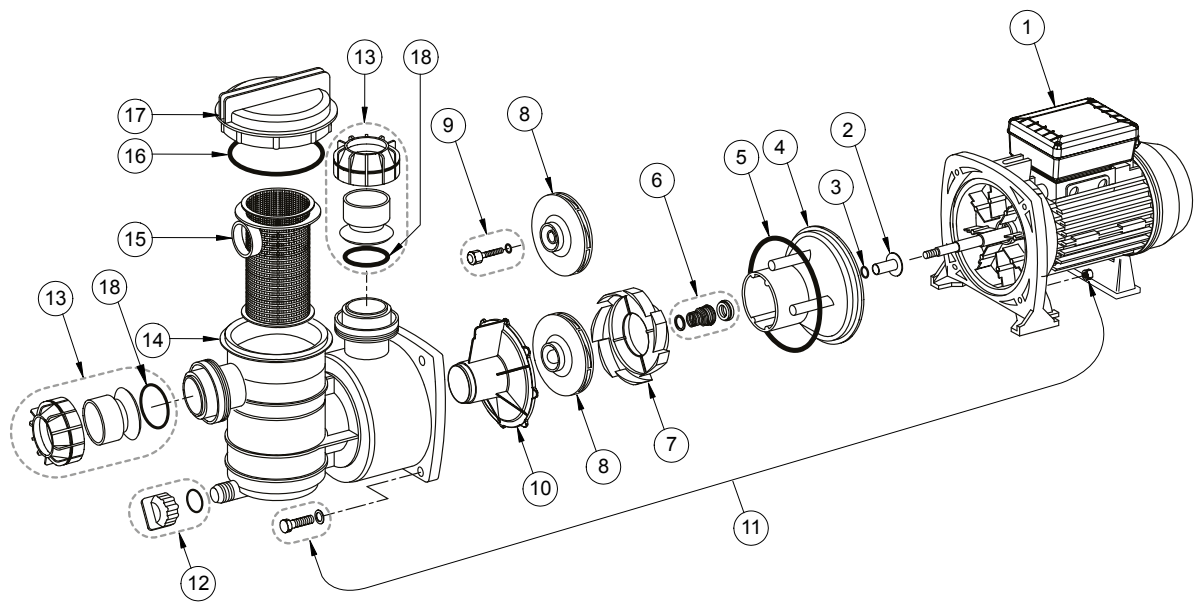


SWIMMEY™



SWIMMEY™

Replacement Parts

No.	Part No.	Description	Part No. Includes*
1**	N/A	Motor	1
2	R604000	Shaft Sleeve (0,18KW -> 0,75KW)	1
	R505070	Shaft Sleeve (1,00KW -> 1,50KW)	1
3	R111P0960	O-Ring (0,18KW -> 0,75KW)	1
	R702218	O-Ring (1,00KW -> 1,50KW)	1
4	R731S2380	Seal Plate (0,18KW -> 0,75KW)	1
	R303350	Seal Plate (1,00KW -> 1,50KW)	1
5	R111P0970	O-Ring	1
6	R111P0910	Mechanical Seal (0,18KW -> 0,75KW)	1
	R700270	Mechanical Seal (1,00KW -> 1,50KW)	1
7	R302200	Diffuser (0,18KW -> 0,37KW)	1
	R302191	Diffuser (0,50KW -> 0,75KW)	1
	R303460	Diffuser (1,00KW -> 1,50KW)	1
8	R731SA220	Impeller 0,18KW (SW8) Mono Phase	1
	R731SA210	Impeller 0,25KW (SW10) Mono Phase	1
	R731S3090	Impeller 0,37KW (SW12) Mono & Tri Phase	1
	R504593	Impeller 0,50KW (SW15) Mono & Tri Phase	1
	R504820	Impeller 0,75KW (SW19) Mono & Tri Phase	1
	R731S2360	Impeller 1,00KW (SW24M) Mono Phase	1
	R731S2670	Impeller 1,00KW (SW24T) Tri Phase	1
	R506820	Impeller 1,13KW (SW28M) Mono Phase	1
	R731S2680	Impeller 1,13KW (SW28T) Tri Phase	1
	R507650	Impeller 1,50KW (SW33M) Mono Phase	1
	R731S2690	Impeller 1,50KW (SW33T) Tri Phase	1
9	R373376081	Impeller Lock Screw (1,00 -> 1,50KW)	1
10	R101P6420	Separator Plate (0,18KW -> 0,75KW)	1
11	RHWSWIM	Hardware Kit	4
12	R504605	Drain Cap and O-Ring	1
13	R505426	Union Kit Slip Fit 50mm	2
	R505427	Union Kit Slip Fit 1-1/2"	2
14	R303110	Pump Body	1
15	R302310	Basket	1
16	R702208	O-Ring	1
17	R404293	Lid	1
18	R111P1070	O-Ring	2

* PART NUMBER INCLUDES REQUIRED QUANTITY PER PRODUCT

** SEE MOTOR SHEET FOR MOTOR SPARE PARTS