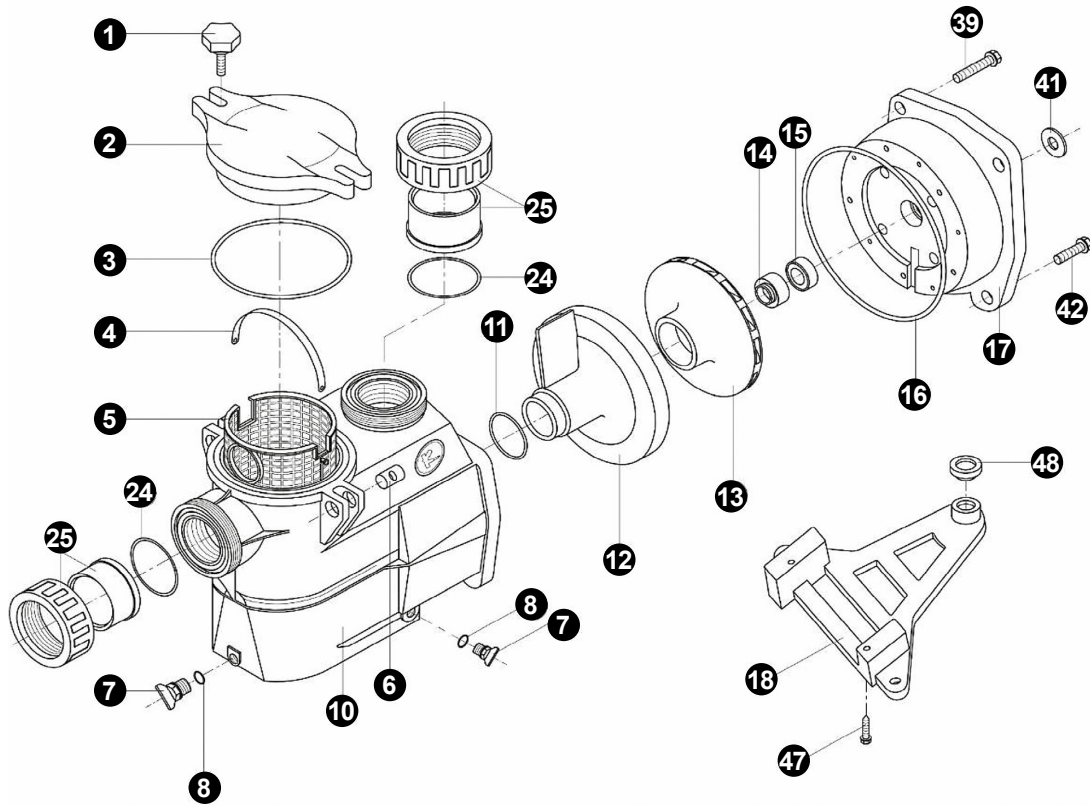


| REF. | DENOMINACIÓN DESIGNATION | COMPOSICIÓN COMPOUND BY | CAJA UD. / QTY. BOX |
|-------------|--|--|---------------------------|
| RBH0000.00R | Conjunto Desagüe / Drain set | - Nº7 (10uds./units) - Nº8 (10uds./units) | - |
| RBH0001.02R | Conjunto Palomilla / Cover screw set | - Nº1 (2uds./units) - Nº6 (2uds./units) | 10 |
| RBH0016.00R | Kit Bulón Palomilla / Pins set | - Nº6 (10uds./units) | - |
| RBH0002.03R | Tapa / Lid | - Nº2 (1ud./unit) - Nº3 (1ud./unit) | 4 |
| RBH0003.03R | Cestillo / Basket | - Nº4 (1ud./unit) - Nº5 (1ud./unit) | 5 |
| RBH0004.03R | Conjunto Juntas / O-ring set | - Nº11 (1ud./unit) - Nº16 (1ud./unit) | 10 |
| RBH0005.02R | Conjunto Retén / Seal set | - Nº14 (1ud./unit) - Nº15 (1ud./unit) - Nº11 (1ud./unit) - Nº16 (1ud./unit) | 5 |
| RBH0006.03R | Difusor / Diffuser | - Nº12 (1ud./units) | 8 |
| RBH0007.03R | Turbina 0,33HP / Impeller 0,33HP | | 5 |
| RBH0007.07R | Turbina 0,50HP / Impeller 0,50HP | | 5 |
| RBH0007.05R | Turbina 0,75HP / Impeller 0,75HP | | 5 |
| RBH0007.08R | Turbina 1,00HP / Impeller 1,00HP | - Nº13 (1ud./unit) | 5 |
| RBH0007.09R | Turbina 1,50HP / Impeller 1,50HP | | 5 |
| RBH0007.10R | Turbina 2,00HP / Impeller 2,00HP | | 5 |
| RBH0007.11R | Turbina 3,00HP / Impeller 3,00HP | | 5 |
| RBH0008.02R | Cuerpo de unión / Flange | - Nº17 (1ud./unit) | 7 |
| RBH0009.01R | Soporte / Support | - Nº18 (1ud./unit) - Nº18.1 (6uds./units) | 12 |
| RBH0010.03R | Cuerpo bomba / Pump casing | - Nº10 (1ud./unit) | 3 |
| RBH0011.03R | Kit Juntas Tapa / Lid O-ring set | - Nº3 (10uds./units) | - |
| RBH0012.02R | Kit Juntas Difusor / Diffuser O-ring set | - Nº11 (10uds./units) | - |
| RBH0013.02R | Kit Juntas Cuerpo de Unión / Flange O-ring set | - Nº16 (10uds./units) | - |
| EK50.B | Juego enlaces Ø50mm / Set of unions Ø50mm | - Nº24 (2uds./units) - Nº25 (2uds./units) | - |
| EK63.B | Juego enlaces Ø63mm / Set of unions Ø63mm | | - |



| No. | Description | Quantity | Code | Part no. |
|----------------------|----------------------------|-------------------|--------------|--------------|
| 1 + 6 | Hand knob (+swivel nut) | 2 + 2 | 500100010002 | RPUM0001.02R |
| 2 + 3 | Cover kit (cover + O'Ring) | 1 + 1 | 500100020003 | RPUM0002.03R |
| 3 | Cover O'Ring | 10 | 500100110003 | RPUM0003.03R |
| 4 + 5 | Strainer basket | 1 + 1 | 500100030003 | RPUM0005.03R |
| 6 | Swivel nut | 10 | 500100160000 | RPUM0006.00R |
| 7 + 8 | Drain kit | 10 + 10 | 500100000000 | RPUM0007.00R |
| 3 + 8 + 11 + 16 + 24 | Pump gasket kit | 1 + 2 + 1 + 1 + 2 | 500131160300 | RPUM3116.03R |
| 10 | Pump casing | 1 | 500100100003 | RPUM0010.03R |
| 11 | Diffuser O'Ring | 10 | 500100120002 | RPUM0011.02R |
| 12 | Diffuser | 1 | 500100060003 | RPUM0012.03R |
| 13 | Impeller 0,33HP | 1 | 500100070003 | RPUM0013.03R |
| | Impeller 0,50HP | 1 | 500100070007 | RPUM0013.07R |
| | Impeller 0,75HP | 1 | 500100070005 | RPUM0013.05R |
| | Impeller 1,00HP | 1 | 500100070008 | RPUM0013.08R |
| | Impeller 1,50HP | 1 | 500100070009 | RPUM0013.09R |
| | Impeller 2,00HP | 1 | 500100070010 | RPUM0013.10R |
| | Impeller 3,00HP | 1 | 500100070011 | RPUM0013.11R |
| 14 + 15 | Mechanical seal kit | 1 + 1 | 500114150100 | RPUM1415.01R |
| 16 | Casing flange O'Ring set | 10 | 500100130002 | RPUM0016.02R |
| 17 | Casing flange | 1 | 500100080002 | RPUM0017.02R |
| 18 + 48 | Pump support | 1 + 6 | 500100090001 | RPUM0018.01R |
| 39 + 42 + 47 | Hardware kit | 4 + 4 + 2 | 500139420100 | RPUM3942.01R |
| 41 | Slinger | 10 | 500100410000 | RPUM0041.00R |
| 24 + 25 | Set of unions KS Ø 50 | 2 + 2 | 500100255000 | EK50B JUEGO |
| 24 + 25 | Set of unions KS Ø 63 | 2 + 2 | 500100256300 | EK63B JUEGO |