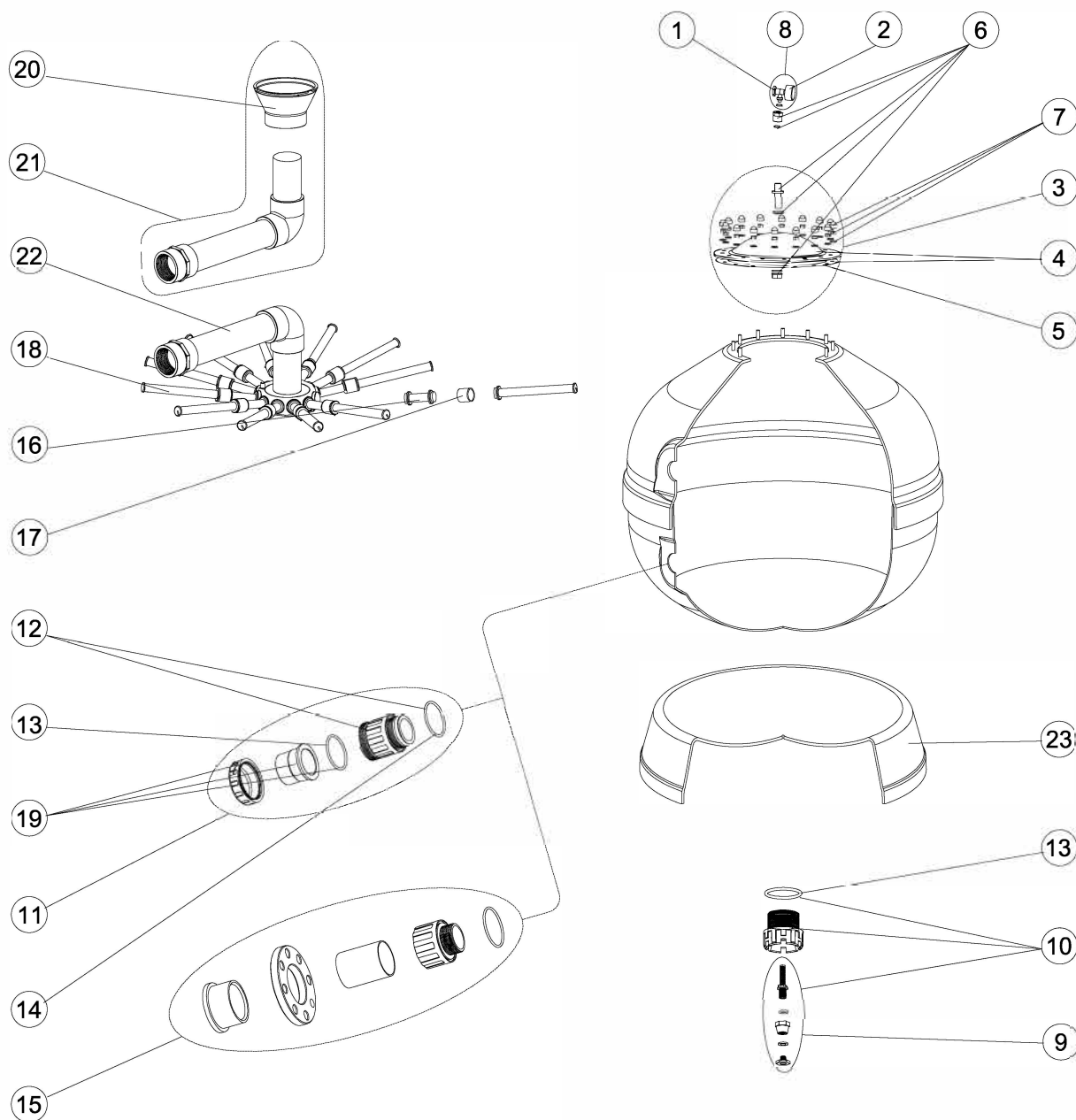


CODIGO : 32391 32392

DESCRIPCION : FILTRO VESUBIO 1050 - 1200 CON BOCA D. 400



Pos.	CODIGO	DENOMINACION	Pos.	CODIGO	DENOMINACION
1	4404130107	TORNILLO PURGA VISOR CON JUNTA	15	4404260218	CONJUNTO SALIDA D. 90 - 3"
2	4404010103	MANOMETRO 1/8" 3KG/CM.	16	4404260419	BRAZO COLECTOR 1" 100 MM.
3	4404260207	TAPA FILTRO COMPLETA	17	4404260418	MANGUITO ENLACE UNION 1"
4	4404260208	TAPA FILTRO + JUNTA	18	4404300916	BRAZO COLECTOR 1" 225 MM.
5	4404160101	JUNTA TORICA TAPA	19	4404070206	CONO DIFUSOR D.63 - 75
6	4404260210	FIJACION MANOMETRO	20	4404300910	CONO DIFUSOR D.63 - 75
7	4404260211	TORNILLERIA TAPA FILTRO	20	32135R0415	EMBUDO DIFUSOR D.190-D.90
8	4404080104	MANOMETRO COMPLETO	21	19779R0410	CJTO DIFUSOR D. 75 - 1050
9	4404010108	PURGA AGUA 3/8"	21	15790R0410	CJTO DIFUSOR D. 90 - 1200
10	4404020110	PURGA AGUA 21/2" NUEVA	22	15789R0420	CJTO COLECTOR D. 75 - 1050
11	4404040203	CONJUNTO SALIDA 2 1/2"	22	15790R0420	CJTO COLECTOR D. 90 - 1200
12	4404260216	CJTO. SALIDA 2 1/2"	23	41187R0451	PIE FILTRO D.1050
13	4404302703	JUNTA ENLACE 2 21/2"	23	20068R0151	PIE FILTRO D. 1200
14	4404040211	JUNTA TORICA D.70X5			

ENGLISH

POS.	CODE	DESCRIPTION	POS.	CODE	DESCRIPTION
1	4404130107	ANONYMOUS CAP	15	4404260218	3" OUTLET ASSEMBLY
2	4404010103	PRESSURE GAUGE 1/8" 3 KG./CM	16	4404260419	MANIFOLD ARM 1" 100 mm
3	4404260207	FILTER LID UNIT	17	4404260418	UNION 1"
4	4404260208	FILTER LID + GASKET	18	4404300916	MANIFOLD ARM 1" 225 mm
5	4404160101	LID 'O' RING	19	4404070206	3 PIECE CONNECTION 63
6	4404260210	PRESSURE GAUGE ANCHOR	20	4404300910	DIFFUSER CONE D. 63
7	4404260211	FILTER LID BOLTS	20	32135R0415	DISTRIBUTOR FUNNEL D.190 - 90
8	4404080104	COMPLETE PRESSURE GAUGE UNIT	21	19779R0410	DIFFUSOR ASSEMBLY D. 1050
9	4404010108	WATER PURGE 3/8"	21	15790R0410	DIFFUSOR ASSEMBLY D. 1200
10	4404020110	NEW WATER PURGE 21/2"	22	15789R0420	COLLECTOR SET D 1050
11	4404040203	2 1/2" SPECIAL OUTLET ASSEMBLY	22	15790R0420	COLLECTOR SET D 1200
12	4404260216	2 1/2" OUTLET ASSEMBLY	23	41187R0451	FILTER BASE D. 1050
13	4404302703	GASKET 2 1/2"	23	20068R0151	FILTER BASE D. 1200
14	4404040211	O' RING D. 70X5			

FRANÇAIS

POS.	CODE	DESCRIPTION	POS.	CODE	DESCRIPTION
1	4404130107	BOUCHON PURGE 1/4" ANONYME AVEC JOINT	15	4404260218	ENSEMBLE SORTIE 3"
2	4404010103	MANOMETRE 1/8" 3 KG./CM	16	4404260419	BRAS DE REPARTITEUR 1" 100mm
3	4404260207	COUVERCLE DE FILTRE COMPLETE	17	4404260418	MANCHON UNION 1"
4	4404260208	COUVERCLE FILTRE + JOINT	18	4404300916	BRAS DE REPARTITEUR 1" 225mm
5	4404160101	JOINT TORIQUE COUVERCLE	19	4404070206	ECROU RACCORD 3 PIECES 63
6	4404260210	FIXATION MANOMETRE	20	4404300910	DIFUSOR CONIQUE SUPERIOR D. 63
7	4404260211	VISSERIE COUVERCLE DE FILTRE	20	32135R0415	ENTONNOIR DIFUSEUR D.180 - 90
8	4404080104	MANOMETRE COMPLET	21	19779R0410	ENSEMBLE DIFFUSEUR D. 1050
9	4404010108	PURGE D'EAU 3/8"	21	15790R0410	ENSEMBLE DIFFUSEUR D. 1200
10	4404020110	NOUVELLE PURGE D'EAU 21/2"	22	15789R0420	ENSEMBLE COLLECTEUR D. 1050
11	4404040203	ENSEMBLE SORTIE 2 1/2" SPECIAL	22	15790R0420	ENSEMBLE COLLECTEUR D. 1200
12	4404260216	ENSEMBLE SORTIE 2 1/2"	23	41187R0451	SOCLE FILTRE D 1050
13	4404302703	JOINT 2 1/2"	23	20068R0151	SOCLE FILTRE D 1200
14	4404040211	JOINT TORIQUE D 70X5			

ITALIANO

POS.	CODE	DESCRIPTION	POS.	CODE	DESCRIPTION
1	4404130107	TAPPO 1"1/4 SCARICO ANONIMO CON GUARNIZIONE	15	4404260218	GRUPPO USCITA 3"
2	4404010103	MANOMETRO 1/8" 3 KG./CM	16	4404260419	CANDELOTTO COLLECTORE 1" 100mm
3	4404260207	COPERCHIO FILTRO COMPLETO	17	4404260418	MANICOTTO DA 1" PER CANDELOTTI
4	4404260208	COPERCHIO FILTRO + GUARNIZIONE	18	4404300916	CANDELOTTO COLLECTORE 1" 225mm
5	4404160101	O-RING COPERCHIO	19	4404070206	GHIERA BOCCHETONE 63
6	4404260210	FISSAGGIO MANOMETRO	20	4404300910	CONO DIFFUSORE D. 63
7	4404260211	BULLONERIA COPERCHIO FILTRO	20	32135R0415	CONO DIFFUSORE D. 190-90
8	4404080104	MANOMETRO COMPLETO	21	19779R0410	GRUPPO DIFFUSORE D. 1050
9	4404010108	SCARICO ACQUA 3/8"	21	15790R0410	GRUPPO DIFFUSORE D. 1200
10	4404020110	SCARICO ACQUA 21/2" NUOVO	22	15789R0420	KIT COLLETTORE D.1050
11	4404040203	KIT USCITA 2 1/2" SPECIALE	22	15790R0420	KIT COLLETTORE D.1200
12	4404260216	GRUPPO USCITA 2 1/2"	23	41187R0451	BASE FILTRO D 1050
13	4404302703	GUARNIZIONE D.2 1/2"	23	20068R0151	BASE FILTRO D 1200
14	4404040211	O-RING D 70X5			

DEUTSCH

POS.	CODE	DESCRIPTION	POS.	CODE	DESCRIPTION
1	4404130107	KAPPE FÜR ABLASS 1/4" NEUTRAL MIT DICHTUNG	15	4404260218	SET AUSLAUF 3"
2	4404010103	MANOMETER 1/8" 3 KG./CM	16	4404260419	FILTERSTERN SCHLITZROHR 1" 100mm
3	4404260207	FILTERDECKEL KOMPLETT	17	4404260418	MUFFE 1"
4	4404260208	DECKEL + DICHTUNG	18	4404300916	FILTERSTERN SCHLITZROHR 1" 225mm
5	4404160101	DICHTUNG DECKEL	19	4404070206	3-TEILIGER ANSCHLUSS 63
6	4404260210	BEFESTIGUNG MANOMETER	20	4404300910	VERTEILER KONUS D. 63
7	4404260211	SCHRAUBENSATZ DECKEL	20	32135R0415	VERTEILERTRICHTER D.190 - 90
8	4404080104	MANOMETER + ENTLÜFTUNG	21	19779R0410	SET VERTEILER D. 1050
9	4404010108	ENTLEERUNGSSATZ FILTER 3/8"	21	15790R0410	SET VERTEILER D. 1200
10	4404020110	ENTLEERUNG FILTER 21/2" MIT VERSCHRAUBUNG	22	15789R0420	SET SAMMELROHR D. 1050
11	4404040203	BEHÄLTERANSCHLUSSSATZ ASTER 900	22	15790R0420	SET SAMMELROHR D. 1200
12	4404260216	SET AUSLAUF 2 1/2"	23	41187R0451	FUSS FILTER D 1050
13	4404302703	DICHTUNG 2 1/2"	23	20068R0151	FUSS FILTER D 1200
14	4404040211	O-RING D 70X5			

PORTUGUÊS

POS.	CODE	DESCRIPTION	POS.	CODE	DESCRIPTION
1	4404130107	TAMPA PURGA 1/4" ANONIMO COM JUNTA	15	4404260218	CONJUNTO SAIDA 3"
2	4404010103	MANOMETRO 1/8" 3 KG./CM	16	4404260419	BRAÇO COLECTOR 1" 100mm
3	4404260207	TAMPA FILTRO COMPLETO	17	4404260418	RACCORD UNIAU 1"
4	4404260208	TAMPA FILTRO + JUNTA	18	4404300916	BRAÇO COLECTOR 1" 225mm
5	4404160101	JUNTA TÓRICA TAMPA	19	4404070206	PORCA UNIAO 3 PEÇAS 63
6	4404260210	FIXAÇÃO MANOMETRO	20	4404300910	CONO DIFUSOR D. 63
7	4404260211	PARÁFUSOS TAMPA FILTRO	20	32135R0415	FUNIL DIFUSOR D.190 - 90
8	4404080104	MANÓMETRO COMPLETO	21	19779R0410	CONJUNTO DIFUSOR D. 1050
9	4404010108	PURGA AGUA 3/8"	21	15790R0410	CONJUNTO DIFUSOR D. 1200
10	4404020110	PURGA ÁGUA 21/2" NOVA	22	15789R0420	CONJUNTO COLECTOR D.1050
11	4404040203	CONJUNTO SAÍDA 2 1/2" ESPECIAL	22	15790R0420	CONJUNTO COLECTOR D.1200
12	4404260216	CONJUNTO SAÍDA 2 1/2"	23	41187R0451	PÉ FILTRO D 1050
13	4404302703	JUNTA 2 1/2"	23	20068R0151	PÉ FILTRO D 1200
14	4404040211	JUNTA TÓRICA D 70X5			