

«MINI» LIGHT OF LEDS



IMPORTANT: The instruction manual you are holding includes essential information on the safety measures to be implemented for installation and start-up. Therefore, the installer as well as the user must read the instructions before beginning installation and start-up.
Keep this manual for future reference.

To achieve optimum performance of the Mini light for LED's, follow the instructions provided below:

1. VERIFY THE CONTENTS OF THE PACKING:

The following accessories are included inside the box:

Quick coupling Mini light

Models : I0306MIR, I0306MPR,
I0306WIR, I0306WPR, I0306NWIR



- Unit floodlamp
- Decorative cover
- O'ring
- Installation and maintenance manual
- Manual for electrical connection

Concrete pool Mini spot light

Models : I0308MIR, I0308MPR,
I0308WIR, I0308WPR



- Housing body
- Floodlamp unit
- Key for Mini light
- Bag of screws
- Installation and maintenance manual
- Manual for electrical connection

Mini light for SPAs

Models : I0307MIR, I0307MPR,
I0307WIR, I0307WPR



- Unit floodlamp
- Decorative cover
- Butt joint
- Nut
- Installation and maintenance manual
- Manual for electrical connection

2. GENERAL CHARACTERISTICS:

This floodlamp is a Class III electric apparatus with very low safety voltage.

The floodlamp complies with IPX8 degree of protection (resistance to penetration of dust, solid bodies and humidity) at a nominal immersion depth of 2 m.

This floodlamp complies with international safety standards for lights, especially the EN 60598-2-18 standard: LIGHTS PART 2: SPECIFIC REQUIREMENTS SECTION 18 LIGHTS FOR SWIMMING POOLS AND SIMILAR APPLICATIONS.

The manufacturer is not responsible in any circumstances for assembly, installation or start-up of any electric components which have been inserted or handled at locations other than its own premises.

3. INSTALLATION:

- In order to clearly light a pool it is recommended to install a floodlamp every 5 m² of water surface. In swimming pools which are especially deep, a floodlamp is required for every 10 m³ of water volume.
- In order to prevent glare, the floodlamps should be installed so that they face away from the residence or usual view of the swimming pool.
- In the event that lighting is used in training or competition pools, the floodlamps should be installed on the sides to prevent glare on the swimmers.
- To avoid the need to empty the pool to change the lamp, we recommend that the floodlamp be installed in areas which are accessible from the upper edge of the pool.

Prior to installation verify that the gland seal has been fully tightened.

4. ASSEMBLY:

Quick coupling Mini light

This light is manufactured for installation in guiding tube.

1. Install the wall conduit in the concrete wall, at a distance of 400-700 mm. below the water level (Fig. 1).
2. The wall conduit must be extended with a cable conduit the length of which remains above the maximum level of the swimming pool or spa (Fig. 5).
3. Feed the light cable through the conduit (Fig. 6). Leave enough length of cable in order to be able to remove the floodlamp to the border of the swimming pool (Fig. 2).
4. Then fit the light itself, pushing it into place (Fig. 7).

Mini light for SPAs

This light is manufactured for installation in SPAs and metal or polyester bath-tubs. It does not require a niche or guiding tube for its installation.

1. The light should be installed at approximately 400 mm below the water-level of the SPAs and in a place where it cannot easily be covered by the body of a person. Install it preferably in the wall of the steps at the entrance of the SPAs (Fig.1).
2. With the use of a drill make a round hole a diameter of 60 mm in the wall of SPAs (Fig. 3).
3. Place the rubber gasket and the light inside the SPAs. Check that there is not dirt in the part of the projector that is with it in touch.
4. Place the nut of 2" on the back-part of the body of the SAPS. Fixing the nut to the body of the light (Fig. 4).

Take the precaution of leaving 1.5 m of cable wound on the body of the floodlamp in order to be able to remove the floodlamp to the edge of the pool in the event that handling is required (Fig. 2).

Spot Mini light for concrete swimming pools

To install a floodlamp in a concrete pool the housing (n.13) should be fixed in the wall of the swimming pool (Fig.1). Use eight M6x24 (n.5) screws to secure the housing clamp to the pool.

After the housing has been installed, then assemble the floodlamp.

Insert the cable in the cable duct. Then, tighten the nut on the cable duct. Take the precaution of leaving 1.5 m of cable wound on the body of the floodlamp (Fig. 11) in order to be able to remove the floodlamp to the edge of the pool in the event that handling is required (Fig. 2).

Insert the entire floodlamp assembly in the housing and secure it (Fig. 12).

5. MAINTENANCE:

This projector does not require any type of maintenance. If the projector is not working properly, please contact our customer attention department.

THIS PRODUCT DOES NOT CONTAIN ANY ELEMENTS THAT CAN BE HANDLED, DISMANTLED OR REPLACED BY THE USER. IT IS FORBIDDEN TO ACCESS INSIDE THE PRODUCT, OTHERWISE THE GUARANTEE OF THE PRODUCT WILL BECOME INVALID.

6. SAFETY WARNINGS:

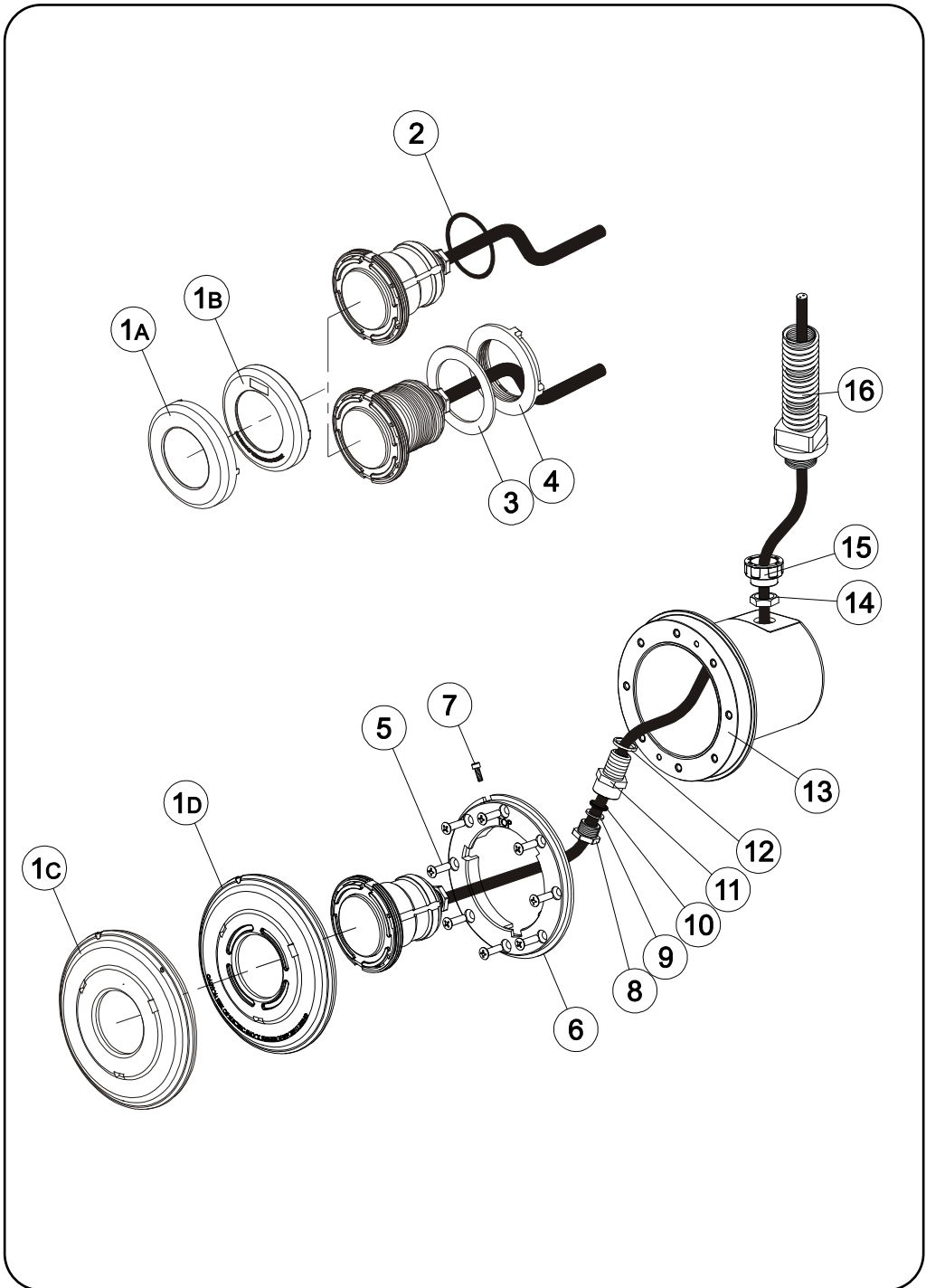
- People in charge of assembly should be suitably qualified for this type of work.
- Avoid making contact with the electric voltage.
- Comply with the current standards regarding accident prevention.
- In this regard, the IEC 364-7-702 standards must be observed: **WIRING IN BUILDINGS SPECIAL WIRING SWIMMING POOLS**
- All maintenance operations should be performed with the projector disconnected from the Mains.

7. ASSEMBLY AND FUNCTIONING WARNINGS:

- It is not recommended the use of sealing putty in this product and, anyway, you should use only products specifically conceived to work with ABS, all those products of universal use remain excluded.
- The projector is designed **TO OPERATE ONLY WITH A SAFETY TRANSFORMER**.
- The manufacturer is not responsible in any circumstances for assembly, installation or start-up of any electric components which have been inserted or handled at locations other than its own premises.
- It is responsibility of the installer to ensure that no water gets inside the projector by means of the cables.
- This projector is not designed to work submerged in seawater.
- This projector is resistant to pool treatments described below, always that the concentration values do not exceed the following levels:

TYPE OF TREATMENT	CONCENTRATION IN WATER
Chlorine	2 g/l
Bromine	5 g/l
Salt electrolysis (Na Cl)	6 g/l

Attention : Please note that the Ph of pool water always must be between 7.2 and 7.6.



N	CODE	DESCRIPTION	I0306MIR	I0306WIR	I0306MPR	I0306WPR	I0307MIR	I0307WIR	I0307MPR	I0307WPR	I0308MIR	I0308WIR	I0308MPR	I0308WPR	QUANT
1A	33684R0100	Stainless decorative cover	X												1
1A	33684R0101	Stainless decorative cover					X								1
1B	08554R0005 IP 00	Decorative cover	X		X		X		X						1
1C	33686R0101	Stainless decorative cover									X				1
1D	04582R0004 IP 00	Decorative cover									X		X		1
2	7230530030	O'ring	X		X										1
3	04051R0003	Butt joint					X		X						1
4	04051R0001	Nut					X		X						1
5	33351R0002	DIN 966 A4 M-6x24 Punt. screw									X		X		8
6	04582R0002	Floodlamp housing clamp									X		X		1
7	7020704012	DIN 912 A4 M-4x12 screw									X		X		1
8	00346R0010	PG-11 gland seal nut									X		X		1
9	00346R0012	Plastic washer									X		X		1
10	00346R0011	Cable gland seal									X		X		1
11	32382R0001	Floodlamp cable duct body									X		X		1
12	04582R0104	22x18,6x2,5 gland seal joint									X		X		1
13	32382R0100	Dichroic floodlamp housing									X		X		1
14	04582R0102	Cable duct nut									X		X		1
15	08556R0005	PG11-M25 floodlamp cable duct nut									X		X		1
16	28138	M25-¾" cable duct hose (1)													1

(1) Optional

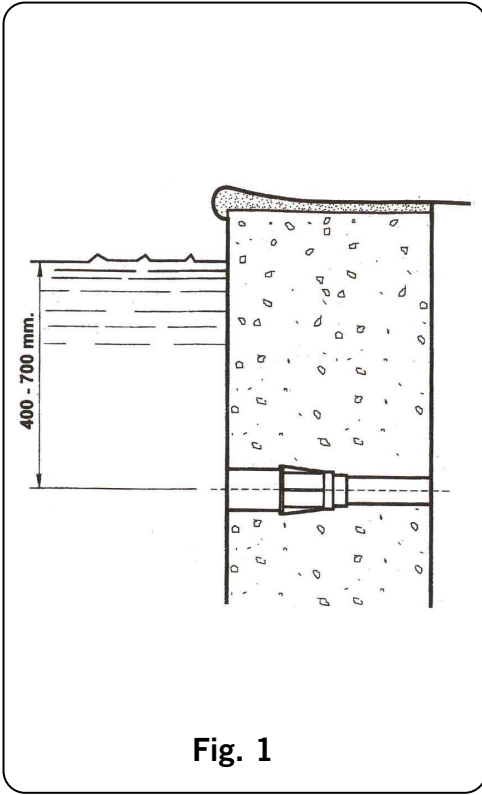


Fig. 1

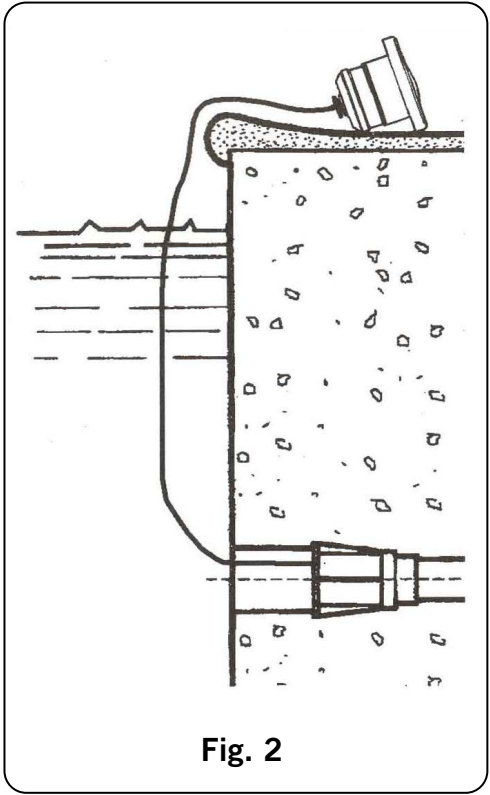


Fig. 2

Onled Mini light for SPAs

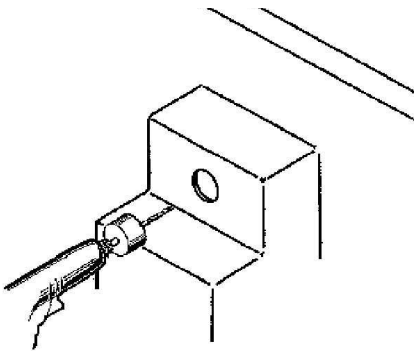


Fig. 3

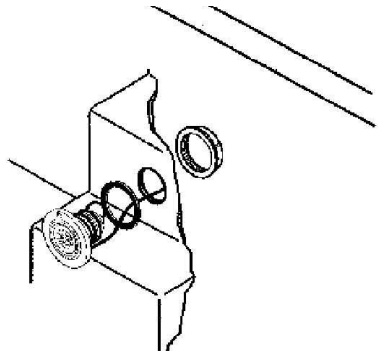


Fig. 4

Quick coupling Mini light

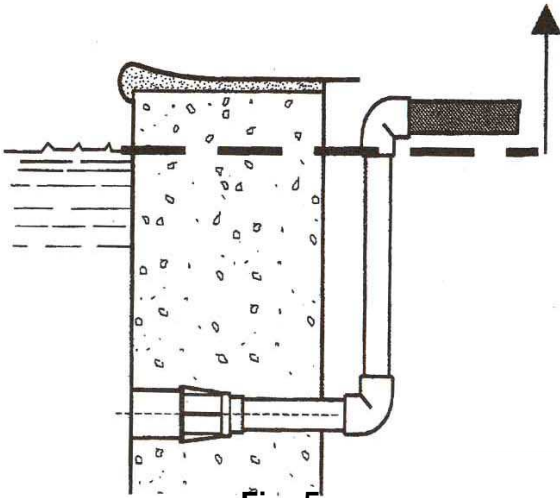


Fig. 5

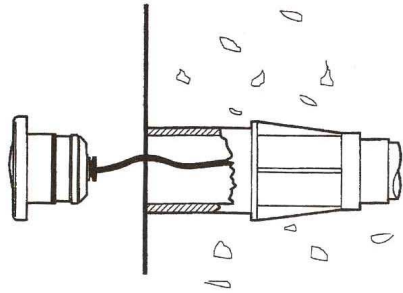


Fig. 6

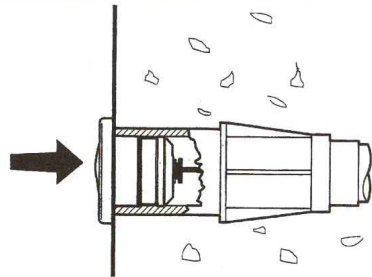


Fig. 7

Onled Spot Mini light for concrete pool

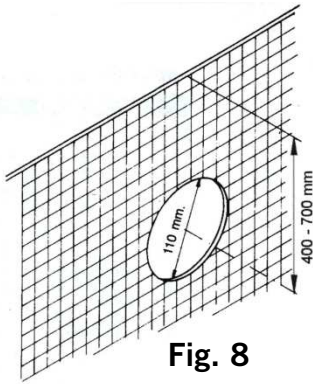


Fig. 8



Fig. 9

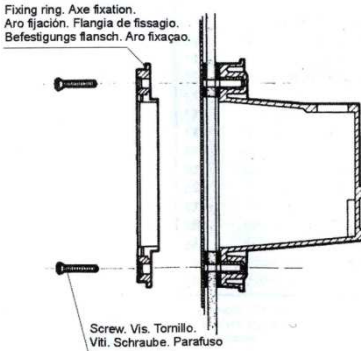


Fig. 10

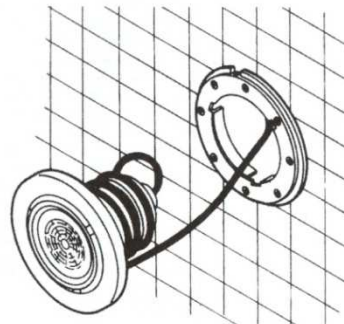


Fig. 11

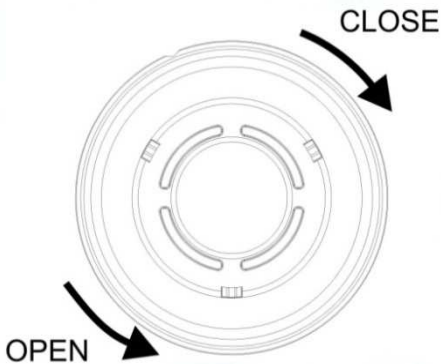
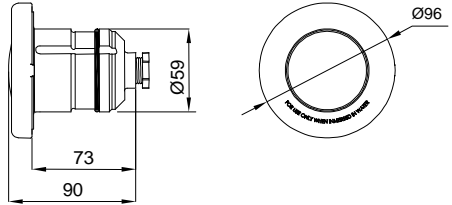


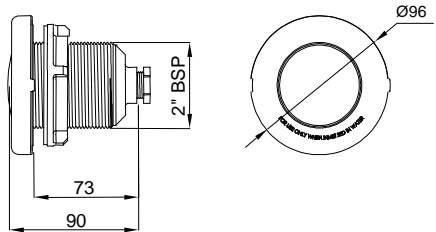
Fig. 12

- DIMENSIONS
- DIMENSIONS
- DIMENSIONES
- DIMENSIONI

Model : **I0306MIR – I0306MPR**
I0306WIR – I0306WPR
I0306NWIR



Model : **I0307MIR – I0307MPR**
I0307WIR – I0307WPR



Model : **I0308MIR – I0308MPR**
I0308WIR – I0308WPR

