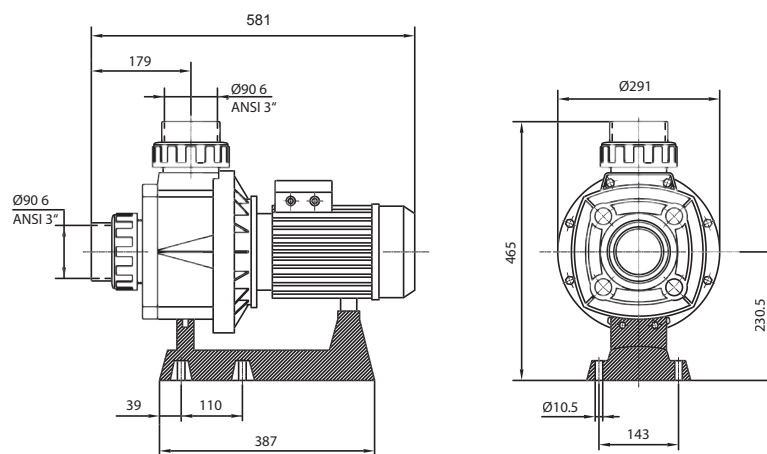


**2** YEARS OF WARRANTY

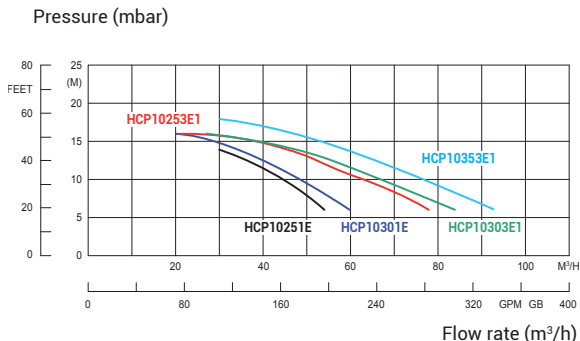


## Centrifugal pumps for up stream equipment, spas

- The three-phase motors are compliant with the IE3 standard
- Turbine made of reinforced Noryl
- This pump is suitable to be used for salt water and sea water
- Thermoset plastic hydraulic body
- Operates at 50 Hz / 3000 rpm, IP55, class F insulation
- Usages: up stream equipment, spas



### HCP1000 Curves



Reference	Type (HP)	Input power P1 (kW)	Flow rate* (m³/h)	Inlet / Outlet (mm)	Weight (kg)	Model	Amperage (A)
HCP10251E	2.5	2.3	44	90	24.8	Single-phase 230V	12.4
HCP10301E	3	2.76	48	90	26.8	Single-phase 230V	14.5
HCP10253E1	2.5	2.3	44	90	21.5	Three-phase 230 / 400V	8.3/4.8
HCP10303E1	3	2.76	48	90	21.5	Three-phase 230 / 400V	8.8/5.1
HCP10353E1	3.5	3.7	63	90	26.8	Three-phase 230 / 400V	10.4/6
HCP10453E1	4.5	4.3	67	90	-	Three-phase 230 / 400V	-
HCP10253E	2.5	-	44	90	-	Three-phase 230 / 400V	-
HCP10303E	3	-	48	90	-	Three-phase 230 / 400V	-
HCP10353E	3.5	-	63	90	-	Three-phase 230 / 400V	-
HCP10453E	4.5	-	67	90	-	Three-phase 230 / 400V	-

**IE3** ✓  
**IE3** ✓  
**IE3** ✓  
**IE3** ✓

\* under 10m water column pressure

HCP 1000 SERIES