

# Ladders

HARD-WEARING, WITH AN EXCEPTIONAL FINISH

## Scala Ladders

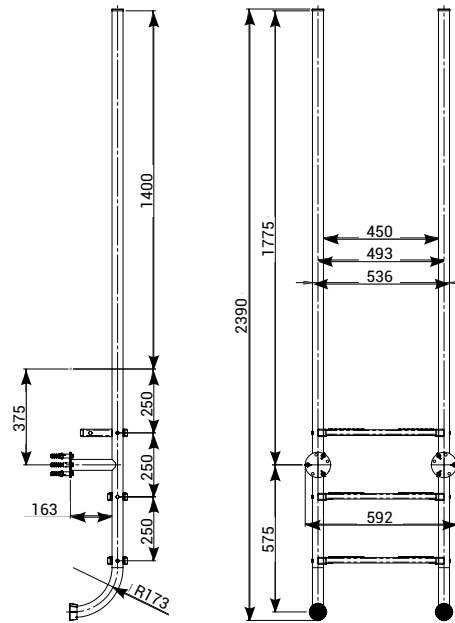
Scala, the coolest design with the highest quality level. The Hayward® Scala ladder, with its clean and stylish design, has the distinguish look that shifts the swimming pool to a premium level. Made of AISI 316 stainless steel, D43 mm handrail, shiny polished finishing, includes a double first step and non-slip pad in all the steps for a safe and comfortable user experience. Designed according EN 16582-1. Three and four steps version available. The ladder is supplied with stoppers, screws, anchors and rubber fleece for the flanges.

Item	Ref.	Stainless steel	No. steps	Weight	Vol.	qty/pallet	M.O.Q**	DIMENSIONS		
								Depth	Width	Height
070910330000F	IS3PHF	AISI 316L	2 + 1 DOUBLE	11.8 kg	0.08 m³	20	1	153 mm	500 mm	2294 mm
070910340000F	IS4PHF	AISI 316L	3 + 1 DOUBLE	13.2 kg	0.09 m³	20	1	153 mm	500 mm	2544 mm

\*\* Minimum order quantity



Scala Ladders IS3PHF  
Designed according EN 16582-1



Double safety step and non-slip pads in all the steps for a safe and comfortable user experience. Flange with three anchoring points for reliable fixing to the wall.





# Ladders

HARD-WEARING, WITH AN EXCEPTIONAL FINISH

## Standard Ladders

Made of AISI 316 or AISI 304 stainless steel, D43 mm handrail, shiny polished finishing, includes non-slip pad in all the steps for a safe and comfortable use. Designed according EN 16582-1. Supplied with anchors -one of them with earth connection-, stoppers, screws and trims.

Item	Ref.	Stainless steel	No. steps	Weight	Vol.	qty/pallet	M.O.Q**	DIMENSIONS		
								Depth	Width	Height
070101320000F	PI2HF	AISI 304L	2	10 kg	0.06 m <sup>3</sup>	20	1	657 mm	500 mm	1326 mm
070101330000F	PI3HF	AISI 304L	3	11.8 kg	0.07 m <sup>3</sup>	20	1	657 mm	500 mm	1576 mm
070101340000F	PI4HF	AISI 304L	4	13.2 kg	0.08 m <sup>3</sup>	20	1	657 mm	500 mm	1826 mm
070101350000F	PI5HF	AISI 304L	5	14 kg	0.09 m <sup>3</sup>	20	1	657 mm	500 mm	2076 mm
070110320000F	IP2HF	AISI 316L	2	10 kg	0.06 m <sup>3</sup>	20	1	657 mm	500 mm	1326 mm
070110330000F	IP3HF	AISI 316L	3	11.8 kg	0.07 m <sup>3</sup>	20	1	657 mm	500 mm	1576 mm
070110340000F	IP4HF	AISI 316L	4	13.2 kg	0.08 m <sup>3</sup>	20	1	657 mm	500 mm	1826 mm
070110350000F	IP5HF	AISI 316L	5	14 kg	0.09 m <sup>3</sup>	20	1	657 mm	500 mm	2076 mm

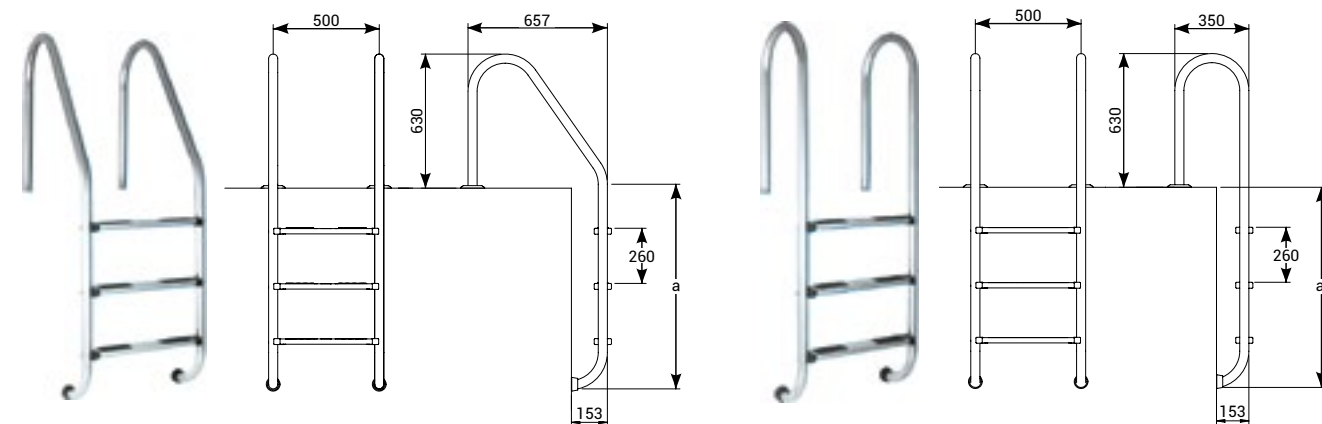
\*\* Minimum order quantity

## Straight Ladders

Made of AISI 316 or AISI 304 stainless steel, D43 mm handrail, shiny polished finishing, includes non-slip pad in all the steps for a safe and comfortable use. Designed according EN 16582-1. Supplied with anchors -one of them with earth connection-, stoppers, screws and trims.

Item	Ref.	Stainless steel	No. steps	Weight	Vol.	qty/pallet	M.O.Q**	DIMENSIONS		
								Depth	Width	Height
070201320000F	MI2HF	AISI 304L	2	10 kg	0.06 m <sup>3</sup>	20	1	350 mm	500 mm	1326 mm
070201330000F	MI3HF	AISI 304L	3	11.8 kg	0.07 m <sup>3</sup>	20	1	350 mm	500 mm	1576 mm
070201340000F	MI4HF	AISI 304L	4	13.2 kg	0.08 m <sup>3</sup>	20	1	350 mm	500 mm	1826 mm
070201350000F	MI5HF	AISI 304L	5	14 kg	0.09 m <sup>3</sup>	20	1	350 mm	500 mm	2076 mm
070210320000F	IM2HF	AISI 316L	2	11 kg	0.06 m <sup>3</sup>	20	1	350 mm	500 mm	1326 mm
070210330000F	IM3HF	AISI 316L	3	11.8 kg	0.07 m <sup>3</sup>	20	1	350 mm	500 mm	1526 mm
070210340000F	IM4HF	AISI 316L	4	13.2 kg	0.08 m <sup>3</sup>	20	1	350 mm	500 mm	1826 mm
070210350000F	IM5HF	AISI 316L	5	14 kg	0.09 m <sup>3</sup>	20	1	350 mm	500 mm	2076 mm

\*\* Minimum order quantity



Standard Ladders - Designed according EN 16582-1

Straight Ladders - Designed according EN 16582-1

# Ladders

## Munich Ladders

Made of AISI 316 stainless steel, D43 mm handrail, shiny polished finishing, includes non-slip pad in all the steps for a safe and comfortable use. Designed according EN 16582-1. Supplied with anchors -one of them with earth connection-, stoppers, screws and trims.

Item	Ref.	Stainless steel	No. steps	Weight	Vol.	qty/pallet	M.O.Q**	DIMENSIONS		
								Depth	Width	Height
070410330000F	IEM3HF	AISI 316L	2 + 1 DOUBLE	13.8 kg	0.14 m <sup>3</sup>	5	1	1000 mm	500 mm	1600 mm
070410340000F	IEM4HF	AISI 316L	3 + 1 DOUBLE	15.8 kg	0.18 m <sup>3</sup>	5	1	1000 mm	500 mm	1850 mm
070410350000F	IEM5HF	AISI 316L	4 + 1 DOUBLE	16.8 kg	0.21 m <sup>3</sup>	5	1	1000 mm	500 mm	2100 mm

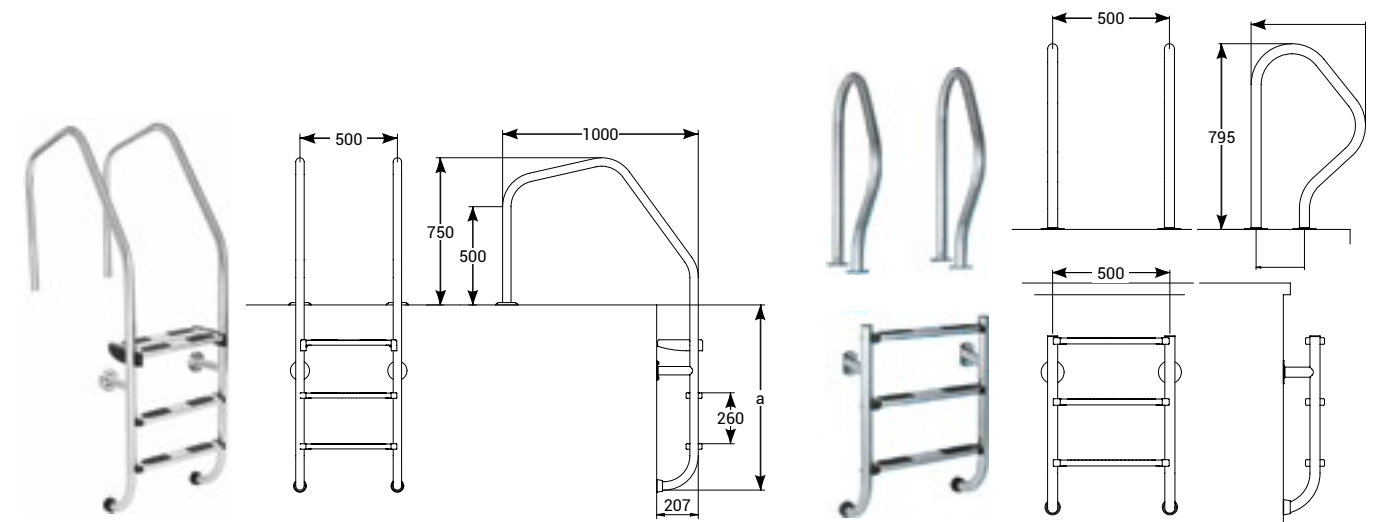
\*\* Minimum order quantity

## Two-Pieces Ladders

Made of AISI 316 stainless steel, D43 mm handrail, shiny polished finishing, includes non-slip pad in all the steps for a safe and comfortable use. Designed according EN 16582-1. Supplied with stoppers, screws, anchors and rubber fleece for the flanges.

Code	Ref.	Description	Stainless steel	No. steps	Weight	Vol.	qty/pallet	M.O.Q**	DIMENSIONS	
									Depth	Width
070510320000F	PD1 HF	Exit Handrail Set	AISI 316	-	7.5 kg	0.072 m <sup>3</sup>	-	1 (1 pair)	480 mm	500 mm
070510330200F	IDP3-STEP	Two-Pieces-part	AISI 316	3	3.5 kg	0.036 m <sup>3</sup>	20	1	170 mm	500 mm
070510340200F	IDP4-STEP	Two-Pieces-part	AISI 316	4	5 kg	0.036 m <sup>3</sup>	20	1	170 mm	500 mm
070510350200F	IDP5-STEP	Two-Pieces-part	AISI 316	5	6.5 kg	0.087 m <sup>3</sup>	20	1	170 mm	500 mm

\*\* Minimum order quantity



Munich Ladders

Two-Pieces Ladders

# Ladders

## Mixed Ladders

Item	Ref.	Stainless steel	No. steps	Weight	Vol.	qty/pallet	M.O.Q**	DIMENSIONS		
								Depth	Width	Height
070301320000F	MXI2HF	AISI 304	2	10 kg	0.06 m <sup>3</sup>	20	1	350 mm	500 mm	1326 mm
070301330000F	MXI3HF	AISI 304	3	11.8 kg	0.07 m <sup>3</sup>	20	1	350 mm	500 mm	1576 mm
070301340000F	MXI4HF	AISI 304	4	13.2 kg	0.08 m <sup>3</sup>	20	1	350 mm	500 mm	1826 mm
070301350000F	MXI5HF	AISI 304	5	14 kg	0.09 m <sup>3</sup>	20	1	350 mm	500 mm	2076 mm
070310330000F	IMX3HF	AISI 316	3	11.8 kg	0.07 m <sup>3</sup>	20	1	350 mm	500 mm	1576 mm
070310340000F	IMX4HF	AISI 316	4	13.2 kg	0.08 m <sup>3</sup>	20	1	350 mm	500 mm	1826 mm
070310350000F	IMX5HF	AISI 316	5	14 kg	0.09 m <sup>3</sup>	20	1	350 mm	500 mm	2076 mm

\*\* Minimum order quantity

## Semi inground pool Ladders

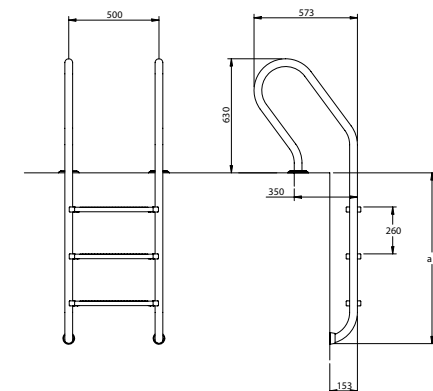
Item	Ref.	Stainless steel	No. steps	Weight	Vol.	qty/pallet	M.O.Q**	DIMENSIONS		
								Depth	Width	Height
070601840000F	ESP4HF	304/ABS	4+1	18.0 kg	0.10 m <sup>3</sup>	-	1	920 mm	483 mm	1900 mm
070601850000F	ESP5HF	304/ABS	5+1	19.0 kg	0.10 m <sup>3</sup>	-	1	1020 mm	483 mm	2130 mm

\*\* Minimum order quantity

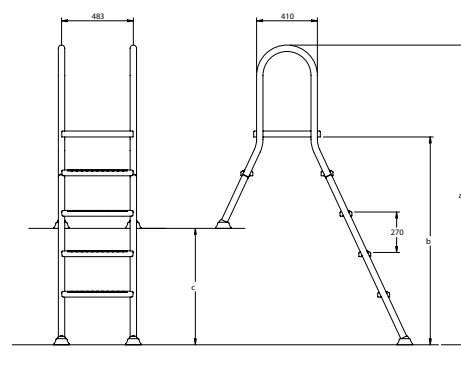
## Above ground pool Ladders

Item	Ref.	Stainless steel	No. steps	Weight	Vol.	qty/pallet	M.O.Q**	DIMENSIONS		
								Depth	Width	Height
070701830000F	EPP3HF	304/ABS	3+3	19 kg	0.10 m <sup>3</sup>	-	1	1155 mm	483 mm	1670 mm
070701840000F	EPP4HF	304/ABS	4+4	21 kg	0.10 m <sup>3</sup>	-	1	1350 mm	483 mm	1900 mm
070701850000F	EPP5HF	304/ABS	5+5	23 kg	0.10 m <sup>3</sup>	-	1	1545 mm	483 mm	2130 mm

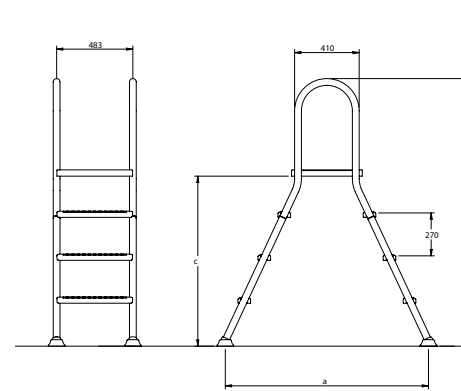
\*\* Minimum order quantity



Mixed Ladders



Semi inground pool Ladders



Above ground pool Ladders

# Ladders

## Easy access Ladders

Item	Ref.	Stainless steel	No. steps	Weight	Vol.	qty/pallet	M.O.Q**	DIMENSIONS		
								Depth	Width	Height
070810230000	EAF 3	AISI 316	3	16 kg	0.19 m <sup>3</sup>	-	1	1000 mm	500 mm	1472 mm
070810240000	EAF 4	AISI 316	4	17 kg	0.24 m <sup>3</sup>	-	1	1000 mm	500 mm	1692 mm

\*\* Minimum order quantity

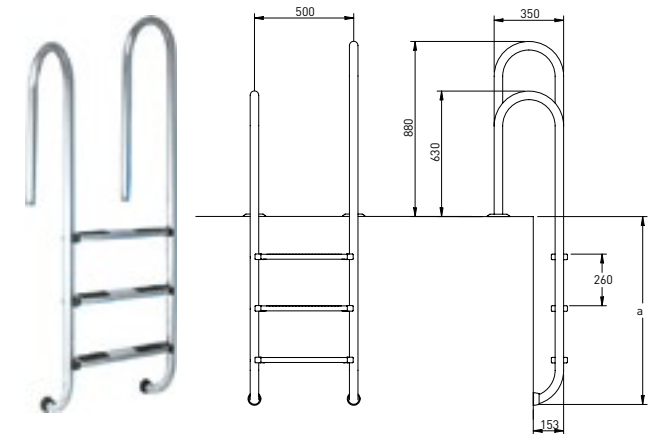
## Asymmetric Muro Ladders

Item	Ref.	Stainless steel	No. steps	Weight	Vol.	qty/pallet	M.O.Q**	DIMENSIONS		
								Depth	Width	Height
070202330000F	MAI3HF	AISI 304	3	11 kg	0.067 m <sup>3</sup>	20	1	346 mm	500 mm	1830 mm
070202340000F	MAI4HF	AISI 304	4	13 kg	0.076 m <sup>3</sup>	20	1	346 mm	500 mm	2080 mm
070202350000F	MAI5HF	AISI 304	5	15 kg	0.089 m <sup>3</sup>	20	1	346 mm	500 mm	2330 mm

\*\* Minimum order quantity



Easy access Ladders



Asymmetric Muro Ladders

# Accessories for ladders

Our design philosophy is always focused on user safety: all our ladders are approved for connection to an equipotential network, whether through the anchor or through the flange, and our built-in ladders can be equipped with a double safety step to avoid accidents on the rungs. Of course, all our steps have a non-slip surface as standard.

## Exit grab rails for two-part Ladders

Item	Ref.	Stainless steel	Units	Weight	Vol.	Tubing Ø	M.O.Q**
070510320000F	PD 1 HF	AISI 316	2	7.5 kg	0.072 m <sup>3</sup>	43 mm	1

\*\* Minimum order quantity

## Universal anchors with flanges

Item	Ref.	Stainless steel	Type of anchor	Units	Height	Weight	Vol.	Tubing Ø	M.O.Q**
071501103040F	AB1HF	AISI 304	Fixed	1	150 mm	0.5 kg	0.015 m <sup>3</sup>	40 mm	1
071501203160F	AB2HF	AISI 304	Folding	1	150 mm	0.7 kg	0.015 m <sup>3</sup>	40 mm	1

\*\* Minimum order quantity

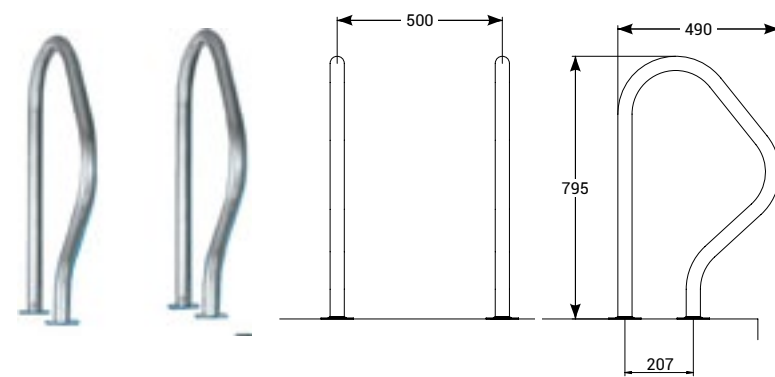
Compatible with the STANDARD, STRAIGHT, ASYMMETRIC and MIXED ranges. Screws, washers, rawlplugs and elastic joints included.

## Safety step

Item	Ref.	Stainless steel	Weight	M.O.Q**
071502316000F	RES017F	AISI 316	9.5 kg	1

\*\* Minimum order quantity

The safety step is made up of a pair of non-slip surfaces. Use of this type of step is recommended to avoid slips and entrapments between the ladder and the wall when getting into or out of the pool. All our ladder models are compatible with inclusion of this step. It can also be added to ladders that are already installed. Complies with European standards EN-13451-1 and EN-13451-2.



Exit grab rails for two-part Ladders



Universal anchors with flanges

**AB 1**  
Allows the ladder to be removed manually without the use of tools.  
**AB 2**  
This allows the ladder to be pivoted upwards, without removing it completely, to free up the pool basin for all kinds of other operations.

# Handrails

## Stainless steel grab rails

- Made of bright polished AISI 316 stainless steel
- Attachment with flanges and screws, or built-in
- Models with flanges are supplied with joints, rawlplugs and screws



Code	Ref.	Stainless steel	Length A	Height B	Tubing Ø	Attachment	Weight	Vol.	M.O.Q**
073510101000F	AS101HF	AISI 316	1000 mm	120 mm	43 mm	Screws	4.2 kg	0.039 m <sup>3</sup>	1
073510201000F	AS201HF	AISI 316	2000 mm	120 mm	43 mm	Screws	7.9 kg	0.088 m <sup>3</sup>	1

\*\* Minimum order quantity

## Stainless steel handrails

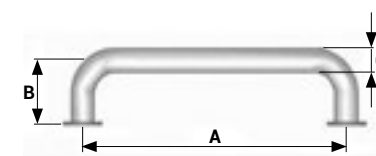
- Made of bright polished AISI 304 stainless steel
- Attachment with flanges and screws, or built-in
- Models with flanges are supplied with joints, rawlplugs and screws



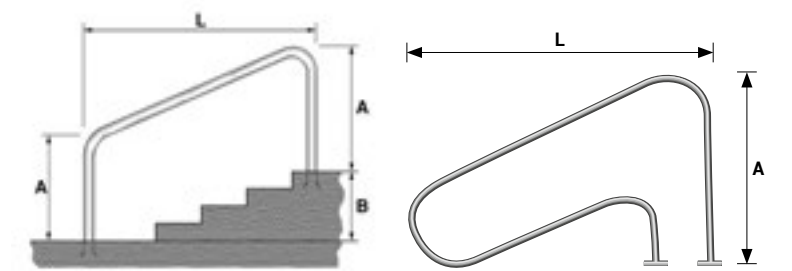
Code	Ref.	Stainless steel	Length A	Height B	Tubing Ø	Attachment	Weight	Vol.	M.O.Q**
073601120001F	BP1201	AISI 304	1220 mm	800 mm	43 mm	Screws	8.2 kg	0.136 m <sup>3</sup>	1
073601150001F	BP1501	AISI 304	1524 mm	800 mm	43 mm	Screws	9.1 kg	0.159 m <sup>3</sup>	1
073610123501F	BPFE 1201	AISI 316	1235 mm	772 mm	43 mm	Screws	8 kg	-	1

\*\* Minimum order quantity

The BPFE handrail models are supplied with an anchor featuring a connector to an equipotential network.



Stainless steel grab rails



Stainless steel handrails