

6 - TERMS OF THE WARRANTY :

As the original purchaser of this equipment has purchased from Emaux Water Technology Co Ltd, through Authorized International Distributor or Dealer, warrants its products free from defects in materials and workmanship under normal use during the warranty period. The warranty period begins on the day of purchase and extends only to the original purchaser. It is not transferable to anyone who subsequently purchases the product from you. It excludes all expendable parts.

During the warranty period, Emaux authorized reseller will repair or replace defective parts with new parts or, at the option of Emaux, serviceable used parts that are equivalent or superior to new parts in performance.

This Limited Warranty extends only to products purchased from Emaux authorized resellers. This Limited Warranty does not extend to any product that has been damaged or rendered defective.

- (a) as a result of an accident, misuse, or abuse;
- (b) as a result of an act of God;
- (c) by operation outside the usage parameters stated herein;
- (d) by the use of parts not manufactured or sold by Emaux;
- (e) by modification of the product;
- (f) as a result of war or terrorist attack; or
- (g) as a result of service by anyone other than Emaux authorized reseller or authorized agent.

EXCEPT AS EXPRESSLY OUTLINED IN THIS WARRANTY, EMAUX MAKES NO OTHER WARRANTIES EXPRESSED OR IMPLIED, INCLUDING ANY IMPLIED WARRANTIES OF MERCHANTABILITY AND FITNESS FOR A PARTICULAR PURPOSE. EMAUX EXPRESSLY DISCLAIMS ALL WARRANTIES NOT STATED IN THIS LIMITED WARRANTY. ANY IMPLIED WARRANTIES THAT MAY BE IMPOSED BY LAW ARE LIMITED TO THE TERMS OF THIS EXPRESS LIMITED WARRANTY.



15L STANDARD SKIMMER WITH SQUARE COVER

MANUAL INSTALLATION

MODELS :

EM0130 SC
EM0130 SV
EM0140 SC
EM0140 SV

Models EM0130 SC EM0130 SV EM0140 SC EM0140 SV
 Codes 91600315 91600316 91601013 91601014

IMPORTANT : This instruction manual includes essential information on the safety measures to be implemented for installation and start-up. Therefore the installer as well as the user must read the instructions before starting installation and start-up .
Keep this manual for future reference

1 .-15L STANDARD SKIMMER :

Skimmers are used to eliminate the dirtiness suspended on the surface of the pool .For this reason ,when building the pool it is recommended to install the skimmers so that their mouths facing the prevailing winds .

2 .-MODELS AVAILABLE :

	Concrete pool	Vinyl pool
Standard Skimmer	EM0130 SC	EM0130 SV
Wide Mouth Skimmer	EM0140 SC	EM0140 SV



EM0130 SC



EM0130 SV



EM0140 SC



EM0140 SV

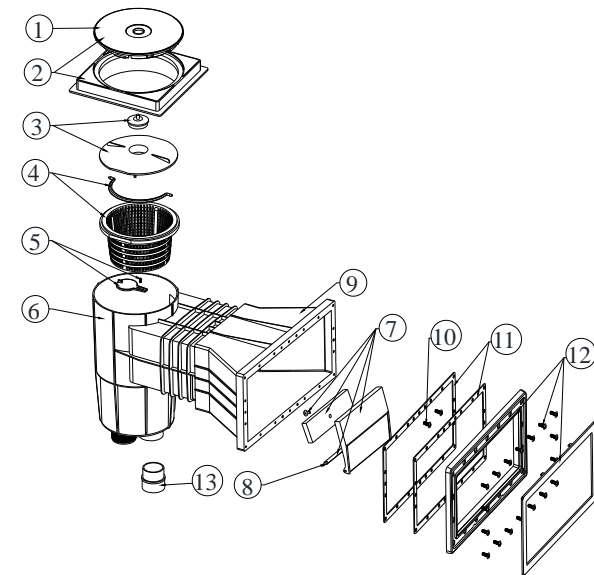
2 .-INSTALLATION :

Emaux Water Technology Co .Ltd .recommends to install 1 skimmer per 25 m² of pool water surface are knowing that the skimmer maximum flow rate should not exceed 5 m³ h .

Normally ,in residential pools ,the skimmers are installed along the width of the pool ,and in the deepest site For pools when more than 3 skimmers are required they can be installed along the length of the pool .However ,in both cases ,skimmer must be positions always in the opposite site of the wall return inlets .

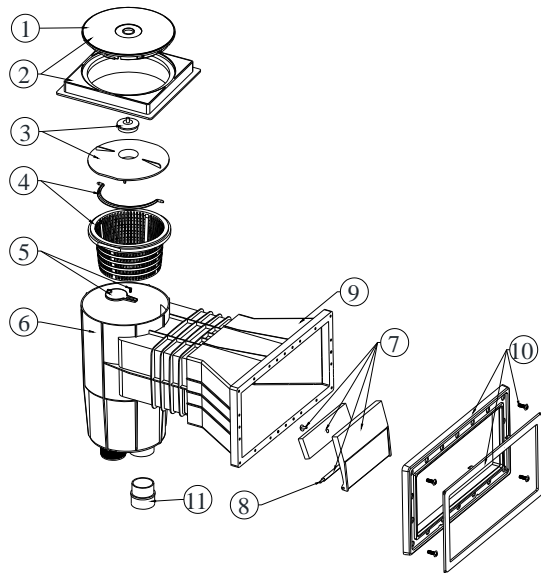
The installation must proceed following the fig 1 and fig 2 ,depending on the type of skimmer chosen for Concrete pools or Vinyl or Liner pools .

POS .	CODE	PRODUCT DESCRIPTION
1	01050158	Skimmer Lid
2	89150701	Square Rim
3	89150702	Vacuum plate with Plug
4	89150703	Skimmer basket
5	89150704	Regulating plug
6	01050167	Skimmer body
7	89150713	Skimmer flap
8	01181077	Hinge flap
9	01050171	Extension throat
10	03012105	Screws
11	02021106	Skimmer gaskets for Liner .
12	89150707	Skimmer frame
13	01170009	1.5" conversion Connector



EM0140-SV

POS .	CODE	PRODUCT DESCRIPTION
1	01050158	Skimmer Lid
2	89150701	Square Rim
3	89150702	Vacuum plate with Plug
4	89150703	Skimmer basket
5	89150704	Regulating plug
6	01050167	skimmer booy
7	89150713	Skimmer flap
8	01181077	Hinge flap
9	01050171	Extension throat
10	89150706	Skimmer frame for liner
11	01170009	1.5" conversion Connector



EM0140-SC

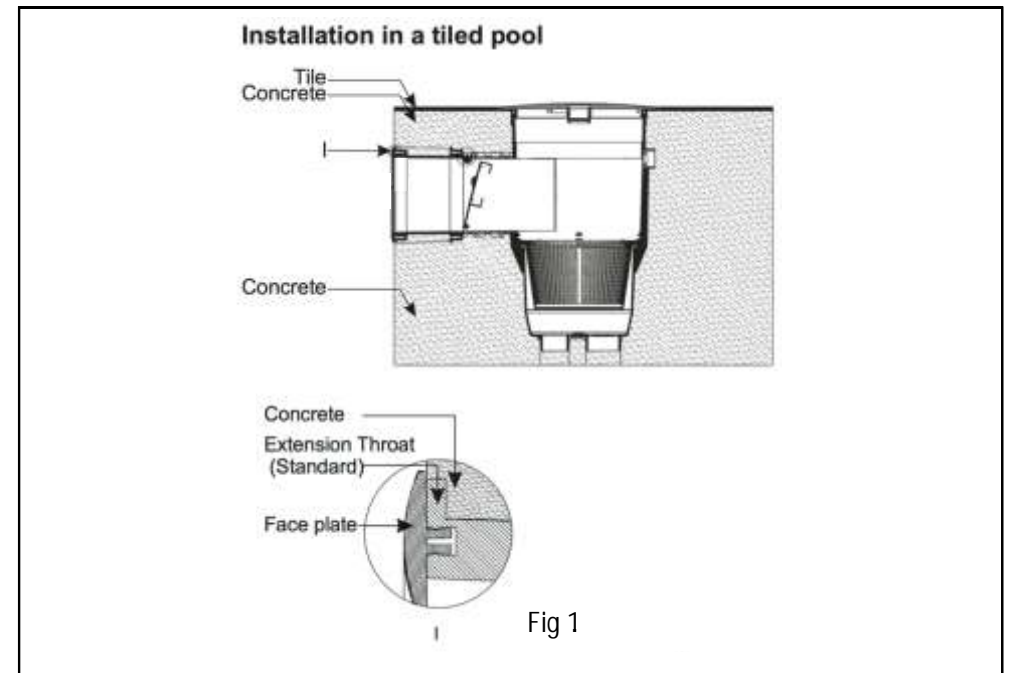


Fig 1

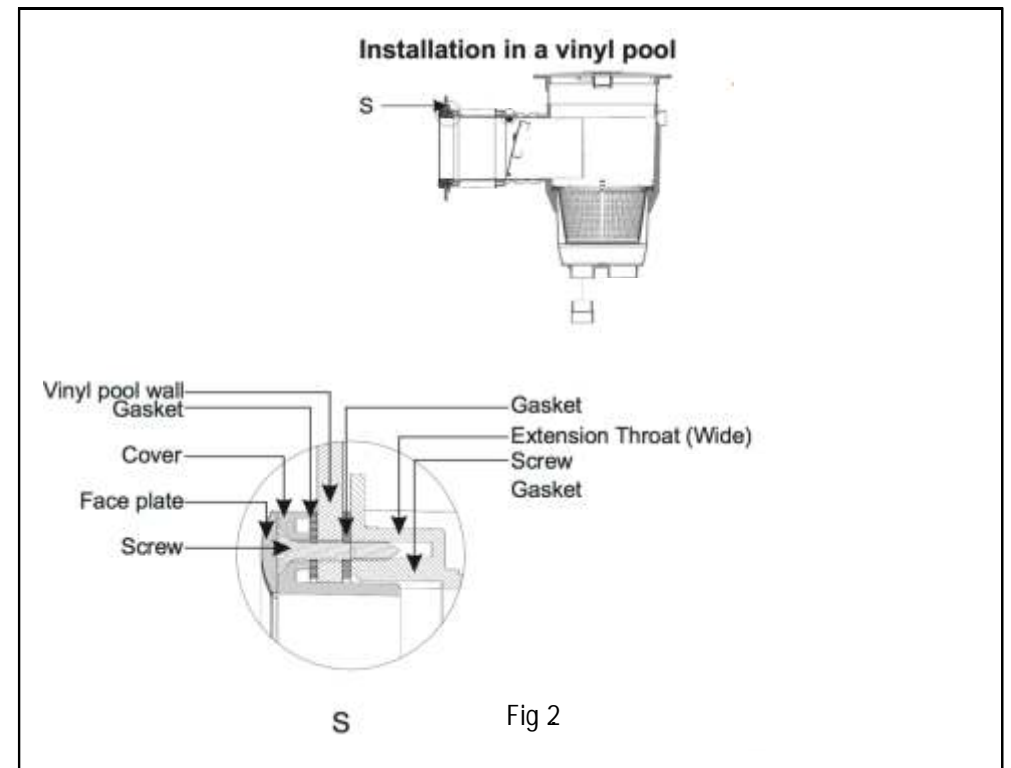


Fig 2

Ensure that the pool water level is constant and $\frac{3}{4}$ parts of the skimmer is submerged in the water . This avoids air suction into the circuit that can damage the filtration pump .

The cover and the basket from the skimmer are assembled with a bayonet system ,so do not pull brusquely upwards ,but first turn until the two sides of the cover or basket match with the body and then pull upwards .

3 .-VACUUM SUCTION CONNECTION :

Skimmers can also be used for vacuum cleaning equipment thanks to the vacuum plate provided .

The vacuum plate is placed on the basket of the skimmer ,and connect the vacuum hose of the pool cleaner with the hole of the vacuum plate (Fig 3).

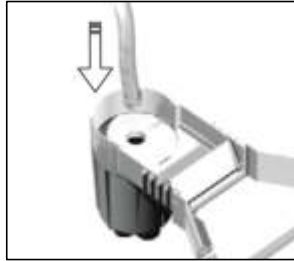


Fig 3

In order to obtain the maximum vacuum efficiency when using the pool cleaner connected to the skimmer ensure that the main drain valve is close .If more skimmers are installed in the pool , they should be closed off using the flow plug provided .

4 .-SAFETY WARNINGS :

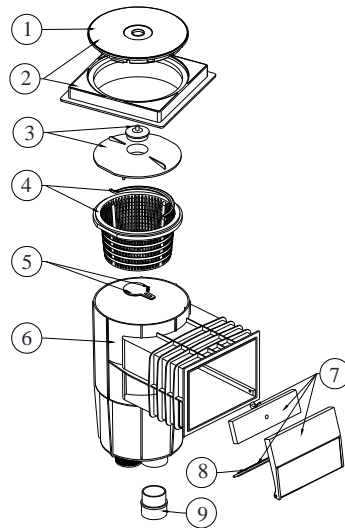
The skimmer should be installed by a specialist technician .

Do not place chlorine or bromide tablets in the skimmer basket .

It is recommended to use products specifically designed to work with ABS .

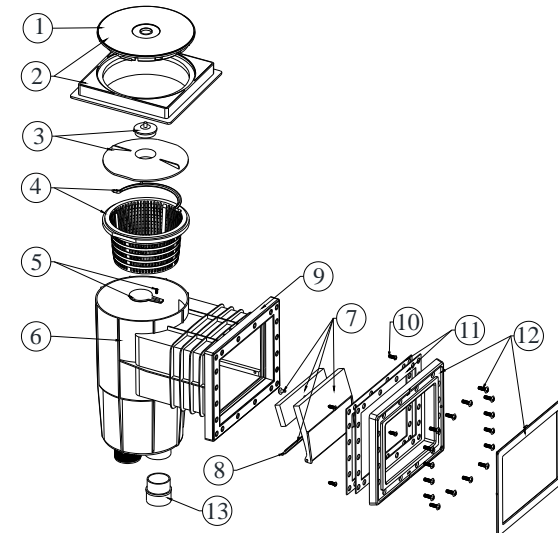
5 .-SPARE PARTS LIST :

POS	CODE	PRODUCT DESCRIPTION
1	01050158	Skimmer Lid
2	89150701	Square Rim
3	89150702	Vacuum plate with Plug
4	89150703	Skimmer basket
5	89150704	Regulating plug
6	01050167	Skimmer body
7	89150713	Skimmer flap
8	01181077	Hinge flap
9	01170009	1.5" conversion Connector



EM0130-SC

POS .	CODE	PRODUCT DESCRIPTION
1	01050158	Skimmer Lid
2	89150701	Square Rim
3	89150702	Vacuum plate with Plug
4	89150703	Skimmer basket
5	89150704	Regulating plug
6	01050167	Skimmer body
7	89150713	Skimmer flap
8	01181077	Hinge flap
9	01050168	Adaptor frame
10	03012105	Screws
11	02021105	Skimmer gaskets for Liner .
12	89150705	Skimmer frame
13	01170009	1.5" conversion Connector



EM0130-SV