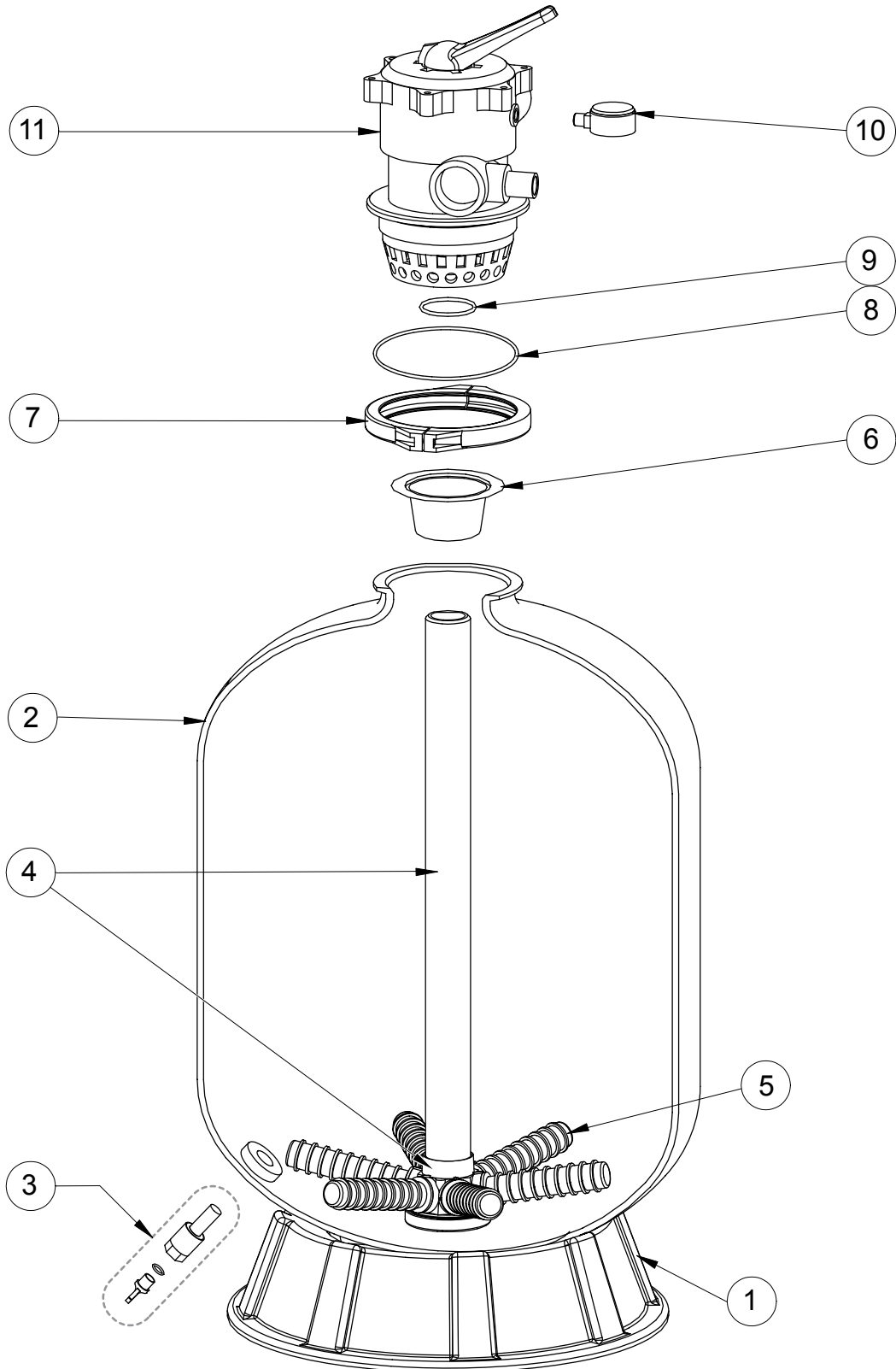


AZUR™ TOP MOUNT



AZUR™ TOP MOUNT

Replacement Parts

No.	Part No.	Description	Part No.	Includes
1	RBASEUNI1	Base 19" - 22" - 26"		1
2	R1518A0B	Replacement Shell 15"		1
	R1925A0B	Replacement Shell 19"		1
	R2230A0B	Replacement Shell 22"		1
	R2636A0B	Replacement Shell 26"		1
3	G-15-4607	Drain Kit		1
4	G-PVC-5018/3	Stand Pipe Kit 15" (Incl. Hub)		1
	G-PVC-5018/4	Stand Pipe Kit 19" (Incl. Hub)		1
	G-PVC-5018/5	Stand Pipe Kit 22" (Incl. Hub)		1
	G-PVC-5018/6	Stand Pipe Kit 26" (Incl. Hub)		1
5	R301904	Lateral 15" & 19"		1*
	R302404	Lateral 22" & 26"		1*
6	R155051	Sand Guide		1
7	R272025	Clamp		1
8	R281008	O-Ring		1
9	R281018	O-Ring		1
10	R152047	Manometer - Pressure Gauge (bottom connection)		1
11**	RE272030	Valve 1 1/2" 4-Way (for 15")		1
	RE272026ND	Valve 1 1/2" 6-Way (for 19", 22" & 26")		1

* ONE FILTER REQUIRES 6 PIECES

** SEE VALVE SHEET FOR VALVE SPARE PARTS

AUTOMATION

FILTERS

FILTER SYSTEMS

PUMPS

HEAT PUMPS

CLEANERS

WATER FEATURES

LIGHTS

SALT CHLORINATORS

DOSING & MEASURING

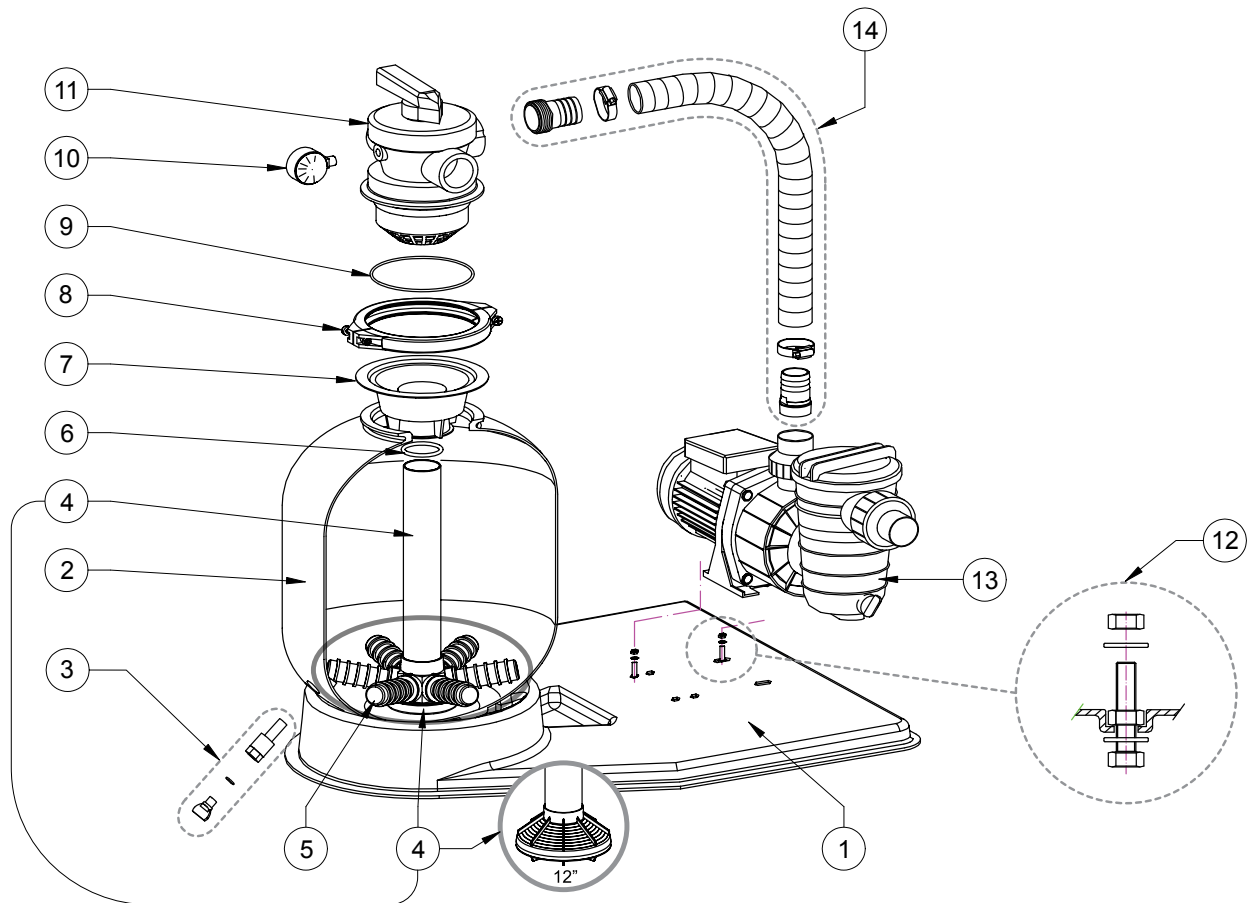
SANITIZERS

WHITE GOODS

MAINTENANCE ACCESSORIES

OTHER

AZUR™ FILTRATION SYSTEM



AZUR™ FILTRATION SYSTEM

Replacement Parts

No.	Part No.	Description	Part No. Includes
1	R155194	Base Plate 12"	1
	R155195	Base Plate 15" - 19" - 22" with Swimmey pump	1
	R155196	Base Plate 15" - 19" - 22" with FreeFlo pump	1
2	R1217A0B	Replacement Shell Azur 12"	1
	R1518A0B	Replacement Shell Azur 15"	1
	R1925A0B	Replacement Shell Azur 19"	1
	R2230A0B	Replacement Shell Azur 22"	1
3	G-15-4607	Drain Kit	1
4	RKHP330	Stand Pipe Kit (incl. distributor) 12"	1
	G-PVC-5018/3	Stand Pipe Kit (incl. Hub) 15"	1
	G-PVC-5018/4	Stand Pipe Kit (incl. Hub) 19"	1
	G-PVC-5018/5	Stand Pipe Kit (incl. Hub) 22"	1
5	R301904	Lateral 15" & 19"	1*
	R302404	Lateral 22"	1*
6	R281018	O-Ring	1
7	R155051	Sand Guide	1
8	R272025	Clamp	1
9	R281008	O-Ring	1
10	R152047	Manometer - Pressure Gauge (bottom connection)	1
11**	RE272030	Valve 1 1/2" 4-Way (for 12" & 15")	1
	RE272026ND	Valve 1 1/2" 6-Way (for 12", 15", 19" & 22")	1
12	RAMKITSW	Hardware Kit	1
13***	P7242380	Pump SWIMMEY™ 0,18KW Mono Phase (SW8)	1
	P7242390	Pump SWIMMEY™ 0,25KW Mono Phase (SW10)	1
	P7242160	Pump SWIMMEY™ 0,37KW Mono Phase (SW12)	1
	P7242170	Pump SWIMMEY™ 0,55KW Mono Phase (SW15)	1
	P7242180	Pump SWIMMEY™ 0,75KW Mono Phase (SW19)	1
13****	FFL-031	Pump FREEFLO™ 0,25KW Mono Phase	1
	FFL-051	Pump FREEFLO™ 0,37KW Mono Phase	1
	FFL-071	Pump FREEFLO™ 0,55KW Mono Phase	1
	FFL-101	Pump FREEFLO™ 0,75KW Mono Phase	1
14	RCON1	Pump to Filter Connection Kit 12"	1
	RCON2	Pump to Filter Connection Kit 15"	1
	RCON3	Pump to Filter Connection Kit 19"	1
	RCON4	Pump to Filter Connection Kit 22"	1

* ONE FILTER REQUIRES 6 PIECES

** SEE VALVE SHEET FOR VALVE SPARE PARTS

*** SEE SWIMMEY SHEET FOR PUMP SPARE PARTS

**** SEE FREEFLO SHEET FOR PUMP SPARE PARTS

AUTOMATION

FILTERS

FILTER SYSTEMS

PUMPS

HEAT PUMPS

CLEANERS

WATER FEATURES

LIGHTS

SALT CHLORINATORS

DOSING & MEASURING

SANITIZERS

WHITE GOODS

MAINTENANCE ACCESSORIES

OTHER

VALVES

SIDE MOUNT

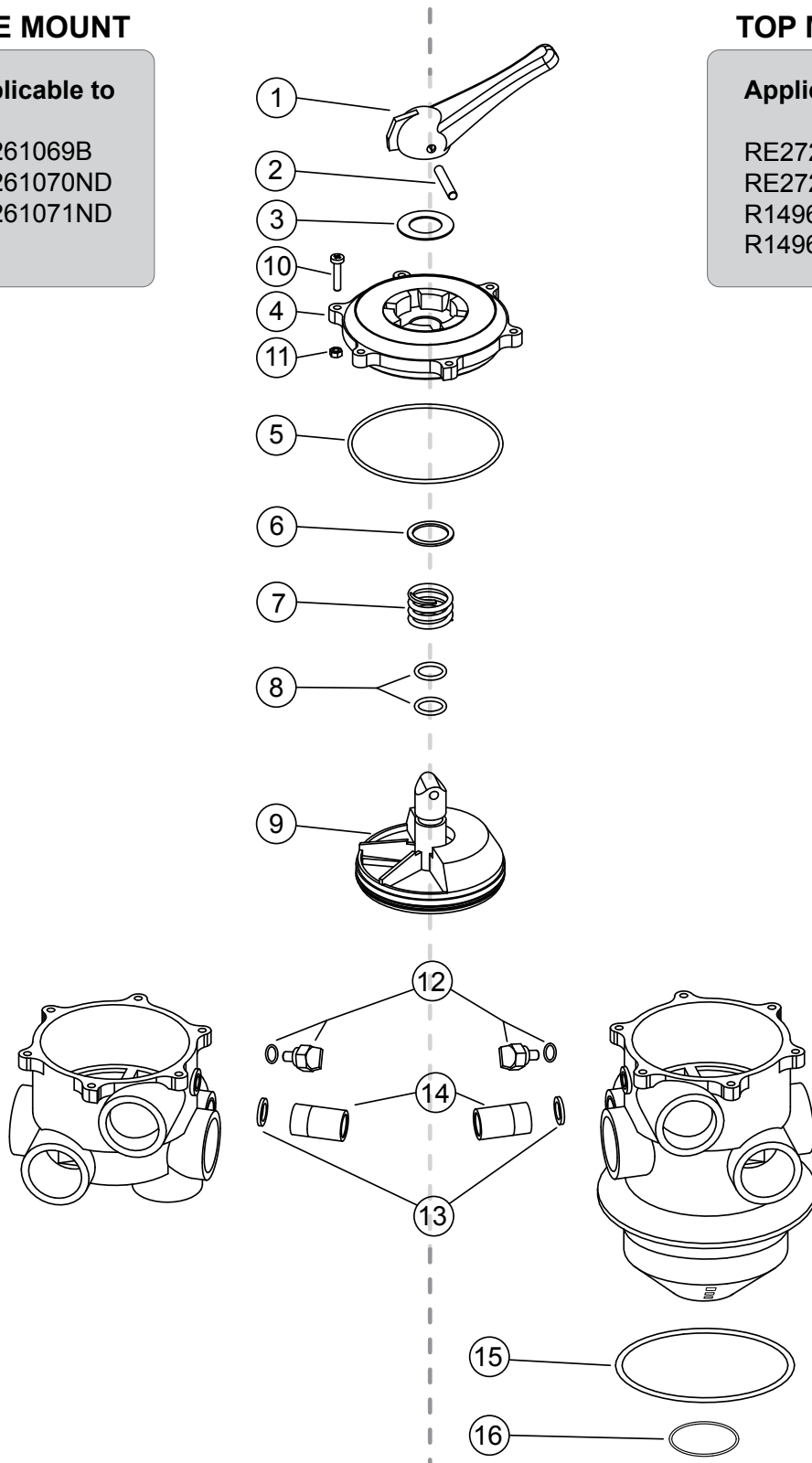
Applicable to

RE261069B
RE261070ND
RE261071ND

TOP MOUNT

Applicable to

RE272026ND
RE272029ND
R14965TM10
R14965TM20



VALVES

Replacement Parts

No.	Part No.	Description	Part No. Includes
1	RGA10E01	Valve Handle	1
2	RGA10E02	Pin Handle Valve	1
3	RGA10E03	Ring Handle Valve	1
4	RGB10E06	Cover 1 1/2" Valve - OLD STYLE	1
	RGE20E06	Cover 2" Valve - OLD STYLE	1
	RGB10E06ND	Cover 1 1/2" Valve - NEW STYLE	1
	RGE20E06ND	Cover 2" Valve - NEW STYLE	1
5	RGB10E07	Cover O-ring 1 1/2" Valve	1
	RGC20E07	Cover O-ring 2" Valve	1
6	RGA10E08	Washer Valve	1
7	RGA10E09	Spring Valve	1
8	RGA10E10	Axle O-Ring Valve	2
9	RGB10E13	Rotor 1 1/2" Valve - 'molded in' star gasket	1
	RGC20E13	Rotor 2" Valve - 'molded in' star gasket	1
10	RGA10E04	Screw Valve	6
11	RGA10E14	Nut Valve	6
12	RGA10E17	Gauge Nut with O-Ring	1
13	RGD20E15	O-Ring Sight Glass	1
14	RGD20E16	Sight Glass	1
15	R281008	O-Ring 1 1/2" Valve	1
	R250001	O-Ring 2" Valve	1
16	R281018	O-Ring 1 1/2" Valve	1
	R281009	O-Ring 2" Valve	1
Not Shown			
	RGB10E12	Star Gasket 1 1/2" Valve - Applicable to valves prior to 2007	1
	RGC20E12	Star Gasket 2" Valve - Applicable to valves prior to 2007	1
	R152046	Manometer - Pressure Gauge (back connection)	1
	R152047	Manometer - Pressure Gauge (bottom connection)	1
Assemblies			
	G-COV15-SM	Cover Assembly 1 1/2" Valve (Incl. Partn° 1 to 11) - OLD STYLE	1
	G-COV20-SM	Cover Assembly 2" Valve (Incl. Partn° 1 to 11) - OLD STYLE	1
	G-COV15-SMND	Cover Assembly 1 1/2" Valve (Incl. Partn° 1 to 11) - NEW STYLE	1
	G-COV20-SMND	Cover Assembly 2" Valve (Incl. Partn° 1 to 11) - NEW STYLE	1

Applicable to all valves, except Sta-Rite Valve R14965-TMKH

AUTOMATION

FILTERS

FILTER SYSTEMS

PUMPS

HEAT PUMPS

CLEANERS

WATER FEATURES

LIGHTS

SALT CHLORINATORS

DOSING & MEASURING

SANITIZERS

WHITE GOODS

MAINTENANCE ACCESSORIES

OTHER