

Instruction manual



M Y S P A

CE UK
CA



Instruction manuals

Instruction manual

Thank you for choosing this instrument from MYSPA.

Before you use this product


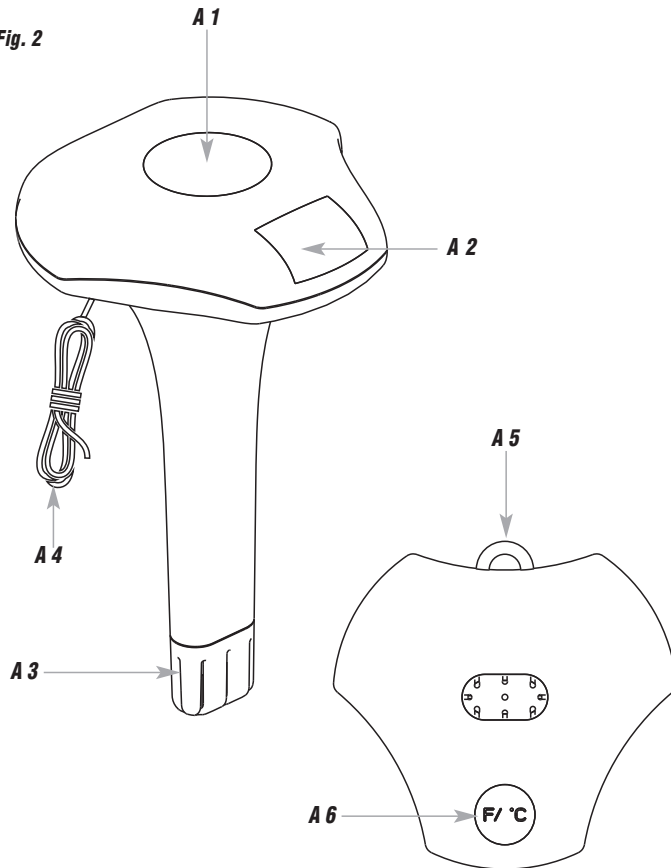
-  **Please make sure you read the instruction manual carefully.**
- This product should only be used as described within these instructions.
- Following and respecting the instructions in your manual will prevent damage to your instrument and loss of your statutory rights arising from defects due to in-correct use.
- **Please take particular note of the safety advice!**
- **Please keep this instruction manual safe for future reference.**

Fig. 2



Digital solar pool thermometer

1. Delivery contents

- Solar pool thermometer
- Fastening rope (about 1 m)
- Instruction manual

2. Range of application and all the benefits of your new instrument at a glance

- Solar powered
- Easy reading of the water temperature
- Measuring depth about 165 mm
- Floats on water
- With fastening rope

3. For your safety

- This product is exclusively intended for the range of application described above. It should only be used as described within these instructions.
- Unauthorised opening, repairs, alterations or changes to the product are prohibited.



Caution!
Risk of injury!

- The battery cannot and must not be replaced or removed by you. There is a risk of explosion if the battery is replaced incorrectly. If necessary, a qualified person can obtain instructions on how to dismantle the permanently installed battery, should this be necessary for the purpose of repairing or recycling the product. Protect the battery from high temperatures. Do not throw into fire, short-circuit or take apart.



Important information on product safety!

- **Caution:** The solar panel is fragile. Do not drop the device.
- Do not expose the device to extreme temperatures, vibrations or shocks.

4. Elements

- A 1:** Solar panel
- A 2:** LCD temperature display
- A 3:** Sensor
- A 4:** Fastening rope
- A 5:** Eyelet for fastening rope
- A 6:** °F/°C button

Digital solar pool thermometer

5. Getting started

- The pool thermometer is solar powered. Please consider when choosing a location that the solar panel needs enough light per day to guarantee a long-term sufficient power supply.
- Remove the protective films from the display and the solar panel.
- Press the **°F/°C** button. The device is now ready for use. The display shows the temperature.
- Press the **°F/°C** button to select the temperature display in °C (Celsius) or °F (Fahrenheit) as the temperature unit.
- Place the pool thermometer in the water. The thermometer can be secured to the pool or pond side with the supplied fastening line.

6. Care and maintenance

- For a very good function keep the solar panel always clean. Clean the solar panel with a soft cloth and maybe a little glass- or display cleaner. Do not use solvents or scouring agents.
- When water freezes remove the thermometer.
- Please switch off the device (press and hold the **°F/°C** button for 3 seconds) if not using it for a long time.

7. Troubleshooting

Problem	Solution
No display on the device	→ Press the °F/°C button → Charge the device in the sun with the solar panel facing upwards

If your device fails to work despite these measures, please contact the retailer where you purchased the product from for advice.

8. Waste disposal

This product and its packaging have been manufactured using high-grade materials and components which can be recycled and reused. This reduces waste and protects the environment.

Dispose of the packaging in an environmentally friendly manner using the collection systems that have been set up.



Disposal of the electrical device

Caution! This device contains a built-in battery that cannot be removed without damaging the housing. Improper removal represents a safety risk. Hand in the device unopened at the collection point; the device and battery will be disposed of properly.

Digital solar pool thermometer

This product is labelled in accordance with the EU Waste Electrical and Electronic Equipment Directive (WEEE). This product must not be disposed of in ordinary household waste. As a consumer, you are required to take end-of-life devices to a designated collection point for the disposal of electrical and electronic equipment, in order to ensure environmentally-compatible disposal. The return service is free of charge. Observe the current regulations in place!

9. Specifications

Power consumption:	Built-in NiMH rechargeable battery
Capacity / Energy	300 mAh
Charging power source	Solar powered
Measuring range Temperature	-20 °C... +50°C (-4°F...122°F)
Temperature accuracy	±1 °C (2 °F) from 0 °C...50 °C, otherwise ±2 °C (4 °F)
Measuring interval	60 seconds
Protection class	IPX8 waterproof
Housing dimension	120 x 115 x 194 mm
Weight	200 g (device only)