

HEAT EXCHANGER ANALOGUE HEATING CONTROLLER

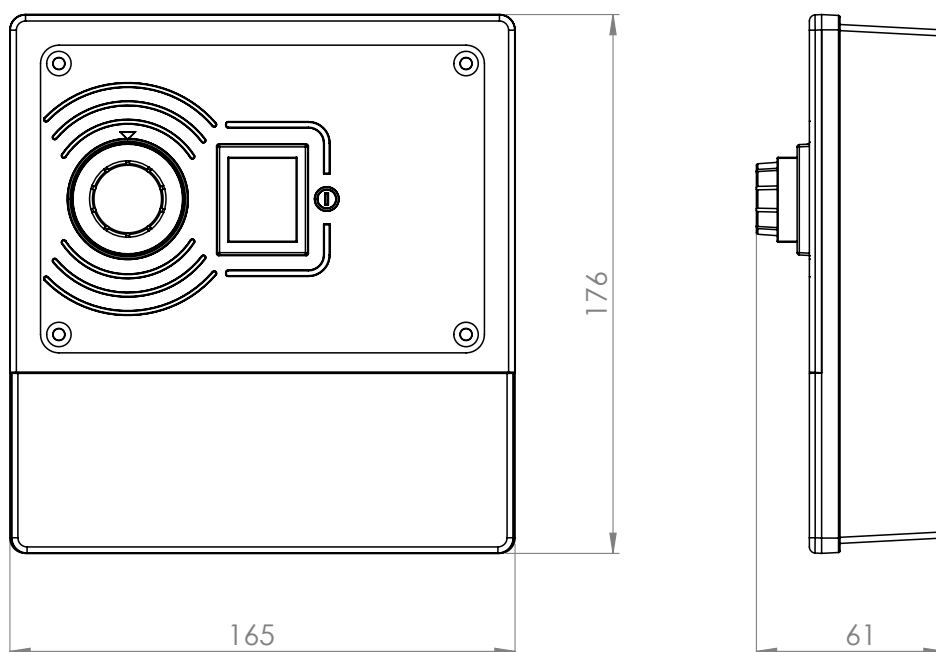
Analogue controller for heat exchanger, comes with
flow switch and as an option with booster pump.



FEATURES

- Easy to install
- Range of controlled temperatures up to 45°C
- Accurate control to 1.2°C
- Auxiliary relay for booster circulation pump and heat output
- Flow sensor ports

TECHNICAL DRAWINGS



IDEAL CONTROLLER FOR VULCAN HEAT EXCHANGER



SPECIFICATIONS

POWER SUPPLY	Single phase 220-240V
AVAILABLE MODELS	Heating only
CONTROL THERMOSTAT	Analogue: 0 > 45°C (1.2°C differential)
TEMPERATURE SENSOR	Capillary thermostat
FLOW SWITCH	Gold tipped reed switch with titanium fulcrum pin
INTERNATIONAL PROTECTION MARKING	IP44
FREQUENCY	50/60 Hz
MOUNTING	Wall mounting

MODELS

PRODUCT CODES	DESCRIPTION	OUTPUTS	ACCESSORIES	NET WEIGHT	GROSS WEIGHT	VOLUME
				kg	kg	m ³
G2-HE-ANA	Analogue Heat Exchanger Controller	Volt free heating output and 220~240V booster pump output	1m long flow switch and 0.5m capillary temperature sensor	2.8000	3.4000	0.0160
G2-HE-ANA-GP	Analogue Heat Exchanger Controller with Grundfos Booster Pump	Volt free heating output and 220~240V booster pump output	1m long flow switch, 0.5m capillary temperature sensor and 1" BSP female/ female brass adapter	0.8900	1.4000	0.0214