

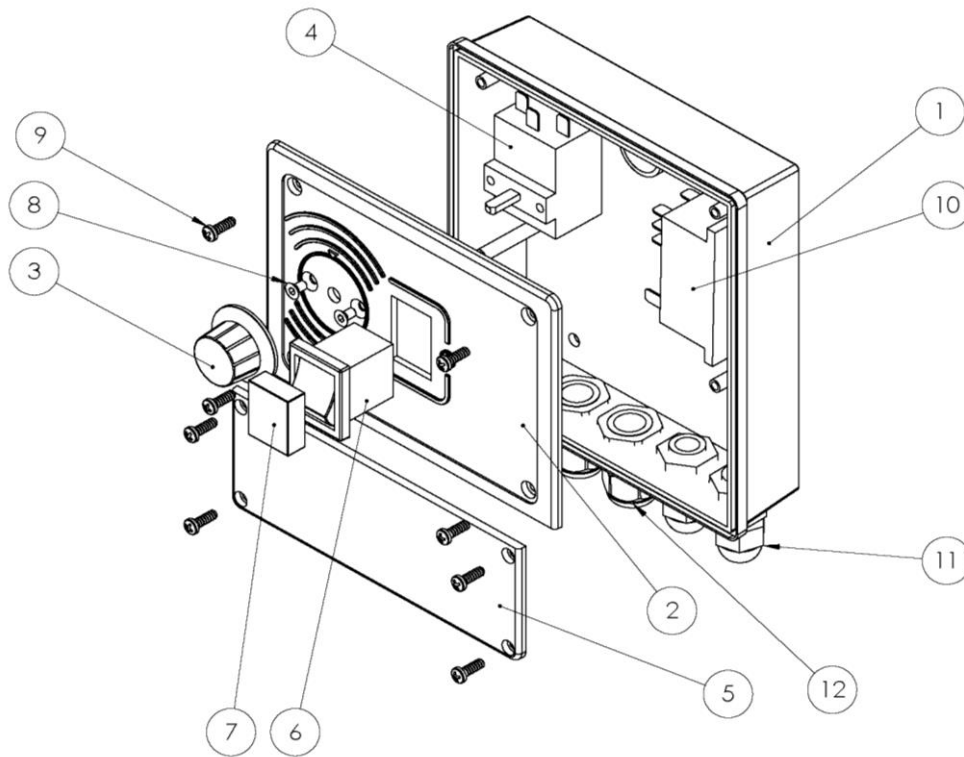
# Heat Exchanger Analogue Controller

## SPARE PART LISTS



**ELECR0**  
ENGINEERING

## Heat Exchanger Analogue Controller



Item No.:	Description:	Pcs/Unit:	Part Number:	GBP RRP (£)	EUR RRP (€)	USD RRP (\$)
1	Equipped Heat Exchanger Enclosure (Processed)	1	Z-IM-PS-ENC	18.95	21.79	26.53
2	Analogue Equipped H/E Front Cover	1	Z-IM-PS-ANA	16.75	19.26	23.45
3	Control Thermostat Dial 0>45C	1	Z-MIS-CS-45-DIAL	3.80	4.37	5.32
4	EGO Analogue Control Stat 0>45C	1	SP-MIS-CS	45.15	51.92	63.21
5	Pool/Pond Smart & Equipped H/E Access Cover	1	Z-IM-PS-AC	10.80	12.42	15.12
6	Red Illuminated Double For Rocker Switch	1	Z-MIS-ROCK-SW	15.70	18.06	21.98
7	Protective Cover For Rocker Switch	1	Z-MIS-ROCK-PC	5.95	6.84	8.33
8	M4 x 6-mm S/S CSK Socket	1	Z-FIX-M4X6CS	1.60	1.84	2.24
9	M4 x 14-mm S/S Pozipan Screw	1	Z-FIX-M4X14	1.60	1.84	2.24
10	Finder 30-Amp DPDT 230V Coil Relay	1	SP-109	28.40	32.66	39.76
11	PG9 Entry Gland With Nut	2	Z-CON-CEG-PG9BK	8.10	9.32	11.34
12	PG11 Entry Gland With Nut	3	Z-CON-CEG-PG11BLK+ Z-CON-CEG-PG11NUT	14.05	16.16	19.67