

QUANTUM

Quantum uses new ceramic Nano Crystal technology, a prime focus of the science world today; possessing the power to sterilise sewage into drinking water without the use of chemicals.



FEATURES

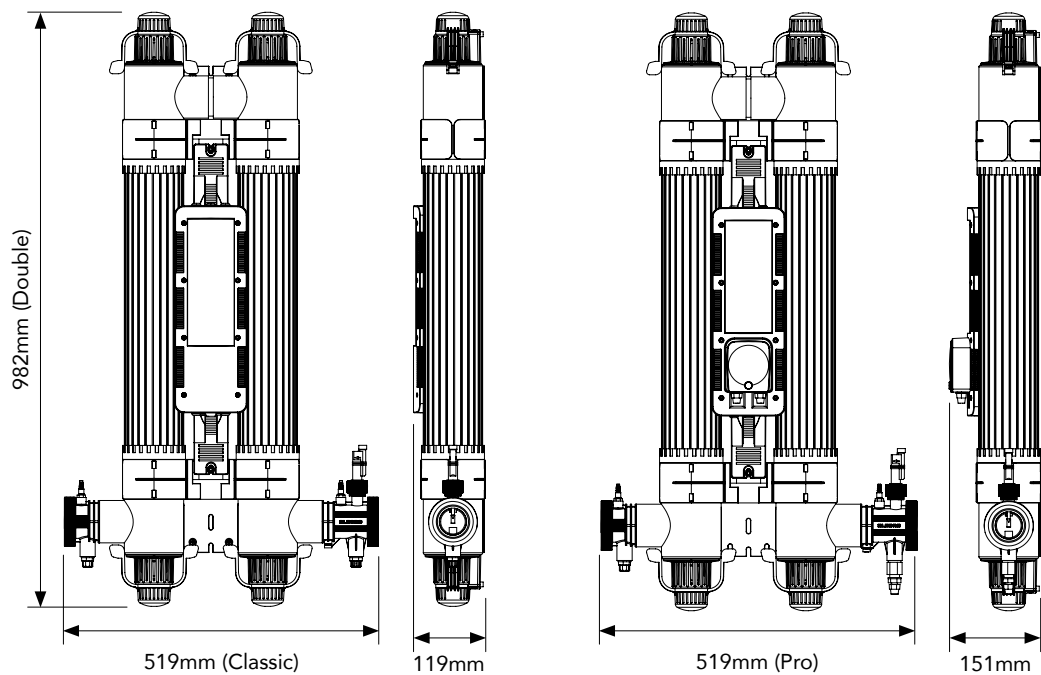
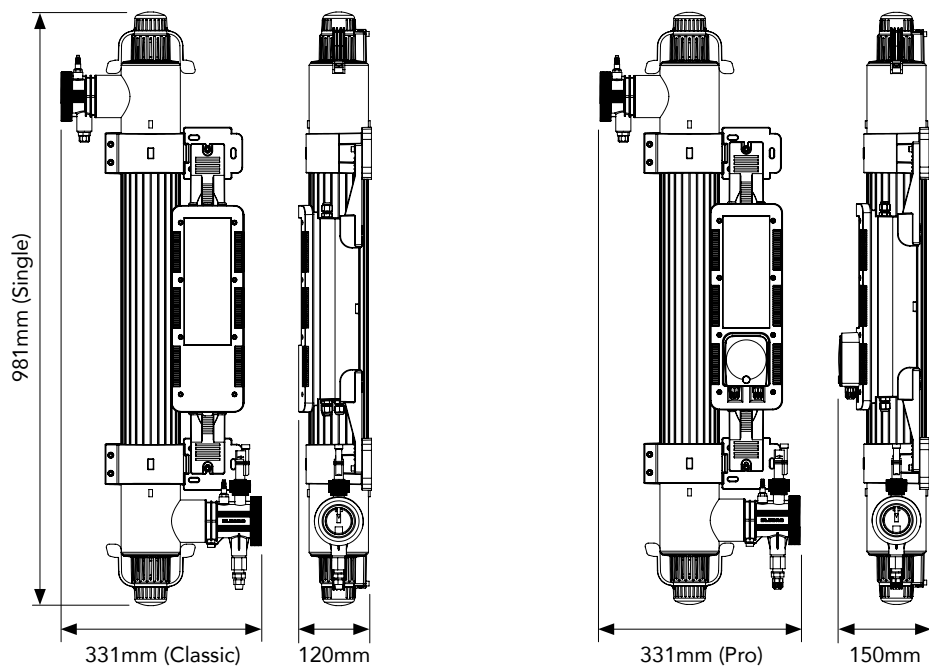
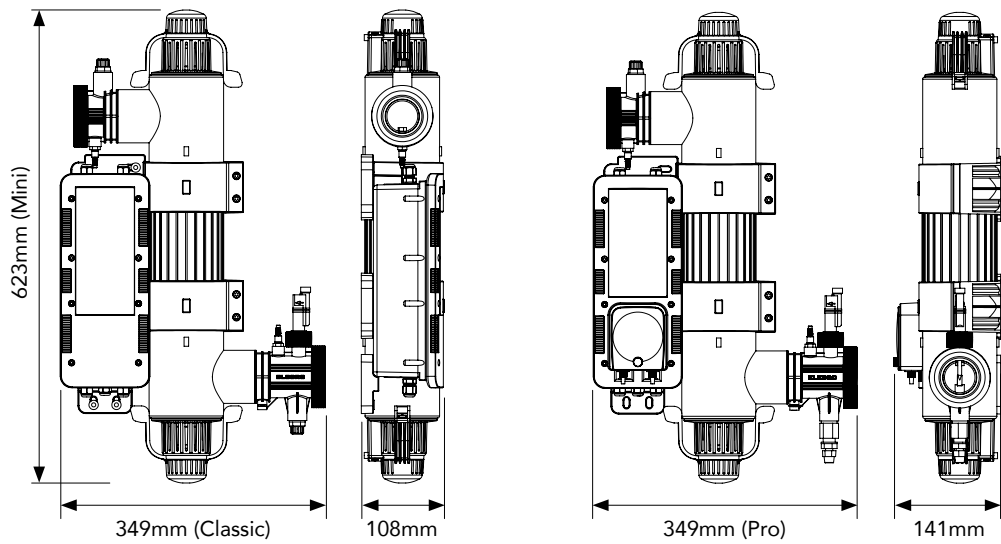
- Photocatalytic TiO₂/Mo oxidiser and clarifier
- Combined photocatalytic and hydroxyl radical oxidation with UV technology
- Eliminates contaminants, leaving water looking clean, fresh and crystal clear
- Reduces chemical consumption in the pool
- Keeps your family safe from dangerous microorganisms such as cryptosporidium, adenoviruses and naegleria fowleri
- Optional smart peristaltic dosing system for chlorine or hydrogen peroxide (Pro model only)
- Powerful disinfection and eliminates the smell of chlorine
- Average lamp life expectancy: Up to 2 years
- Equipped with intelligent lamp life indicator
- Sea and salt chlorinated water compatible
- Available in three sizes: Mini (35m³), Single (65m³) and Double (130m³)
- Models: Classic and Pro

MODELS

100~240V 1-PHASE	LAMP OUTPUT (W)	MAX. POOL VOL (m ³)*	FEATURES	NET WEIGHT (kg)	GROSS WEIGHT (kg)	GROSS VOL (m ³)	PRODUCT CODE**		
							UK PLUG	EURO PLUG	USA PLUG
Mini Classic	30	35	Flow switch, analogue lamp life indicator & reset switch	5.1700	7.0000	0.0639	Q-35-UK	Q-35-EU	Q-35-USA
Mini Pro	30	35	Flow switch, digital lamp life countdown & intelligent dosing pump	5.7700	7.6000	0.0639	QP-35-UK	QP-35-EU	QP-35-USA
Single Classic	55	65	Flow switch, analogue lamp life indicator & reset switch	7.2900	9.6800	0.0996	Q-65-UK	Q-65-EU	Q-65-USA
Single Pro	55	65	Flow switch, digital lamp life countdown & intelligent dosing pump	8.0900	10.4800	0.0996	QP-65-UK	QP-65-EU	QP-65-USA
Double Classic	110	130	Flow switch, analogue lamp life indicator & reset switch	12.1500	15.1500	0.1393	Q-130-UK	Q-130-EU	Q-130-USA
Double Pro	110	130	Flow switch, digital lamp life countdown & intelligent dosing pump	12.6500	15.6500	0.1393	QP-130-UK	QP-130-EU	QP-130-USA

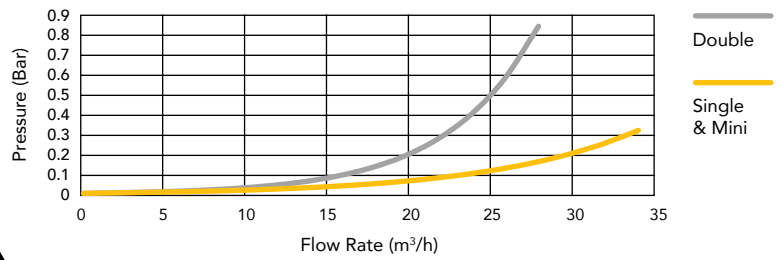
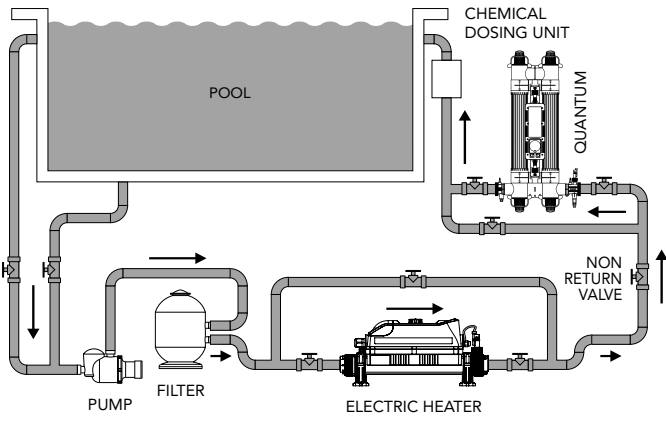
*Minimum filtration turnaround of three times per day. **For other plug types, please contact our sales team at sales@elecro.co.uk

TECHNICAL DRAWINGS



SYSTEM SETUP

PRESSURE DROP



SPECIFICATIONS

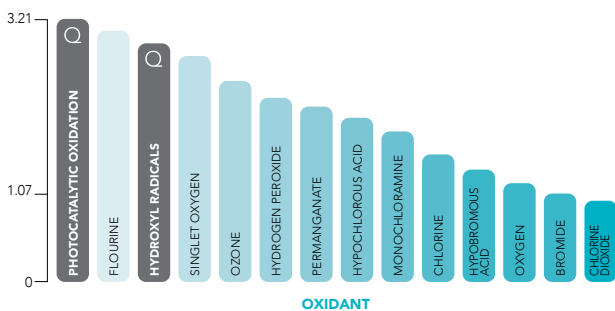
Power supply: Single Phase 100V ~ 240V
Min. flow rate: 1.5m³/h
Max. flow rate: **Mini:** 10,000 litres per hour; 10m³/h
Single: 14,000 litres per hour; 14m³/h
Double: 28,000 litres per hour; 28m³/h
Max. pool size: **Mini:** 35,000 litres; 35m³
Single: 65,000 litres; 65m³
Double: 130,000 litres; 130m³
Max. power consumption: **Mini:** 40W
Single: 64W
Double: 128W
Lamp: Low pressure/high output

Lamp life: Up to 9,000 hours
Dosing rate: Exceeds the equivalent of 30mj/cm² at maximum flow rate
Ingress protection rating: IP65
Frequency: 50/60 Hz
Working pressure: 3 Bar maximum
Water connections: 2"/63mm stepped ABS unions + reducers 1½"/50mm
Salt water: 100% chlorinated salt and sea water safe
Mounting: Vertical or horizontal wall mounting
Oxidisation processes: Quantum photocatalytic oxidiser (PCO) & hydroxyl radicals (HO)



OXIDISATION

OXIDATION STRENGTH (EV)



THE SCIENCE BEHIND PHOTOCATALYTIC OXIDATION (PCO)

