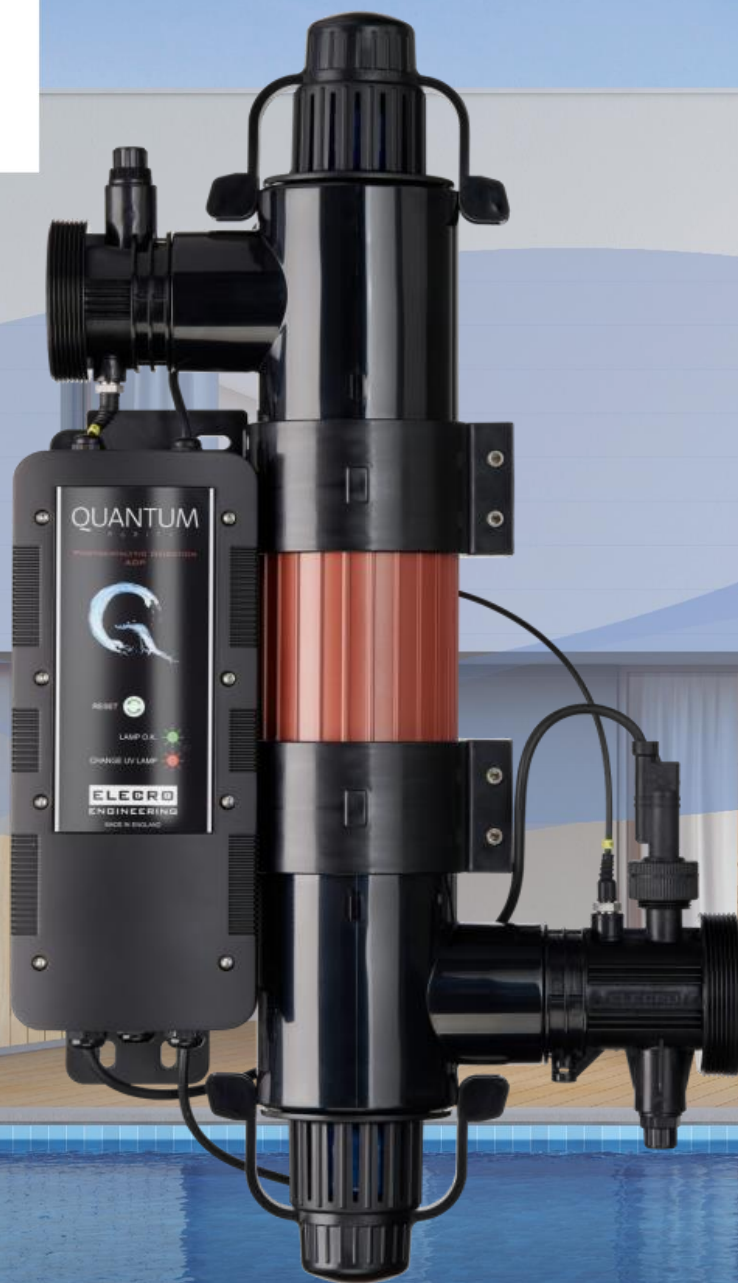


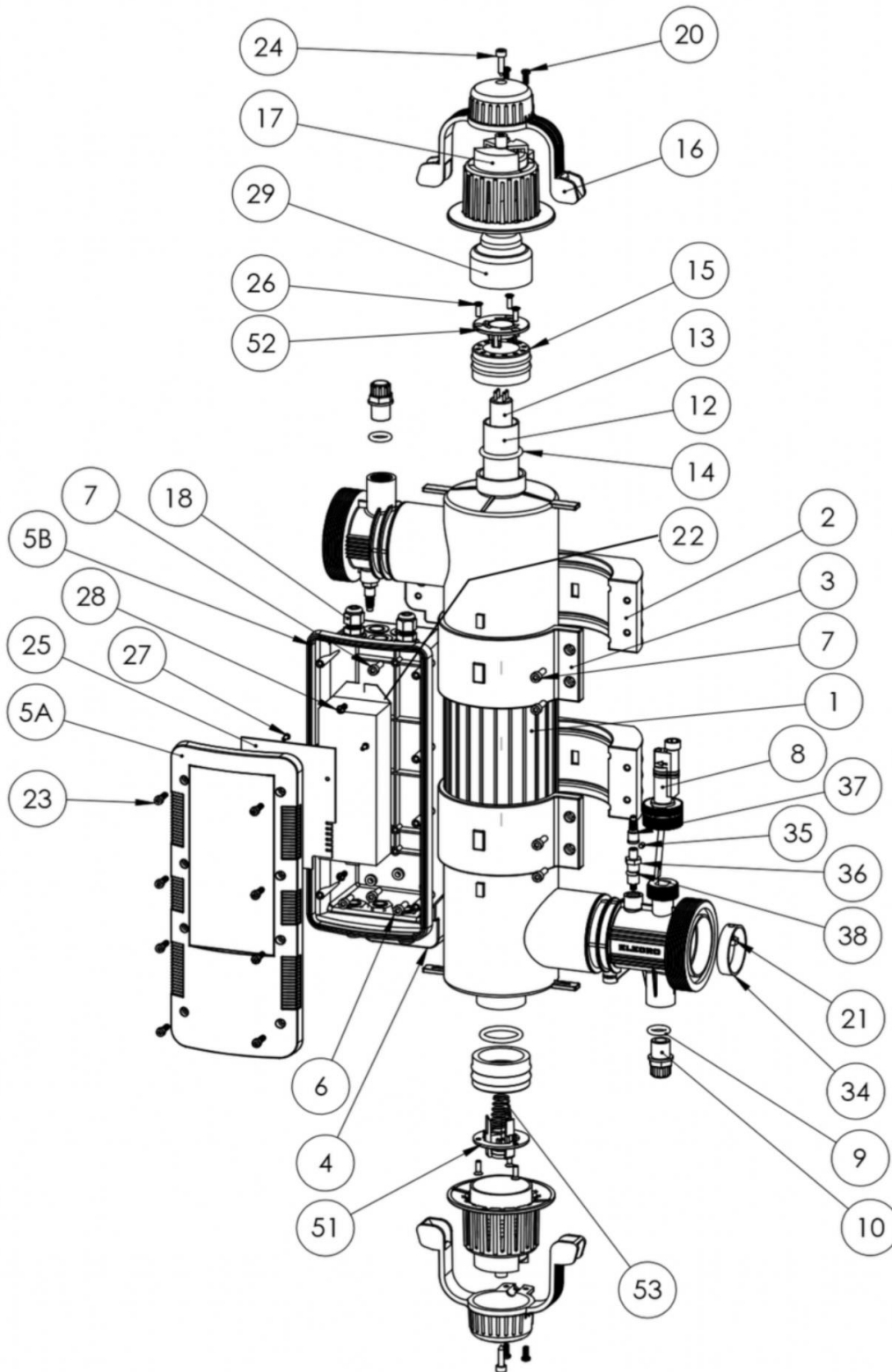
# MINI QUANTUM

## SPARE PART LISTS



**ELECTRO**  
ENGINEERING

# Mini Quantum - Classic



Item No.:	Description:	Pcs/Unit Q-35	Electro Part Number for Q-35
1	Mini Quantum Replacement Body Assembly (Complete with Titanium reflector and T-Piece)	1	SP-UV-B-Q-35
2	Rear Mounting Bracket	2	Z-IM-UV-ST-RB
3	Front Mounting Bracket	2	Z-IM-UV-ST-FB
4	Mini Quantum Wall Mounting Bracket	2	Z-M-UV-M-WMB
5A	Mini Quantum Front Cover	1	Z-IM-UV-M-FC
5B	Mini Quantum Rear Enclosure	1	Z-IM-UV-M-ENC
6	M5 Flat Form C Washer A2	2	Z-FIX-M5FCW
7	POD Fixing Screw	2	Z-FIX-M4.8X19STS-SC
8	Flow Switch	1	SP-107-UV-B
9	Blanking Cap O-Ring Seal	2	Z-ORS-SR-PC-S
12	Mini Quantum Quartz Sleeve	1	SP-UV-QS-30
13	Mini Quantum UV Lamp	1	SP-UV-LAMP-30
14	Quartz Sleeve O-Ring Seal	2	SP-UV-ORS
15	Quartz Sleeve Locking Nut	2	SP-UV-LNUT
16	UV Lamp Holder Clip	2	Z-IM-UV-LH-CLIP
17	UV Lamp Holder Hard Cap	2	Z-IM-UV-LH-CAP
18	PG7 Entry Gland	6	Z-CON-CEG-PG7BK
20	Lamp Lead Clamp Pozi Pan Screw	4	Z-FIX-M4X14
21	Current Collector Hex Nut	2	Z-FIX-M5HEX
22	Electronic ballast	1	SP-UV-BB-30
23	Enclosure Fixing Screw	6	Z-FIX-M4X16-SC-ST
24	Lamp Holder Clip Screw	2	Z-FIX-M4.8X19STS-SC
25	Quantum Maintenance Timer PCB	1	SP-PCB-UV-Q-DV
26	Bracket Screw	6	Z-FIX-M4X14
27	PCB Fixing Screw	5	Z-FIX-M3X8-BLK
28	Ballast Fixig Screw	2	Z-FIX-M4X14
29	Lamp Lead Connection	2	SP-UV-LLL-S
30	Large Union O-Ring Seal	2	SP-122-ORS
31+ 32	Union Socket 2"/ 63mm	2	SP-122
	Union Nut		
33	Union Reducer 1½"/ 50mm	2	SP-UV-R
34	10mm / 44.5mm OD Stainless Steel Ring	2	Z-TUB-SS44.5X10
35	Current Collector Grub Screw	2	Z-FIX-M4X4GS
36	Current Collector Pin (316 S/S)	2	Z-UV-CC-PIN
37	UV Current Collector Rubber Boot	2	Z-UV-CC-RB
38	UV Current Collector 'O' Ring	2	Z-ORS-UV-CC
39	UV Blanking Plug	2	Z-IM-UV-BP
51	Mini UV Lamp Retaining Cap - Closed	1	Z-SMW-UV-LRC-C
52	Mini UV Lamp Retaining Cap - Open	1	Z-SMW-UV-LRC-O
53	Mini UV Spring	1	Z-UV-M-S